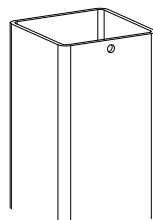
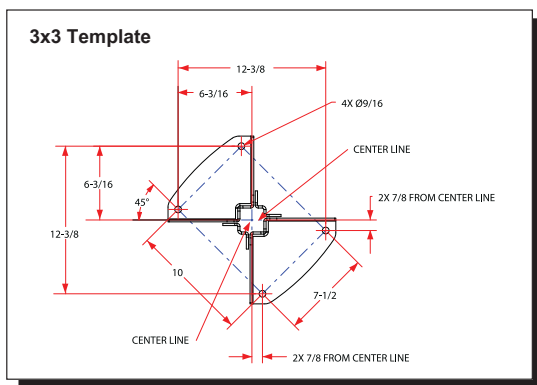


ergotron®

Command Post

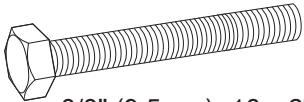


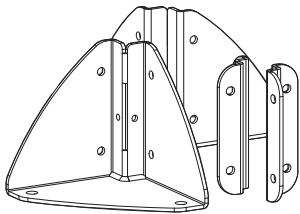
Components





3x3
(76.2 mm)

8x  3/8" (9.5mm) -16 x 1" (25.4mm) Hex Head Screws for 2x2 Posts only


8x  3/8" (9.5mm) -16 x 2" (50.8mm) Hex Head Screws For 3x3 and 4x4 Posts only



8x  1" (25.4mm) Plastic Spacer for 3x3 and 4x4 Posts only

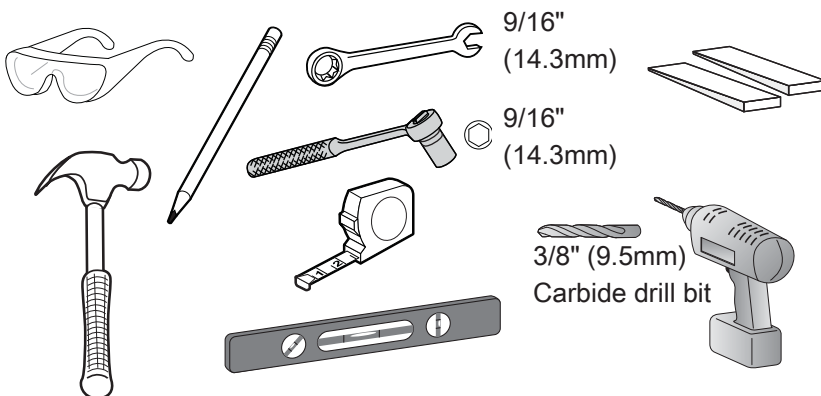
8x  3/8" (9.5mm)-16 Hex Nut

8x  3/8" (9.5mm) Flat Washer

8x  3/8" (9.5mm) Split Lock Washer



Tools Needed

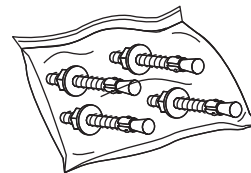


9/16" (14.3mm)

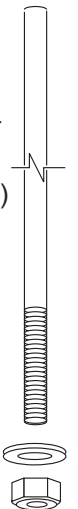
9/16" (14.3mm)

3/8" (9.5mm) Carbide drill bit

Floor application only - optional Ergotron Concrete Anchor Kit



4x Ceiling application only - 1/2" (12.7mm) Anchor Rods - customer supplied



For the latest User Installation Guide please visit: www.ergotron.com

www.ergotron.com | USA: 1-800-888-8458 | Europe: +31 (0)33-45 45 600 | China: 400-120-3051 | Japan: japansupport@ergotron.com

1

DETERMINE MOUNTING LOCATION

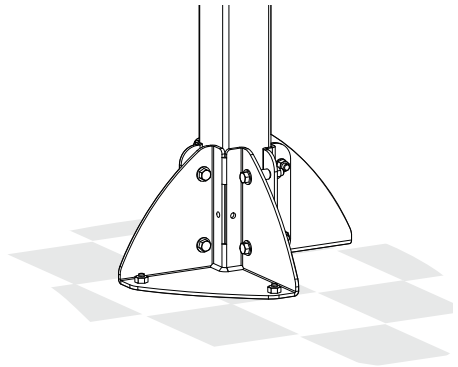
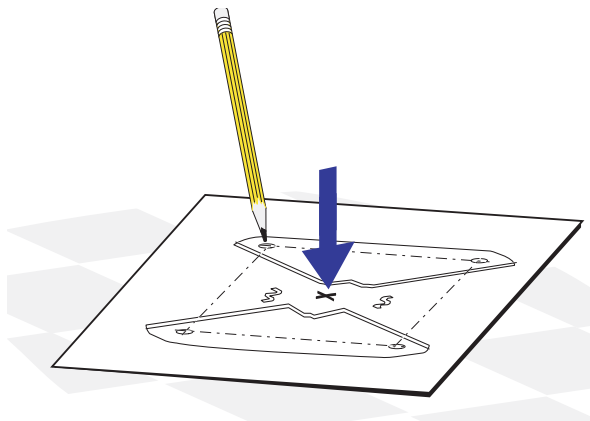
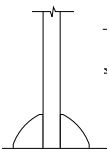
⚠ WARNING

The Support Base must be securely installed to ensure safety. Since Ergotron has no control over the type of floor, ceiling, wall and/or ultimate mounting method, the user assumes all responsibility for this aspect of the installation. If you have any questions in regard to your mounting system, see your building contractor.

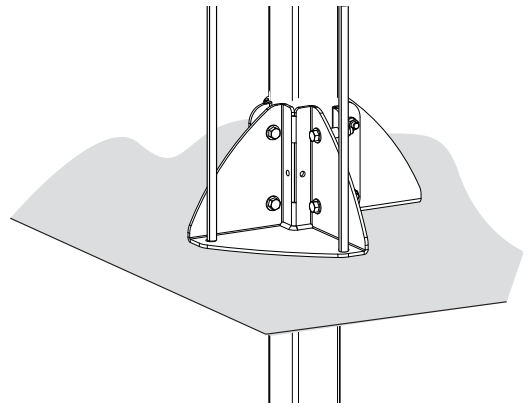
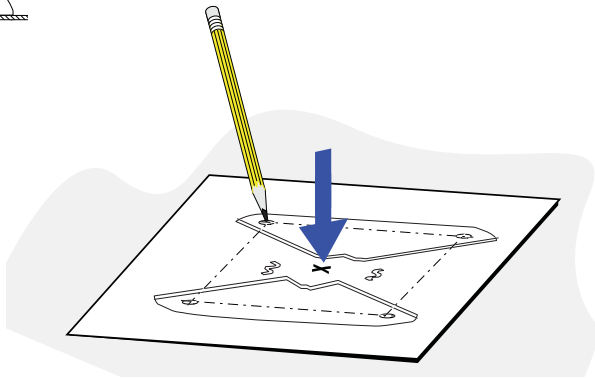
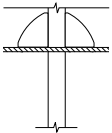
Template

Mark four mounting holes

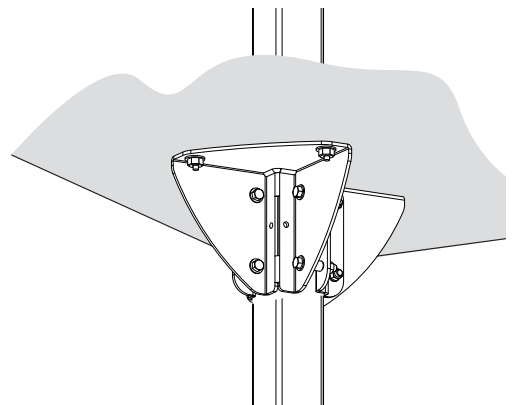
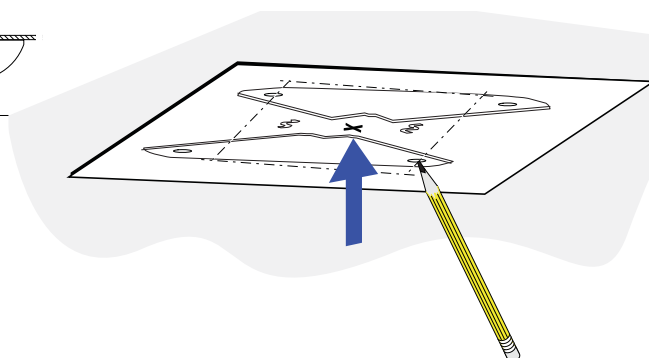
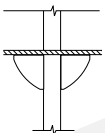
Floor



Above Ceiling

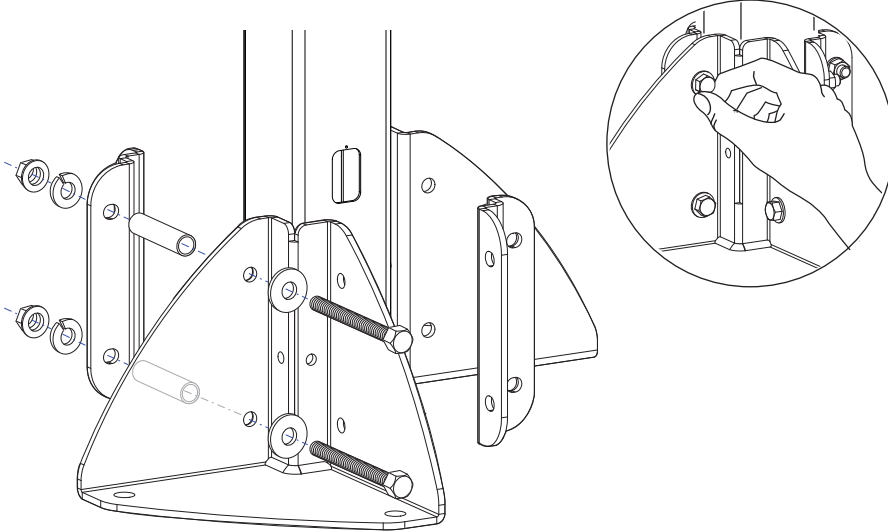


Below Ceiling



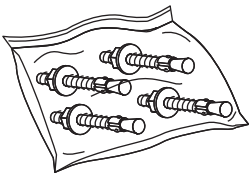
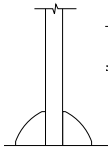
2

ASSEMBLE SUPPORT BASE



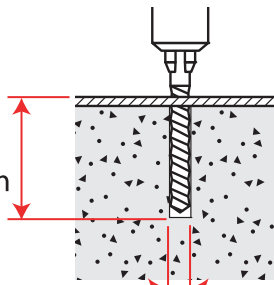
3

MOUNT BASE - Floor

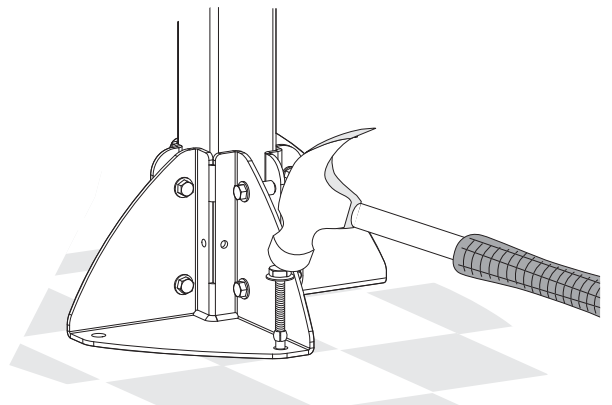
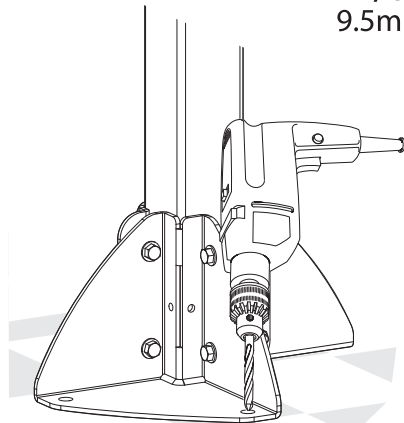
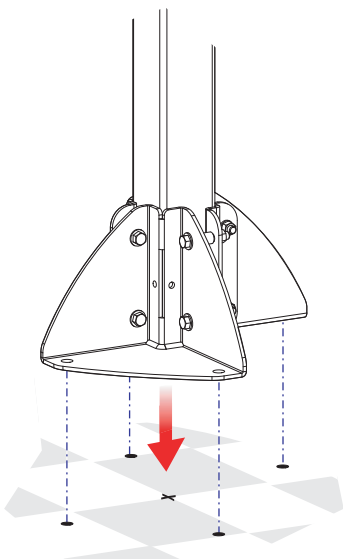
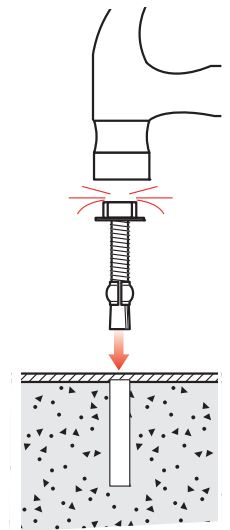


Typical Floor Configurations using optional Ergotron Concrete Anchor Kit

3"
76.2mm



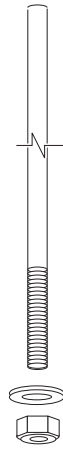
3/8"
9.5mm



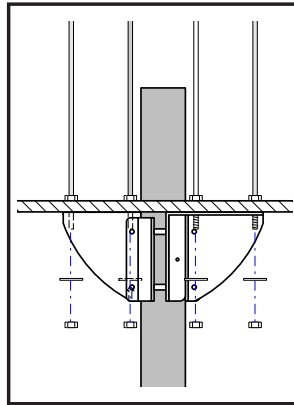
3

MOUNT BASE - Ceiling

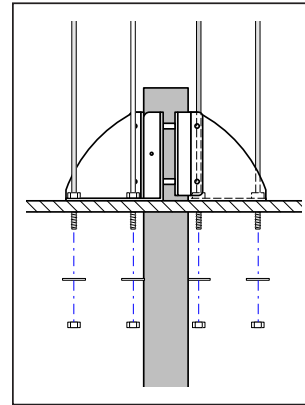
4x



Below ceiling

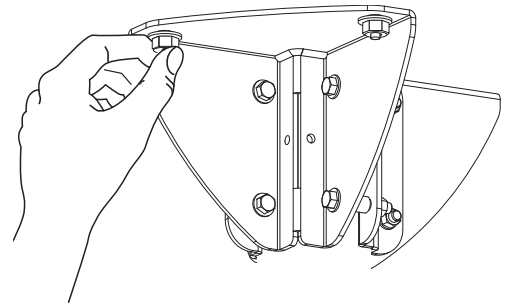
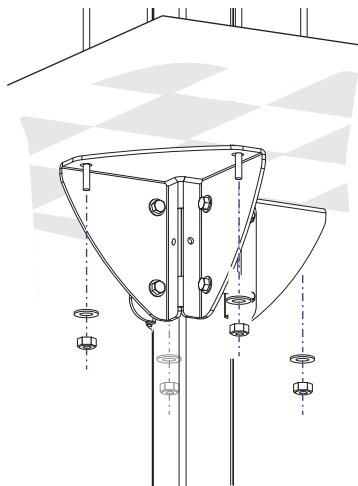
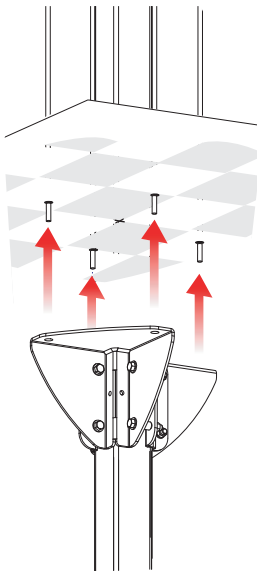


Above ceiling

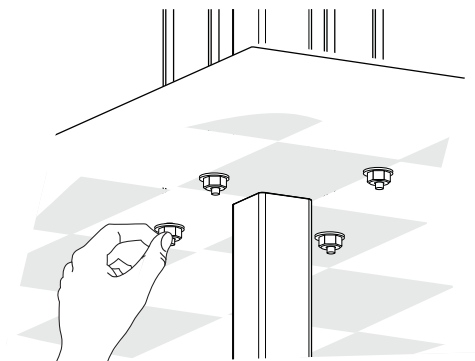
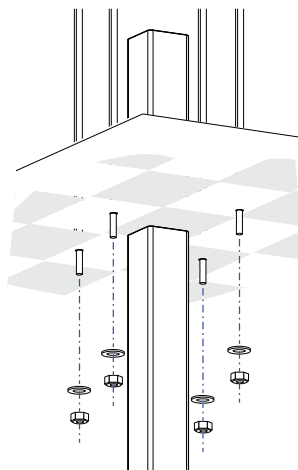
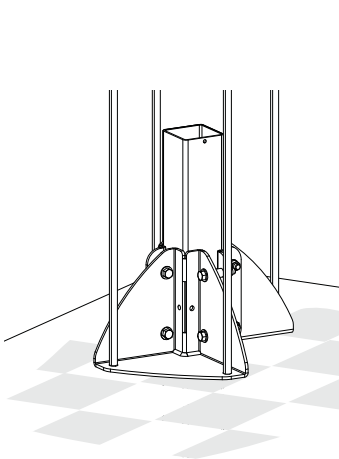


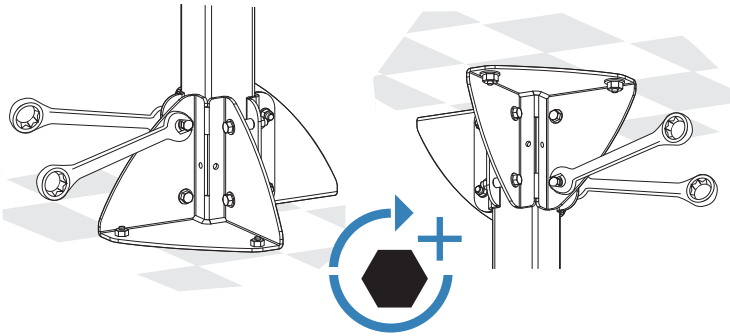
Typical Ceiling Configurations using customer supplied 1/2" (12.7mm) Anchor Rods

Below ceiling

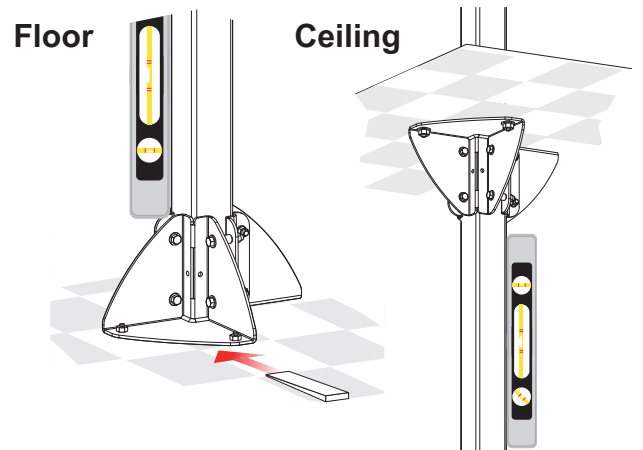
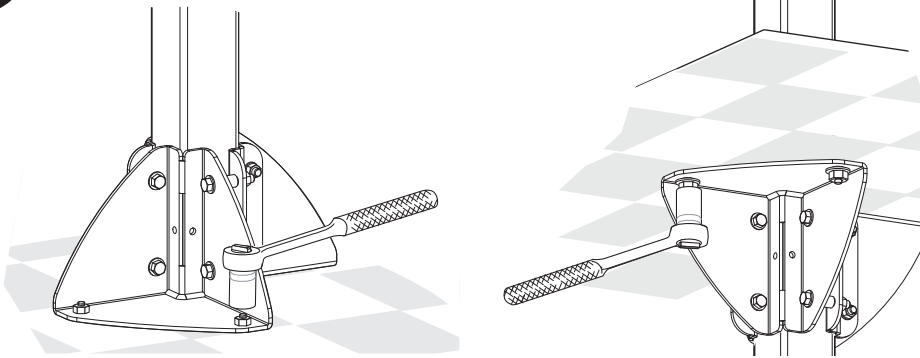


Above ceiling

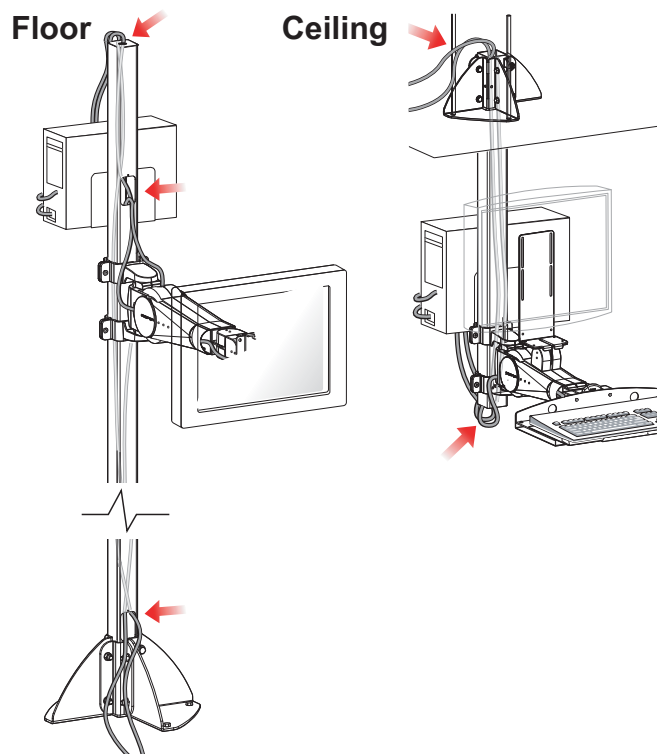


4**TIGHTEN BASE AROUND POST**

400 lb force-inch
 (33 lb force-foot)
 (45 newton-meters)

5**PLUMB UP THE POST****6****SECURE BASE TO SURFACE**

300 lb force-inch
 (25 lb force-foot)
 (34 newton-meters)

7**MOUNT EQUIPMENT AND ROUTE CABLES**

ergotron®

For Warranty visit: www.ergotron.com/warranty

For Service visit: www.ergotron.com

For local customer care phone numbers visit: <http://contact.ergotron.com>

www.ergotron.com | USA: 1-800-888-8458 | Europe: +31 (0)33-45 45 600 | China: 400-120-3051 | Japan: japansupport@ergotron.com

© 2009 Ergotron, Inc. All rights reserved.

While Ergotron, Inc. makes every effort to provide accurate and complete information on the installation and use of its products, it will not be held liable for any editorial errors or omissions (including those made in the process of translation from English to another language), or for incidental, special or consequential damages of any nature resulting from furnishing this instruction and performance of equipment in connection with this instruction. Ergotron, Inc. reserves the right to make changes in the product design and/or product documentation without notification to its users. For the most current product information, or to know if this document is available in languages other than those herein, please contact Ergotron. No part of this publication may be reproduced, stored in a retrieval system, or transmitted in any form or by any means, electronic, mechanical, photocopying, recording or otherwise without the prior written consent of Ergotron, Inc., 1181 Trapp Road, Eagan, Minnesota, 55121, USA Patents Pending and Patented U.S. & Foreign. Ergotron is a registered trademark of Ergotron, Inc.