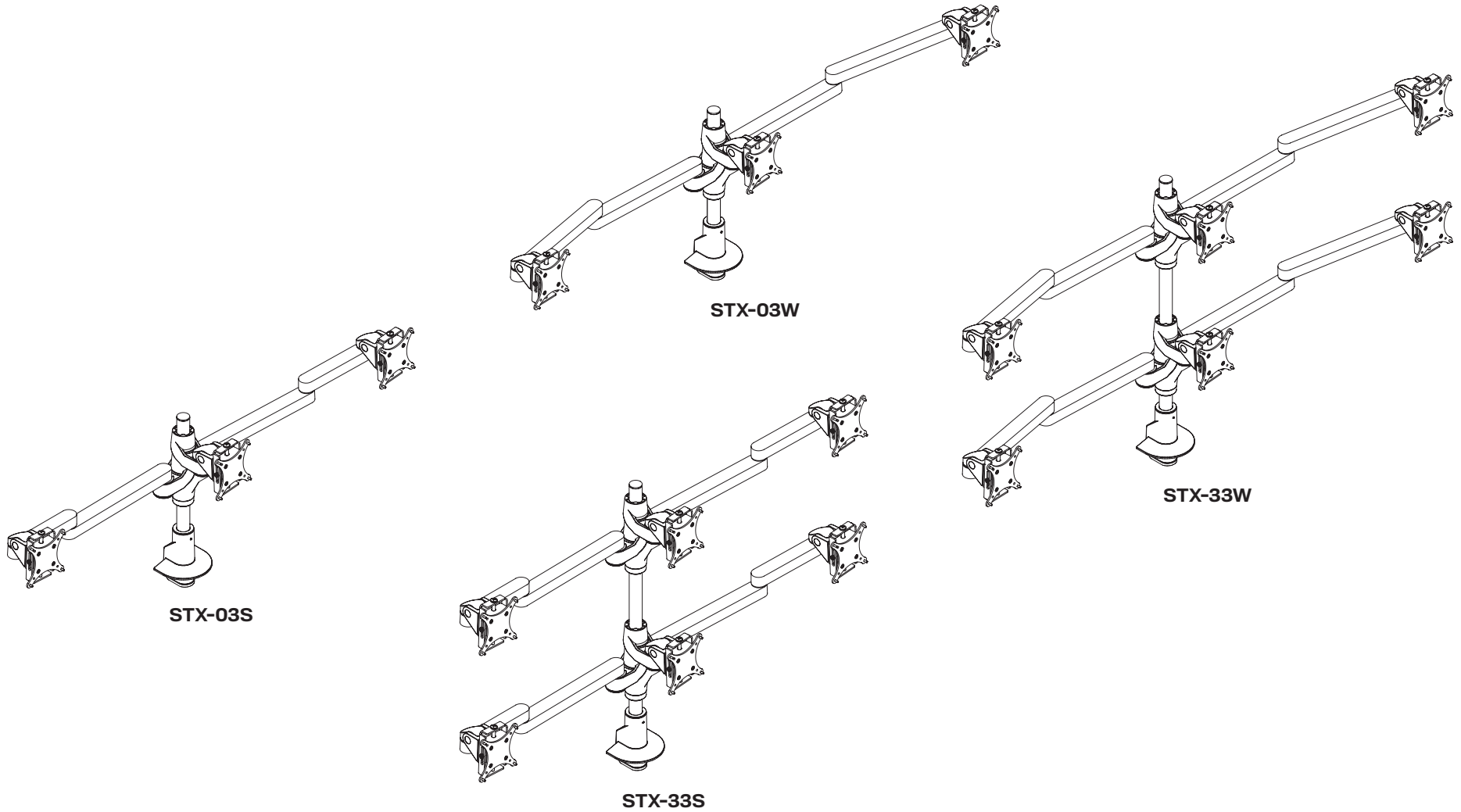
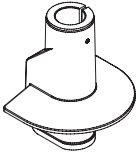
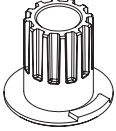
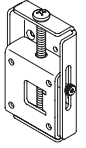

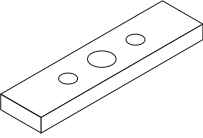

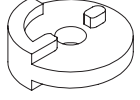
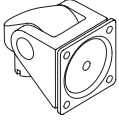
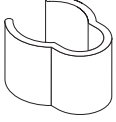


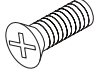
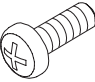



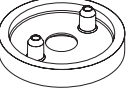
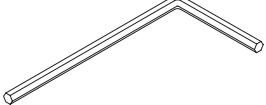
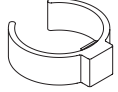


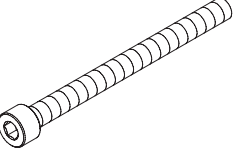


STAXX™

Installation Instructions

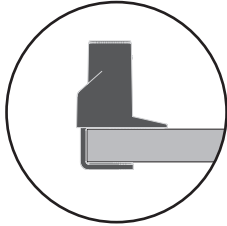


PARTS LIST

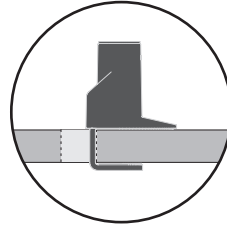
<p>A Top Down Mount 8524</p> 	<p>F Bushing Adapter 112945</p> 	<p>K Height Adjust Adapter 8473</p> 	<p>P Pole Cap 105195</p> 	<p>U* Spacer 701544</p> 
<p>B Dimpled Pole 110607-14</p> 	<p>G Rotation Stop for Extension Arms 113703</p> 	<p>L Monitor Tilter 405397</p> 	<p>Q Cable Clip 104533</p> 	<p>V* Lock Nut 710015</p> 
<p>C Stackable Mount 413054</p> 	<p>H 10-32 x 5/8" Phillips Pan Head Screw 702200</p> 	<p>M M4 x 12mm PhPHS (4-pack) 702096</p> 	<p>R 3/32" Allen Wrench 700146</p> 	
<p>D Pole Collar 113332</p> 	<p>I 10-32 x 3/8" PhPHS (4-pack) 702281</p> 	<p>N Dog Washer 105189</p> 	<p>S 7/32" Allen Wrench 701127</p> 	
<p>E Pole Clip 113449</p> 	<p>J 75/100mm VESA Adapter 105587</p> 	<p>O 10-32 x 3/8" FPHMS w/Lock Patch 705198</p> 	<p>T* M8 x 95mm SCHS 716061</p> 	

DESK CLAMP CONFIGURATION

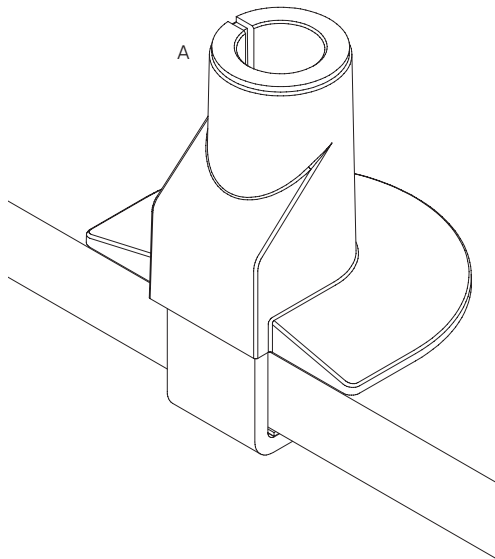
1



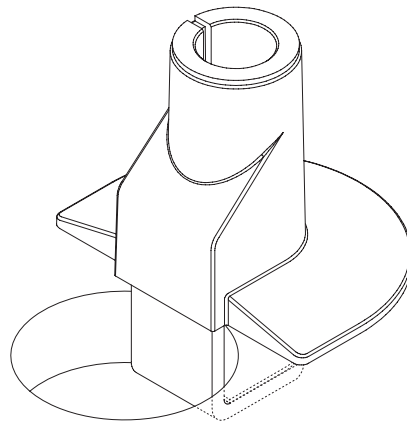
Desk thickness
up to 1.5" (3.8 cm)



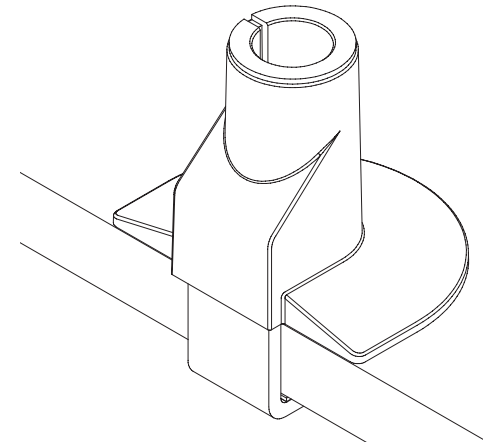
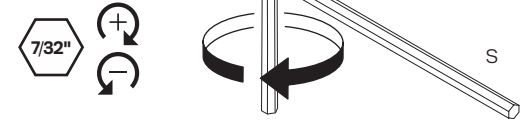
Desk thickness
up to 1.5" (3.8 cm)



OR



2



i If the monitor arm or pole does not easily fit into the mount, remove the bushing from the mount and place it on the monitor arm or pole and press firmly back into the mount.

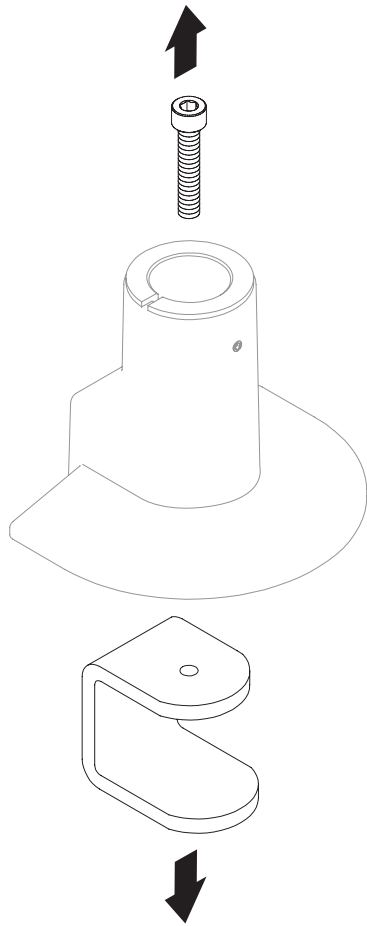
2a

2b

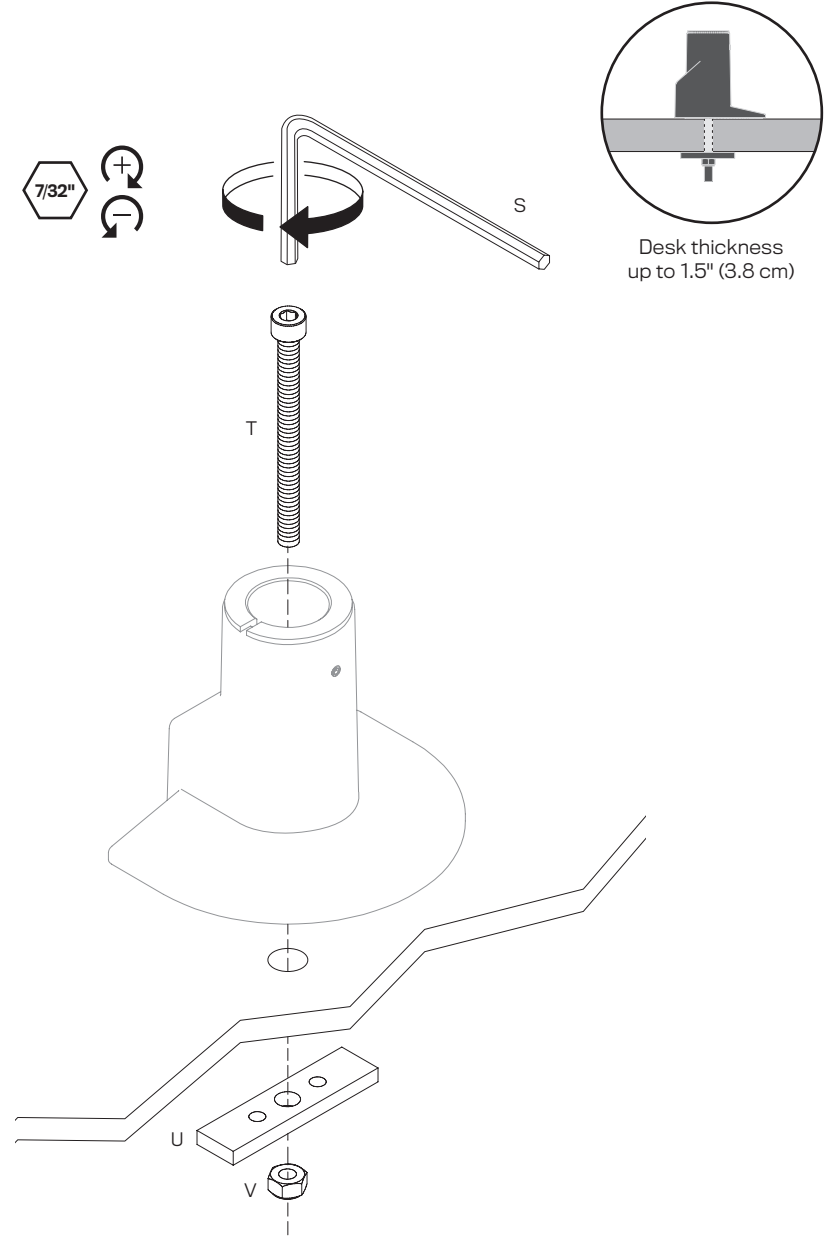
2c

THRU-DESK CONFIGURATION*

3

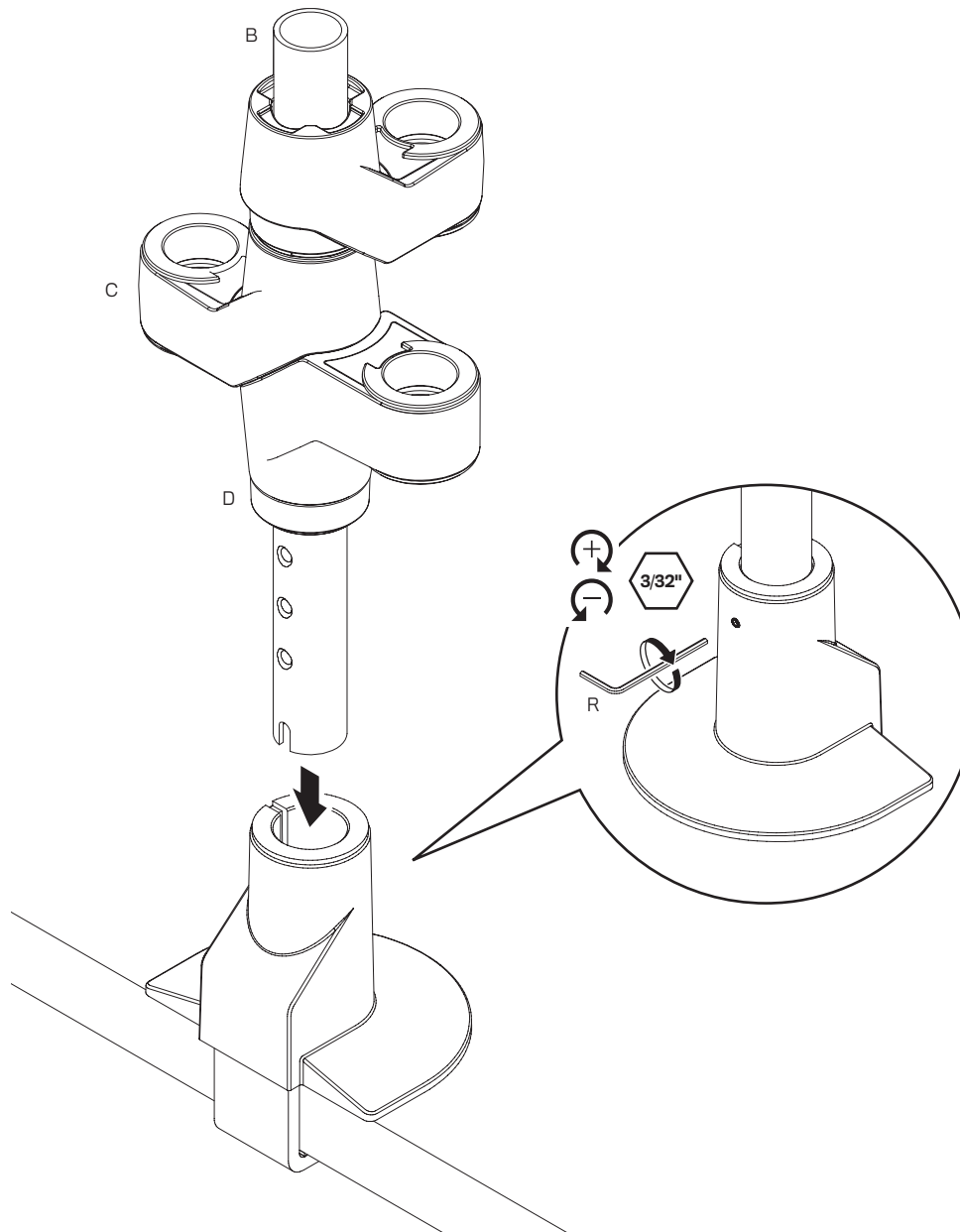
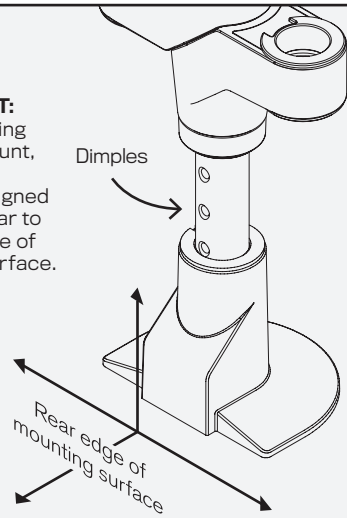


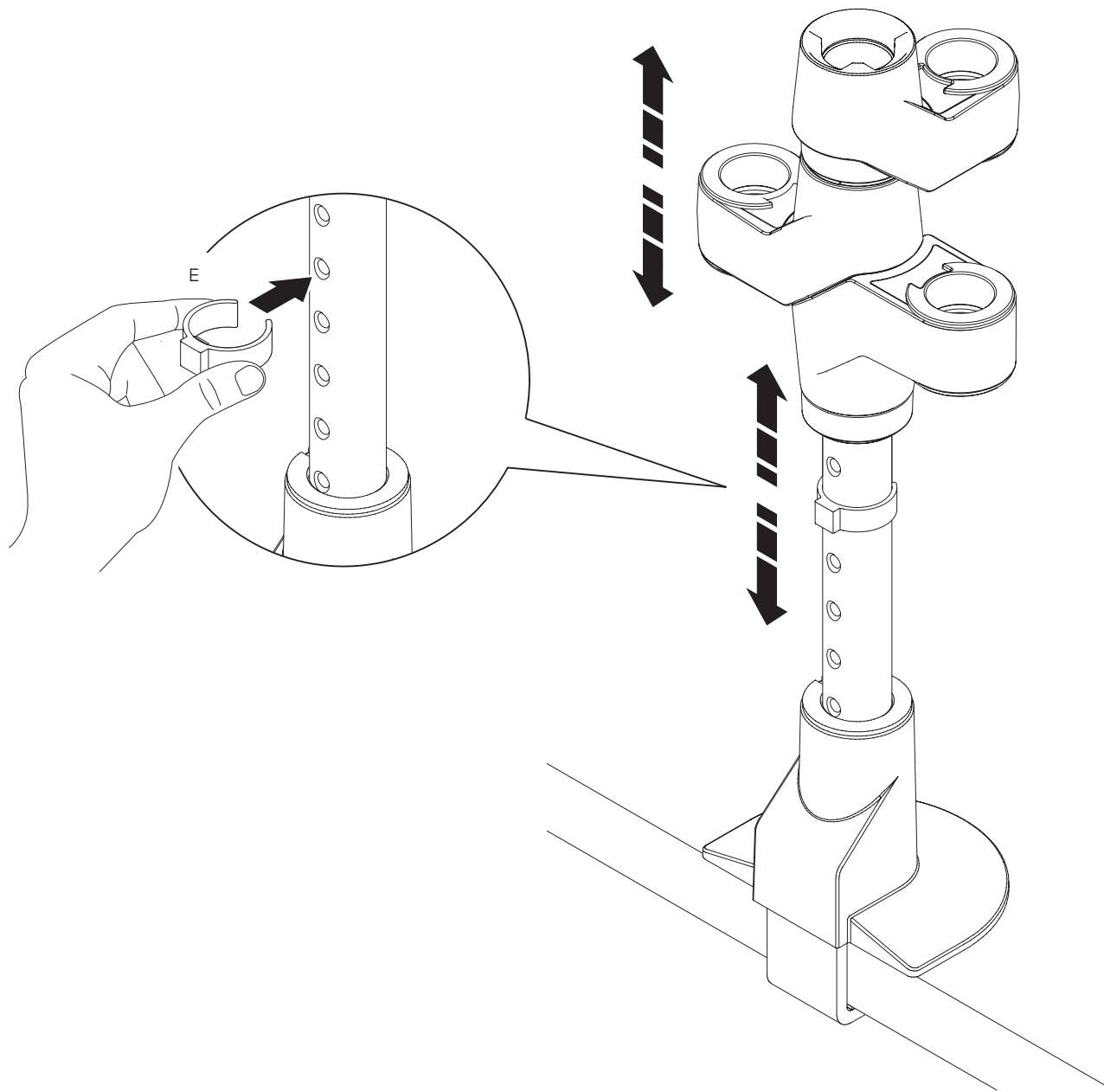
4



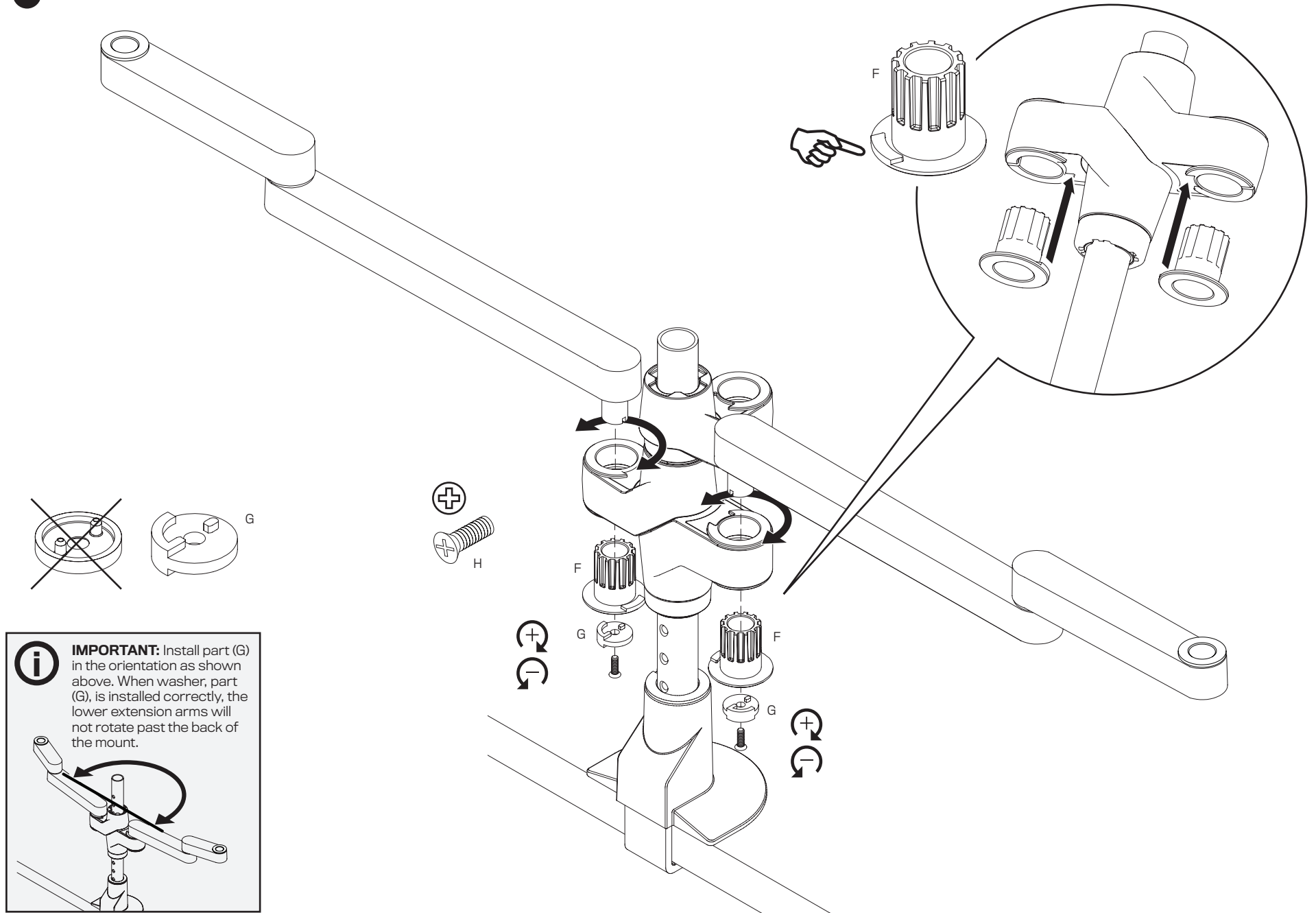


IMPORTANT:
When inserting
pole into mount,
the dimples
should be aligned
perpendicular to
the rear edge of
mounting surface.

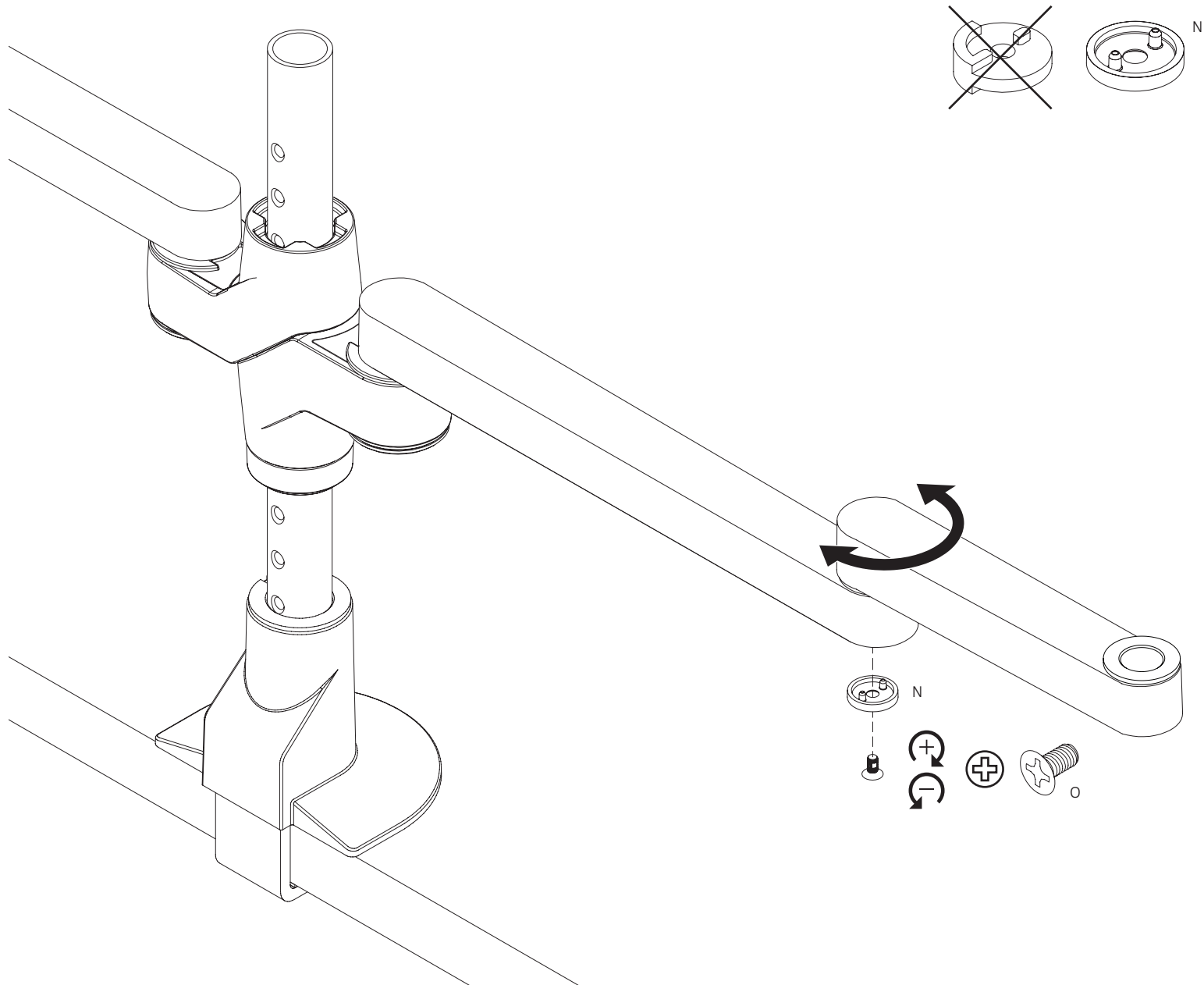




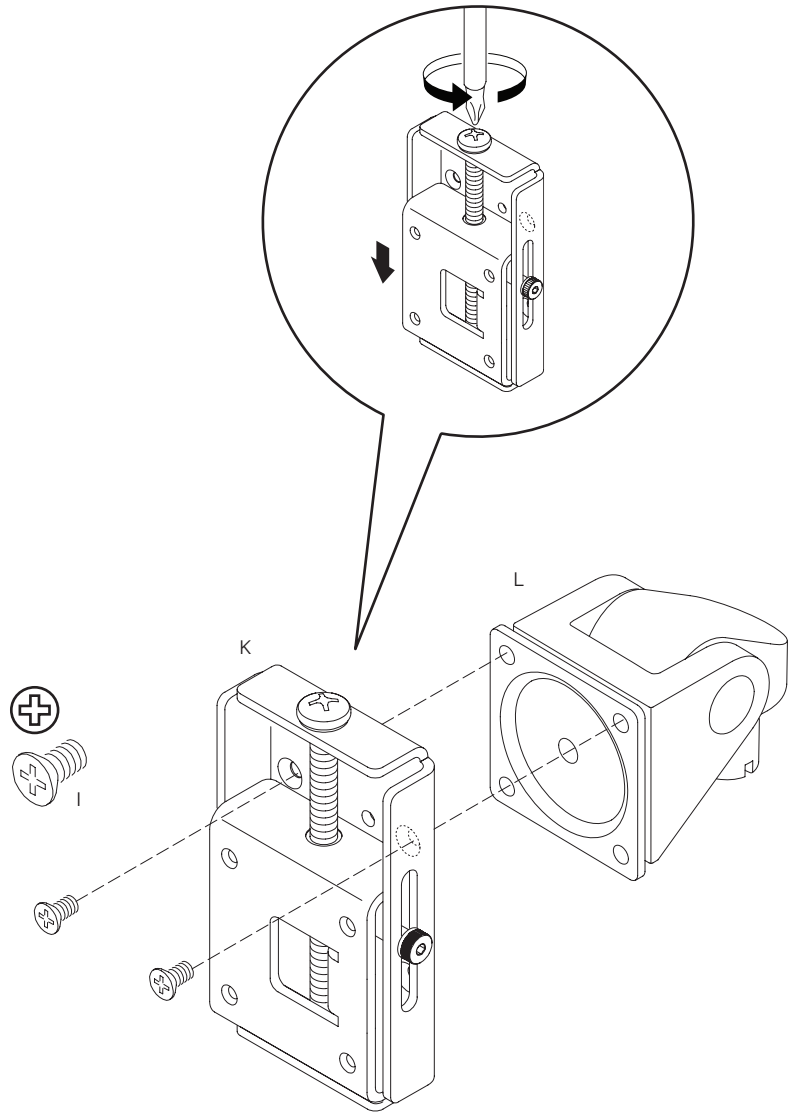
7



i **IMPORTANT:** Install part (G) in the orientation as shown above. When washer, part (G), is installed correctly, the lower extension arms will not rotate past the back of the mount.



9



10

