

# MONITOR STAND - 9109-S | 9109-D

MONITOR ARMS



# SPACE-SAVING MONITOR STAND.

The 9109 Monitor Stand allows the user to easily adjust the monitor height and angle. The 90 degree rotating pivot features allows the user to view the monitor in either landscape or portrait format.



## FEATURES

- **Instant set up:** Free-standing base allows for instant setup.
- **Productive:** Available as single monitor or dual monitor mount.
- **Compatible:** 75mm and 100mm VESA adapter plates included.

## SPECIFICATIONS

### Finishes

 Vista Black  
104

### Dimensions

Pole Height: 14", 28"

Base: 9.5"W x 10.5" L

Weight Capacity: Up to 45 lbs. per monitor

### Part Numbers

9109-S-104 (single tier)

9109-D-104 (dual tier)

## WARRANTY

10 years



Freestanding base



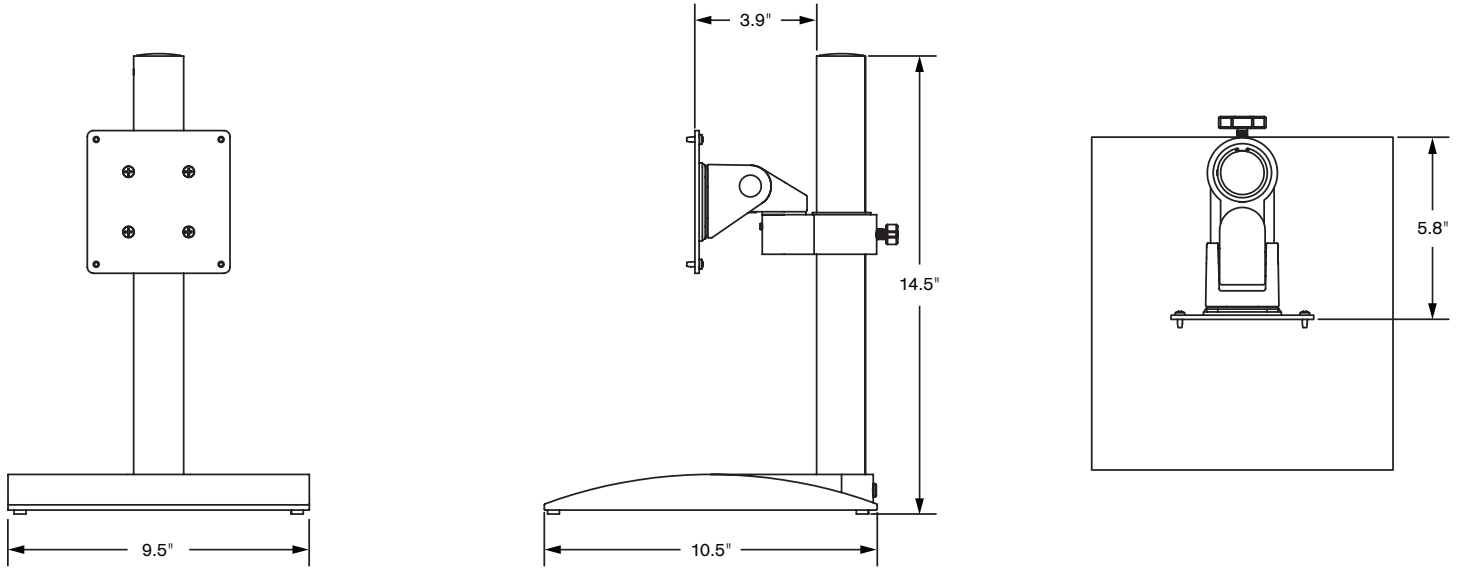
Independent monitor adjustment



Cable management

CAPABILITIES

9109-S



9109-D

