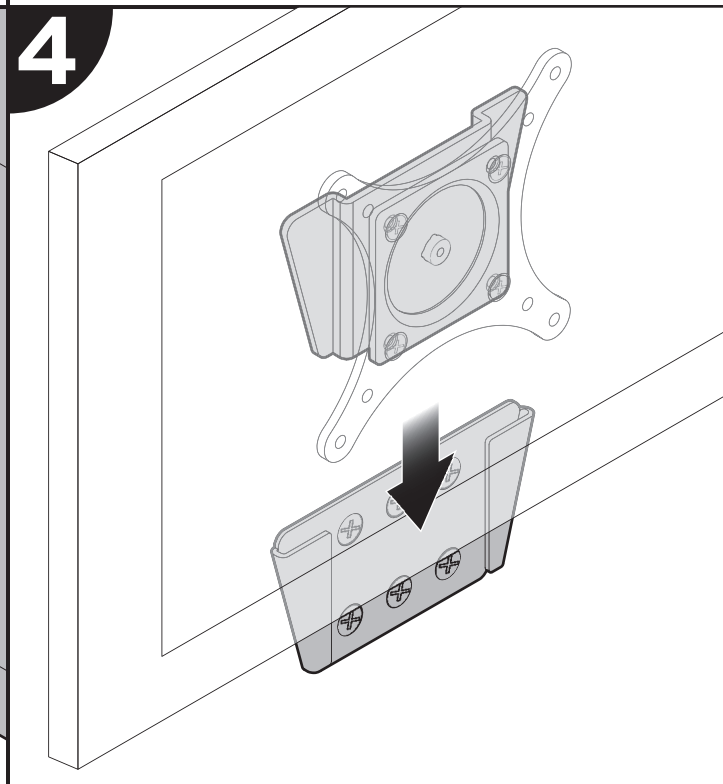
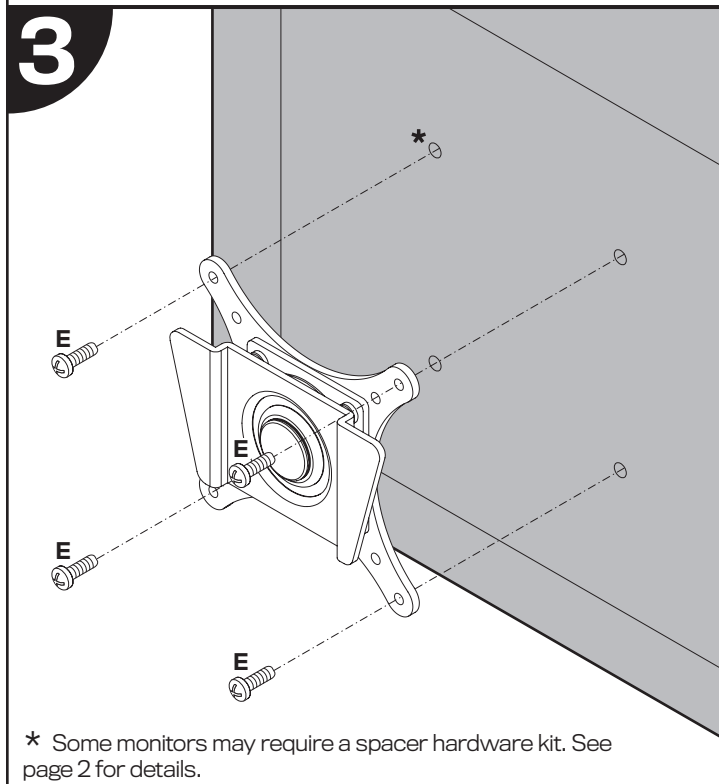
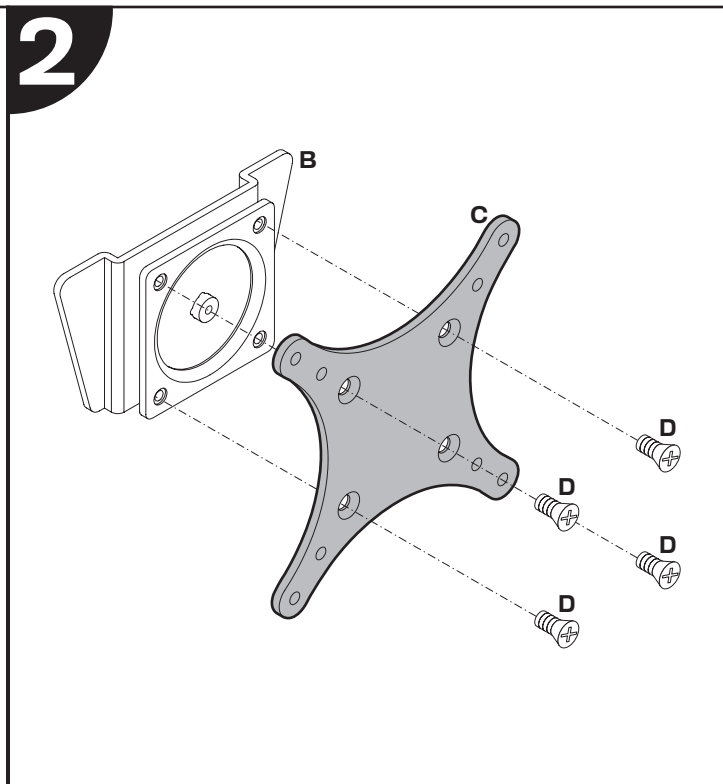
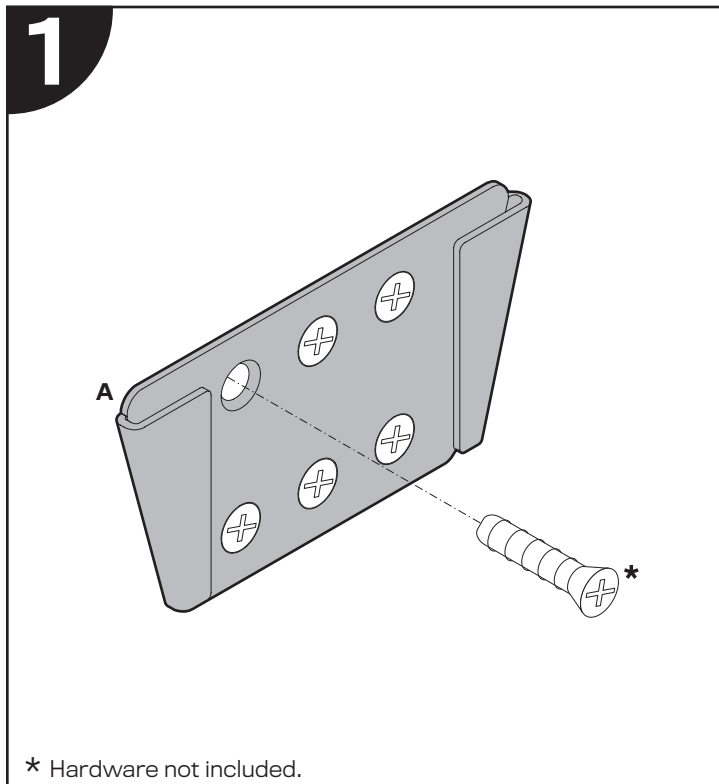
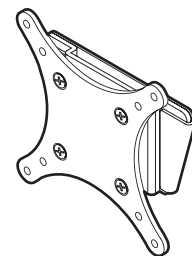
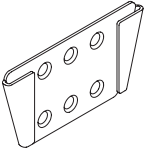
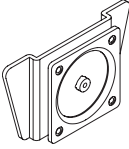

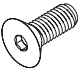



Innovative Ergonomic Solutions companies

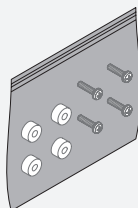
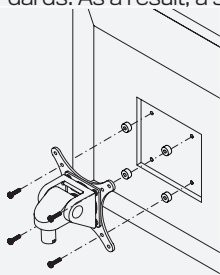
MODEL 9135



MODEL 9135

ITEM	DESCRIPTION / PART NO.	QUANTITY
A 	Wall Bracket 104376	1
B 	Monitor Plate 104381	1
C 	75/100mm VESA® Adapter Plate 105587	1
D 	10-32 x 3/8" Phillips Flat Head Screw 702281	1 (4-pack)
E 	M4 x 12mm Phillips Pan Head Screw 702096	1 (4-pack)

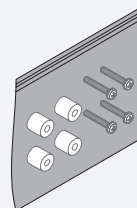
OPTIONAL SPACER KITS In some cases, the mounting surface on your monitor may be recessed further than permitted by VESA® standards. As a result, a spacer kit may be required.



.25" Spacer Hardware Kit

(4) .25" Spacers
 (4) M4 x 18mm Phillips Pan Head Screws

Order # P404923-B



.5" Spacer Hardware Kit

(4) .5" Spacers
 (4) M4 x 25mm Phillips Pan Head Screws

Order # P404923-C