



# WINSTON DESK®

DESKTOP CONVERTERS

innovative™  
design works

# HASSLE-FREE ERGONOMICS.

The Winston Desk is an ultra-easy sit-stand solution featuring a display surface and retractable keyboard desk. Winston Desk ships fully assembled and ready-to-use; just set it on top of your desk and you're ready to work. The Winston Desk is also available in a corner model, ideal for cubicle corners or L-shaped desks.



## FEATURES

- **Easy:** Ships fully assembled, no installation required.
- **Ergonomic:** Adjustable positioning allows for an active, healthy work environment.
- **Customizable:** Upper surface has a .5" bolt-thru hole for mounting an optional monitor arm.
- **Adjustable:** Dual-handle design puts effortless operation at your fingertips.

## SPECIFICATIONS

### Finishes



Black

### Part Numbers

WNST2-DESK-36 (Winston Desk)

WNST2-DESK-36-CRN (Winston Desk Corner)

### Winston Desk Dimensions

Upper Worksurface: 36.2" W x 23.6" D  
 Lower Worksurface: 24.8" W x 9.4" D  
 Base: 31.93" W x 23.74" D  
 Height Adjustment Range: 5.71" to 19.29"  
 Weight Capacity: Up to 35 lbs.

### Winston Desk Corner Dimensions

Upper Worksurface: 36" W x 24" D  
 Lower Worksurface: 30.1" W x 9.7" D  
 Base: 20.1" W x 24" D  
 Height Adjustment Range: 5.71" to 19.29"  
 Weight Capacity: Up to 35 lbs.



Corner desk option available



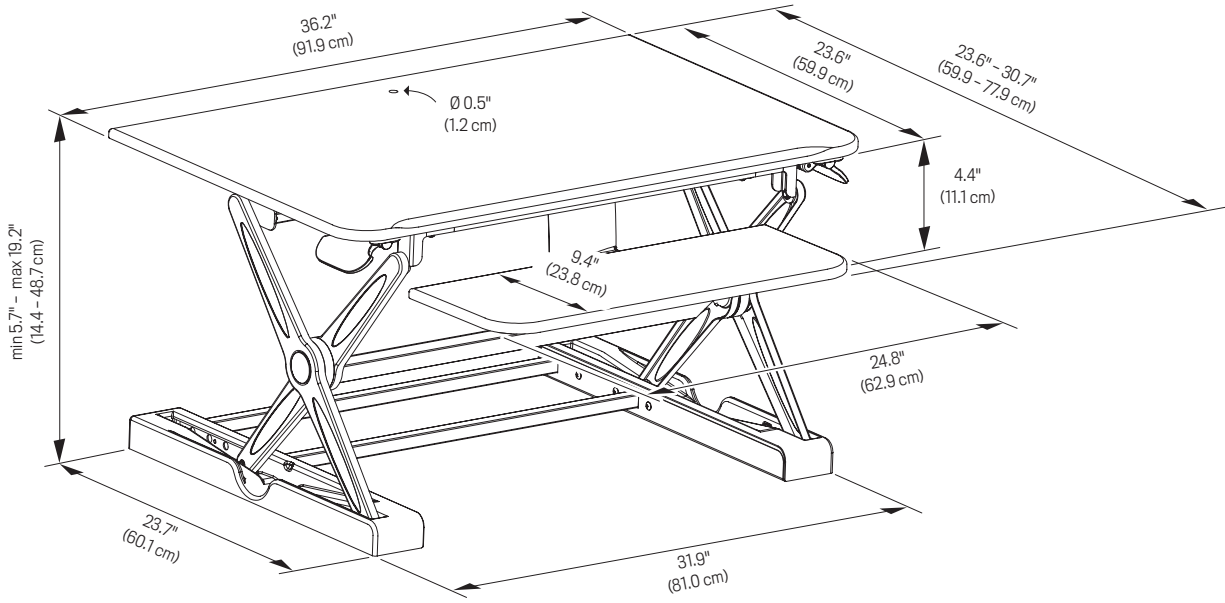
Reinforced edge for mounting an optional monitor arm

## WARRANTY

5 years

CAPABILITIES

Winston Desk



Winston Desk Corner

