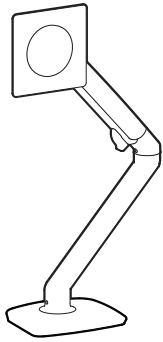


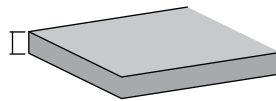
MXV Desk Monitor Arm



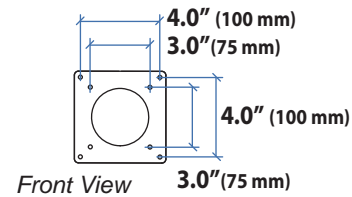
Dimensions

Desk Thickness

0.47"-1.25"
(12-32 mm)

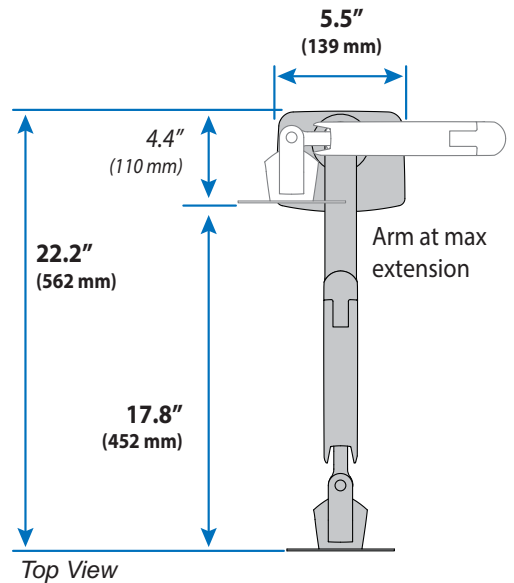
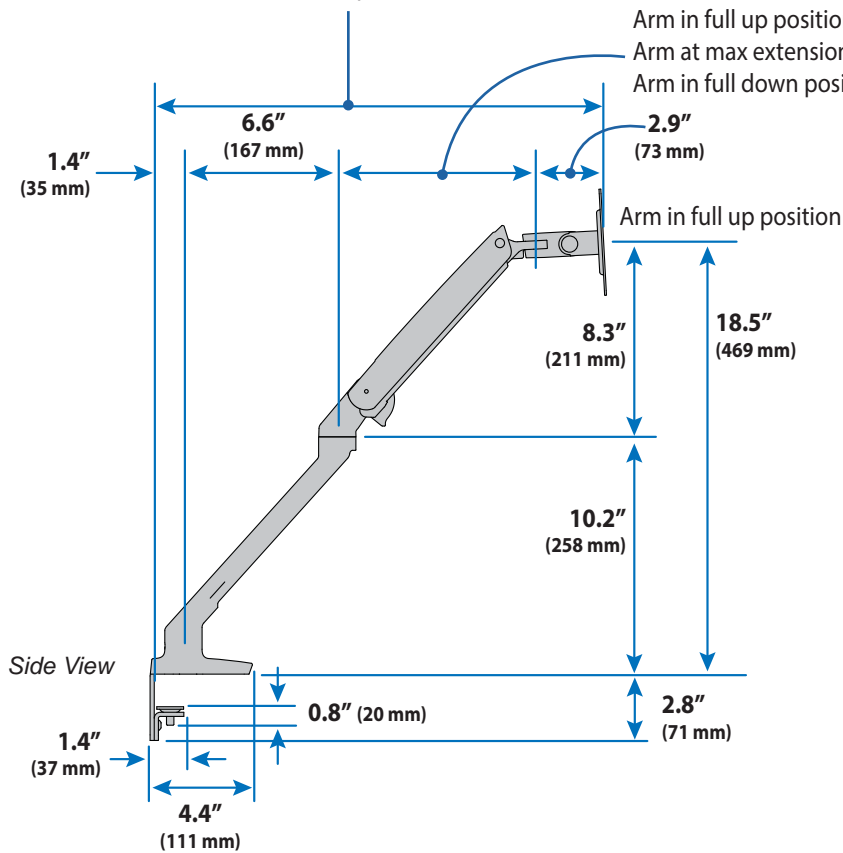


Monitor Interface Bracket



Arm in full up position: **19.1"** (485 mm)
Arm at max extension: **22.2"** (562 mm)
Arm in full down position: **19.6"** (498 mm)

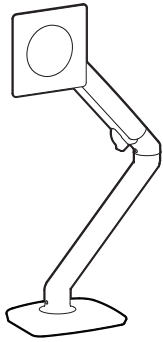
Arm in full up position: **8.2"** (210 mm)
Arm at max extension: **11.3"** (287 mm)
Arm in full down position: **8.7"** (223 mm)



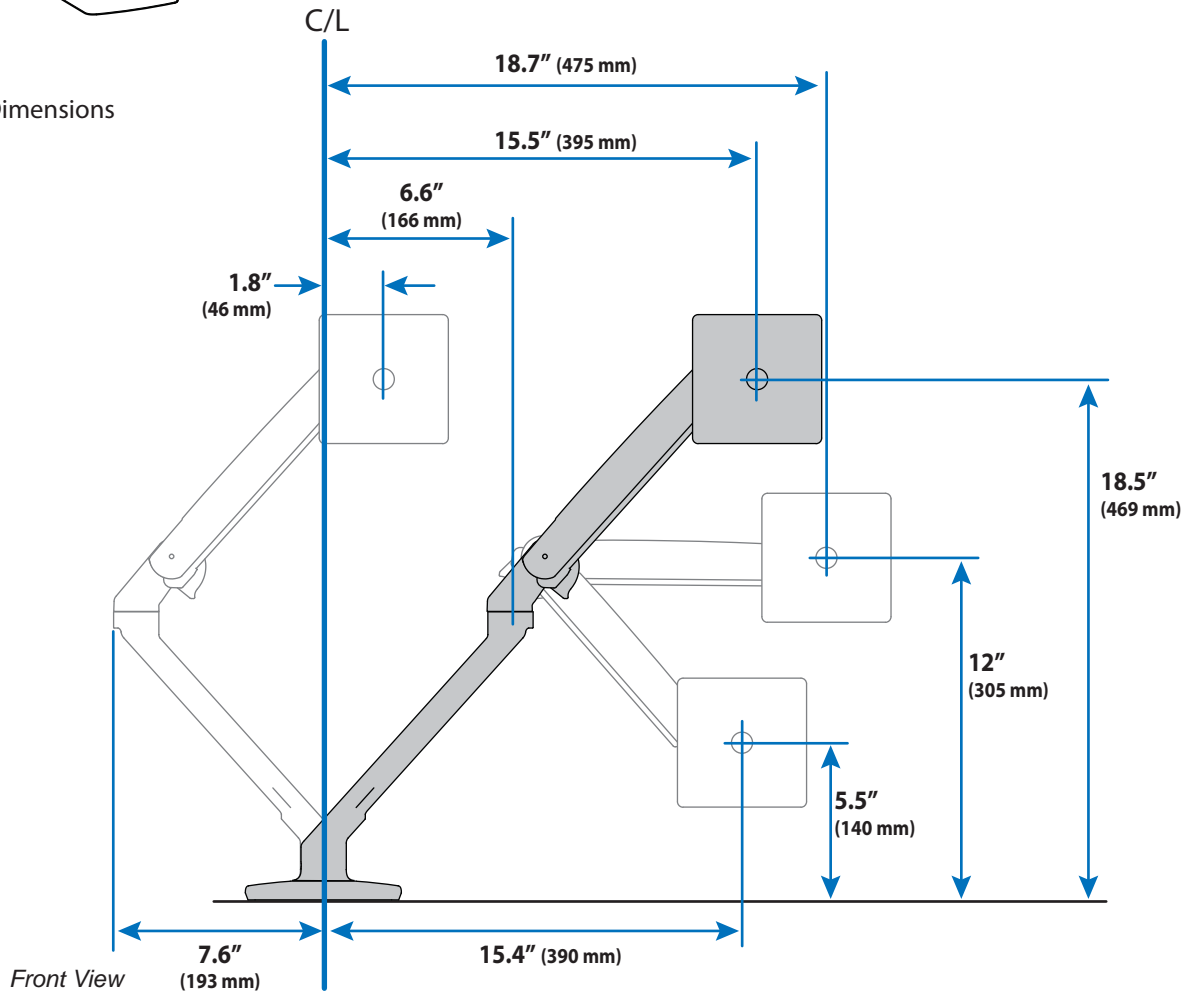
© 2017 Ergotron, Inc. rev. 03/12/2020 DIM-MXV Content is subject to change without notification

Americas Sales and Corporate Headquarter	EMEA Sales	APAC Sales	Worldwide OEM Sales
St. Paul, MN USA (800) 888-8458 +1-651-681-7600 www.ergotron.com insidesales@ergotron.com	Amersfoort, The Netherlands +31 33 45 45 600 www.ergotron.com info.eu@ergotron.com	Sydney, Australia www.ergotron.com apaccustomerservice@ergotron.com	www.ergotron.com info.oem@ergotron.com

MXV Desk Monitor Arm



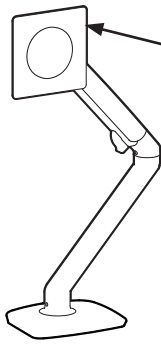
Dimensions



© 2017 Ergotron, Inc. rev. 03/12/2020 DIM-MXV Content is subject to change without notification

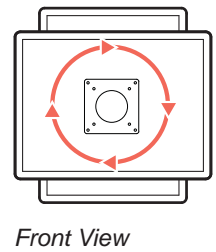
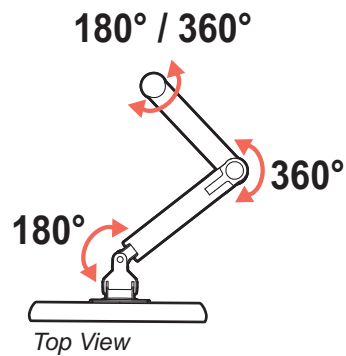
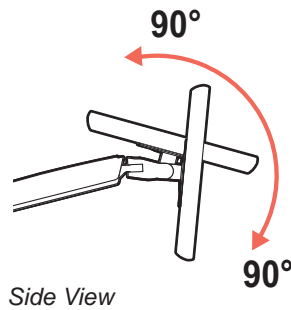
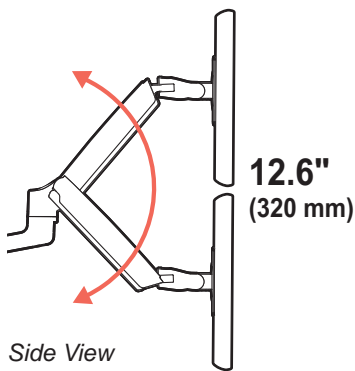
Americas Sales and Corporate Headquarter	EMEA Sales	APAC Sales	Worldwide OEM Sales
St. Paul, MN USA (800) 888-8458 +1-651-681-7600 www.ergotron.com insidesales@ergotron.com	Amersfoort, The Netherlands +31 33 45 45 600 www.ergotron.com info.eu@ergotron.com	Sydney, Australia www.ergotron.com apaccustomerservice@ergotron.com	www.ergotron.com info.oem@ergotron.com

MXV Desk Monitor Arm



Weight Capacity
 7 - 20 lbs (3.2 - 9.1 kg)
 Monitor depth greater than 2.5" (64 mm) may diminish capacity.
 Call Ergotron for more information.

Range of Motion



Americas Sales and Corporate Headquarter	EMEA Sales	APAC Sales	Worldwide OEM Sales
St. Paul, MN USA (800) 888-8458 +1-651-681-7600 www.ergotron.com insidesales@ergotron.com	Amersfoort, The Netherlands +31 33 45 45 600 www.ergotron.com info.eu@ergotron.com	Sydney, Australia www.ergotron.com apaccustomerservice@ergotron.com	www.ergotron.com info.oem@ergotron.com