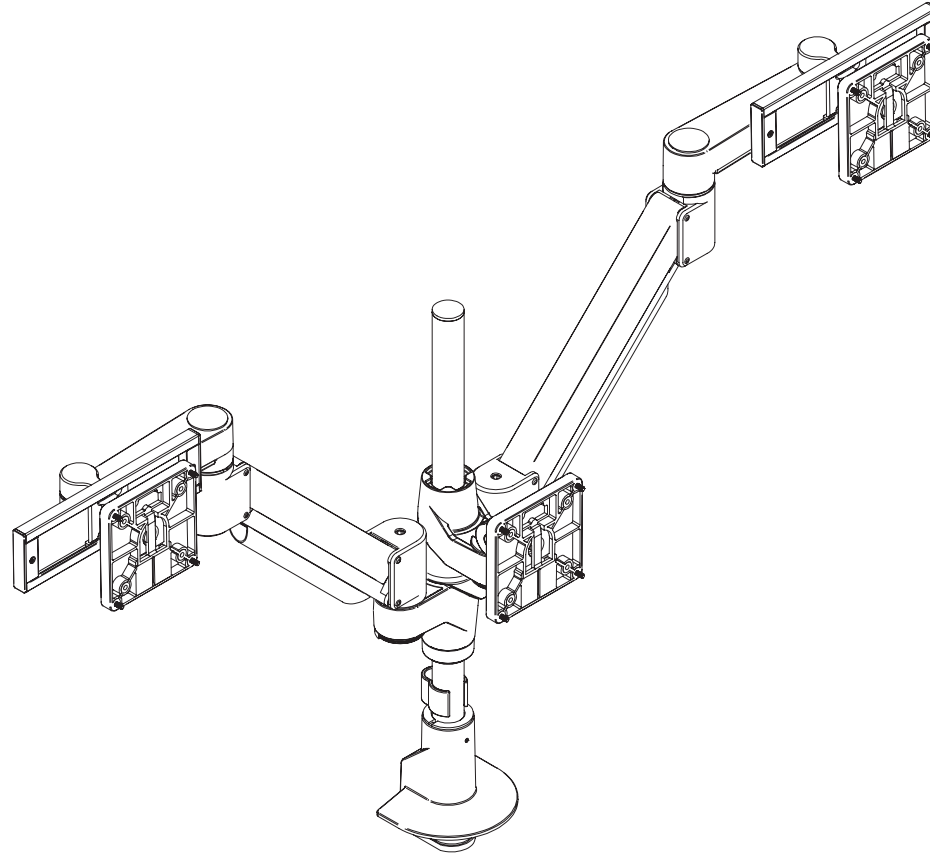


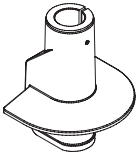
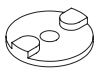
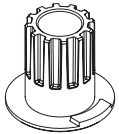
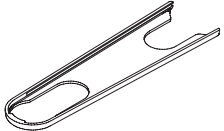
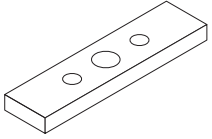

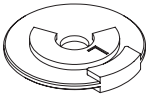
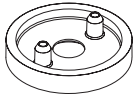

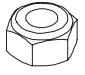

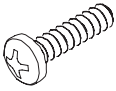


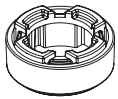
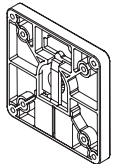

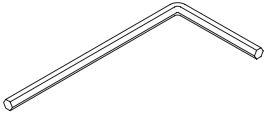

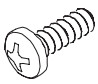
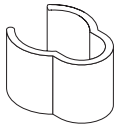
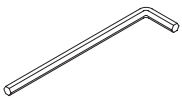
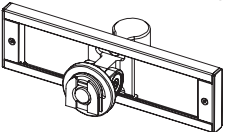
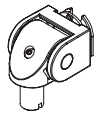
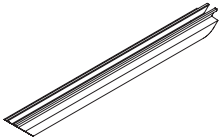
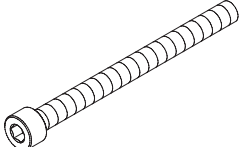
STAXX™

Installation Instructions



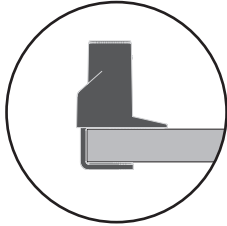
STX-3S-SLD-XXX

Parts List

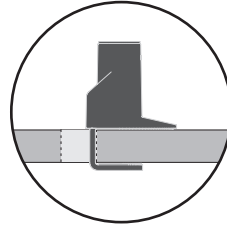
<p>A Top Down Mount 1x 8524</p> 	<p>G Dog Washer for Articulating Arms 2x 113704</p> 	<p>M Bushing Adapter 1x 112945</p> 	<p>S Forearm Cable Cap 2x 115584</p> 	<p>Y* Spacer 1x 701544</p> 
<p>B Dimpled Pole 1x 110607-20</p> 	<p>H Rotation Stop for Articulating Arms 2x 113705</p> 	<p>N Dog Washer 3x 105189</p> 	<p>T 1/8" Allen Wrench 1x 701312</p> 	<p>Z* Lock Nut 1x 710015</p> 
<p>C Stackable Mount 3x 413054</p> 	<p>I M6 x 1mm Phillips Pan Head Screw 2x 105304</p> 	<p>O 10-32 x 3/8" FPHMS w/Lock Patch 3x 705198</p> 	<p>U 3/32" Allen Wrench 1x 700146</p> 	
<p>D Pole Collar 1x 113332</p> 	<p>J Quick Connect VESA Plate 3x 114808</p> 	<p>P Pole Cap 1x 105195</p> 	<p>V 7/32" Allen Wrench 1x 701127</p> 	
<p>E Pole Clip 1x 113449</p> 	<p>K M4 x 12mm Phillips Pan Head Screw 12x 701153</p> 	<p>Q Cable Clip 1x 104533</p> 	<p>W 4mm Allen Wrench 1x 709877</p> 	
<p>F 9-inch Beam Assembly 2x 416088</p> 	<p>L Monitor Tilter 1x 8500 Tilter</p> 	<p>R Cable Cap 2x 114810</p> 	<p>X* M8 x 95mm SCHS 1x 716061</p> 	

DESK CLAMP CONFIGURATION

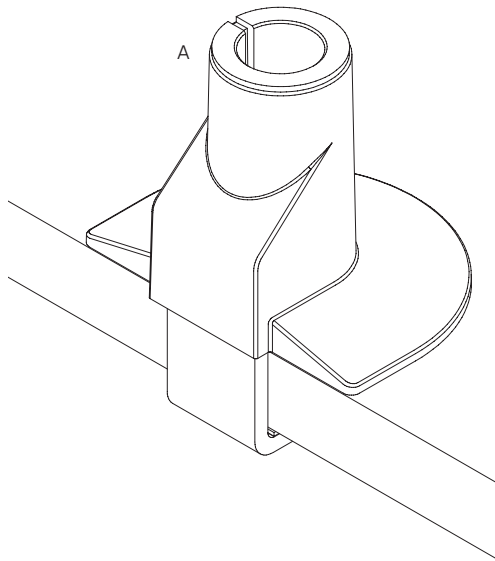
1



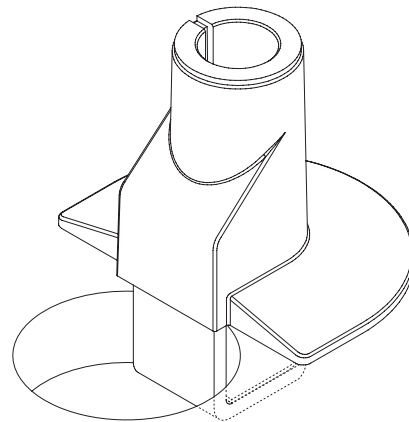
Desk thickness up to 1.5" (3.8 cm)



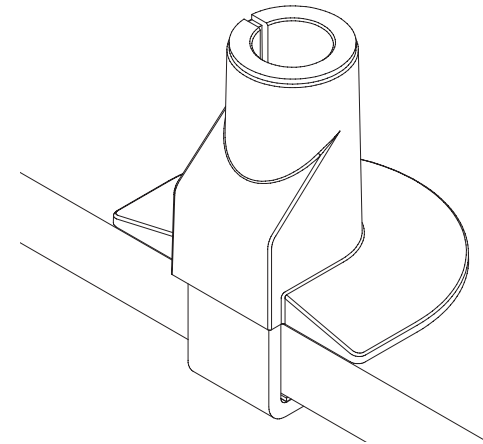
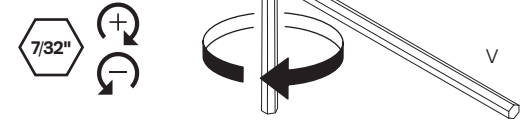
Desk thickness up to 1.5" (3.8 cm)



OR

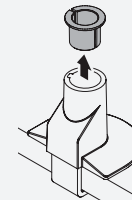


2

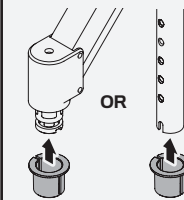


i If the monitor arm or pole does not easily fit into the mount, remove the bushing from the mount and place it on the monitor arm or pole and press firmly back into the mount.

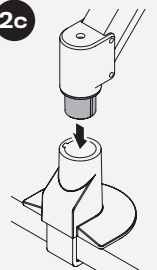
2a



2b

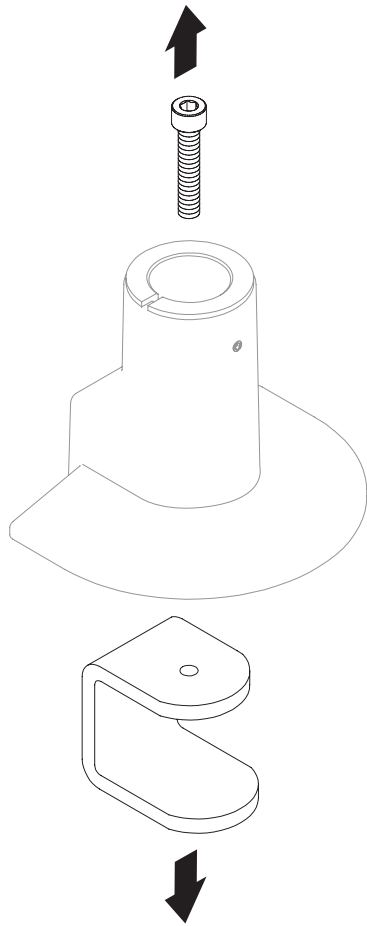


2c

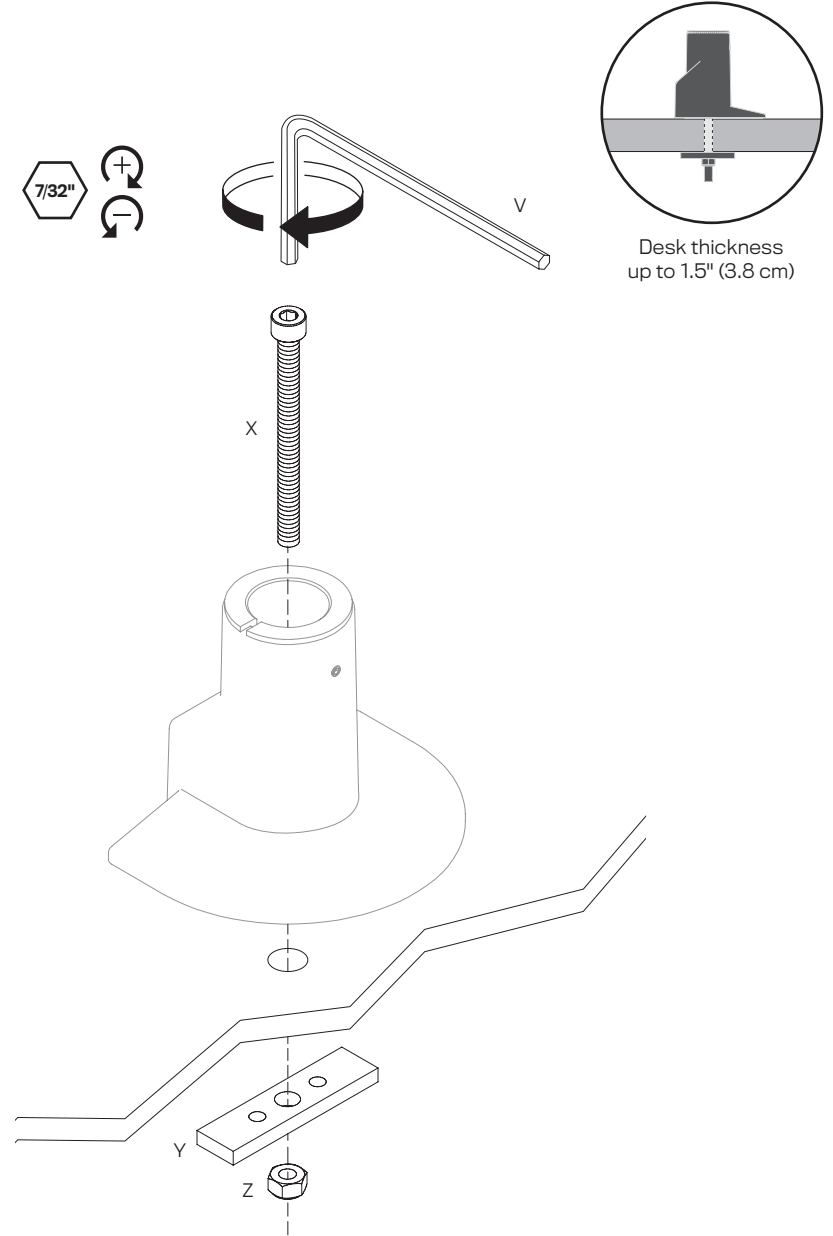


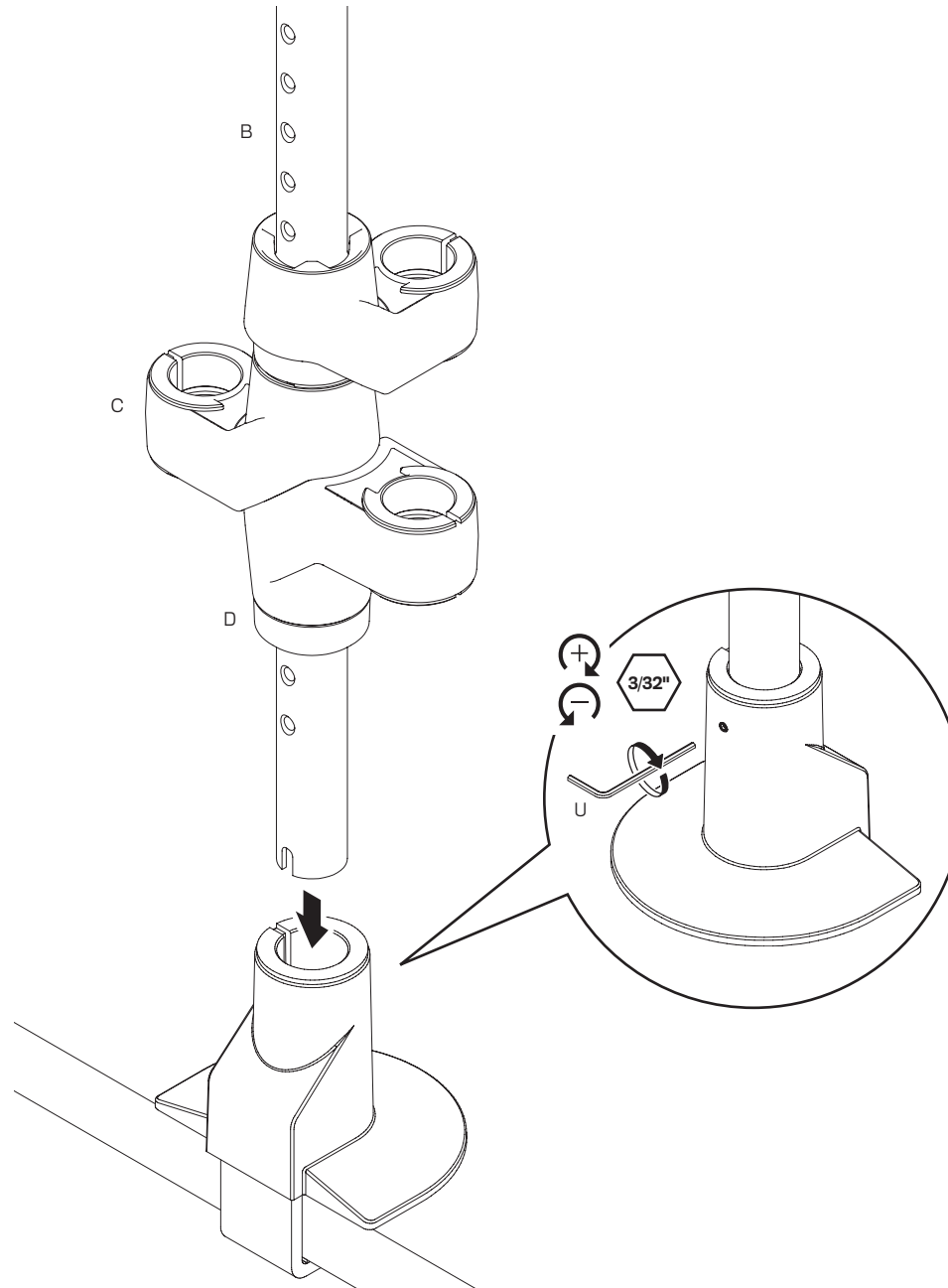
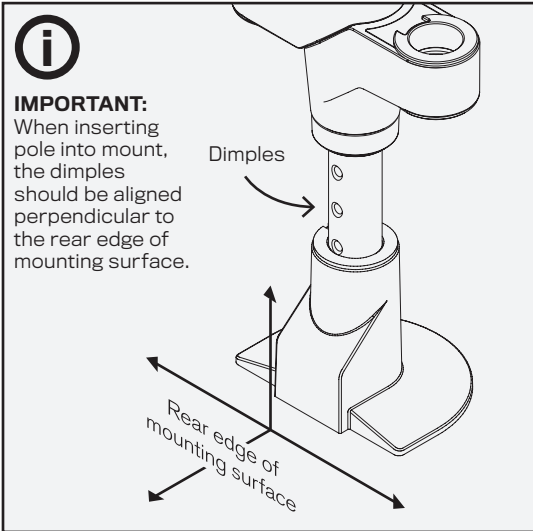
THRU-DESK CONFIGURATION*

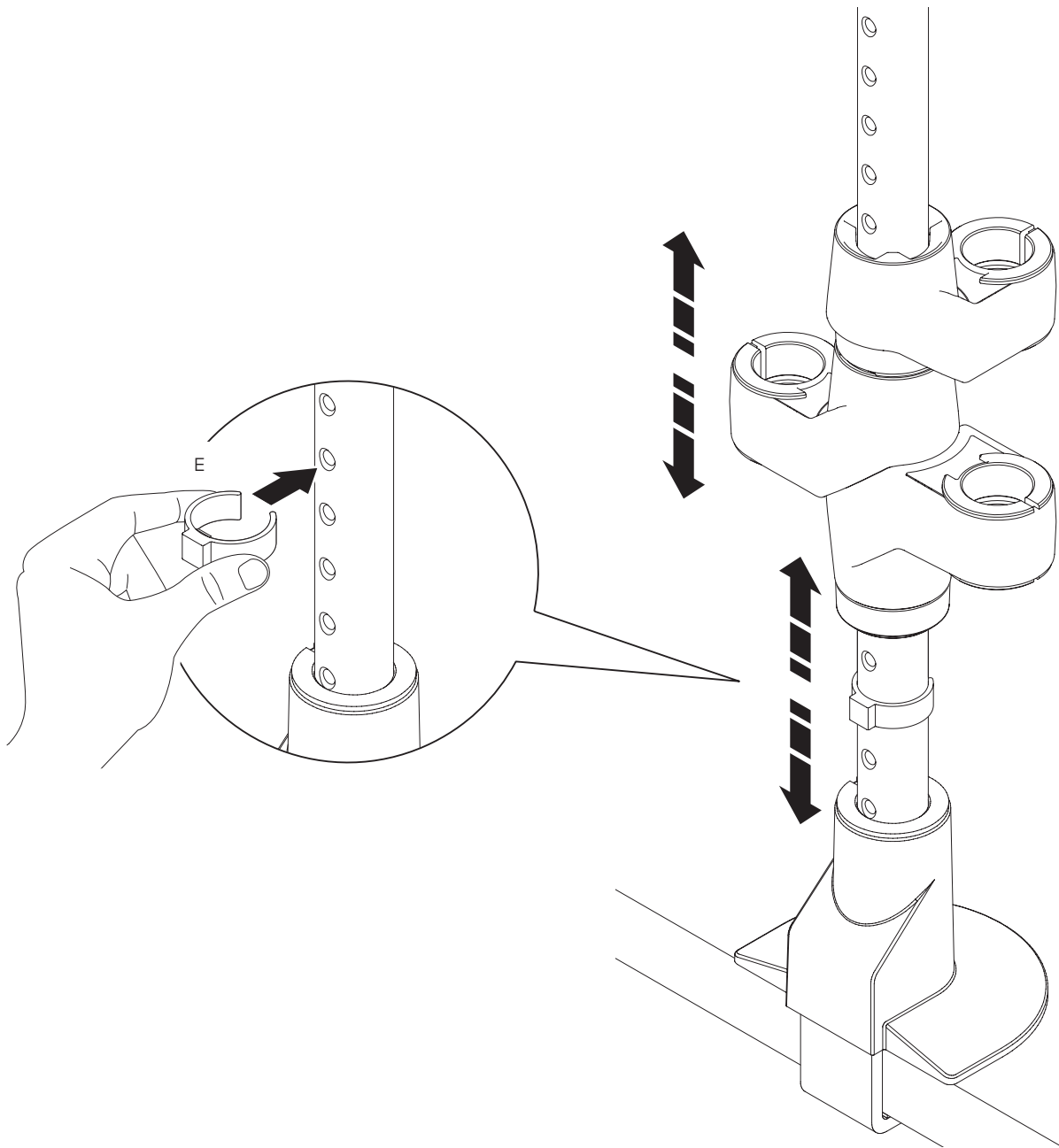
3

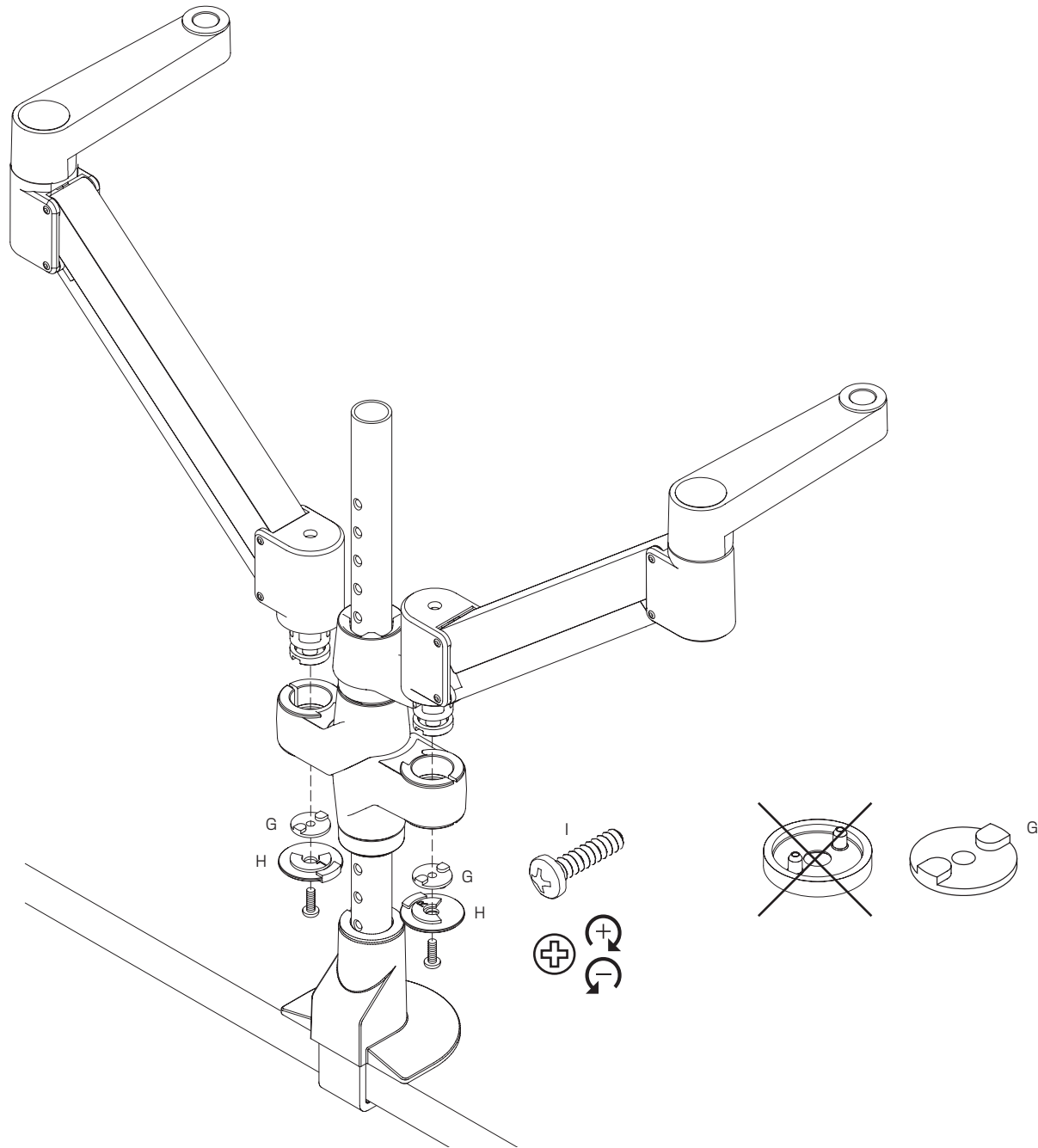


4

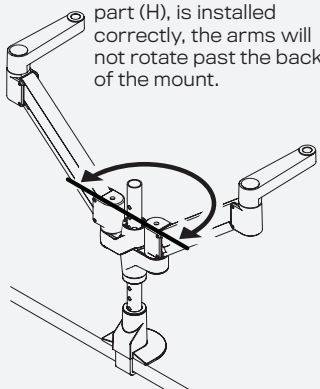




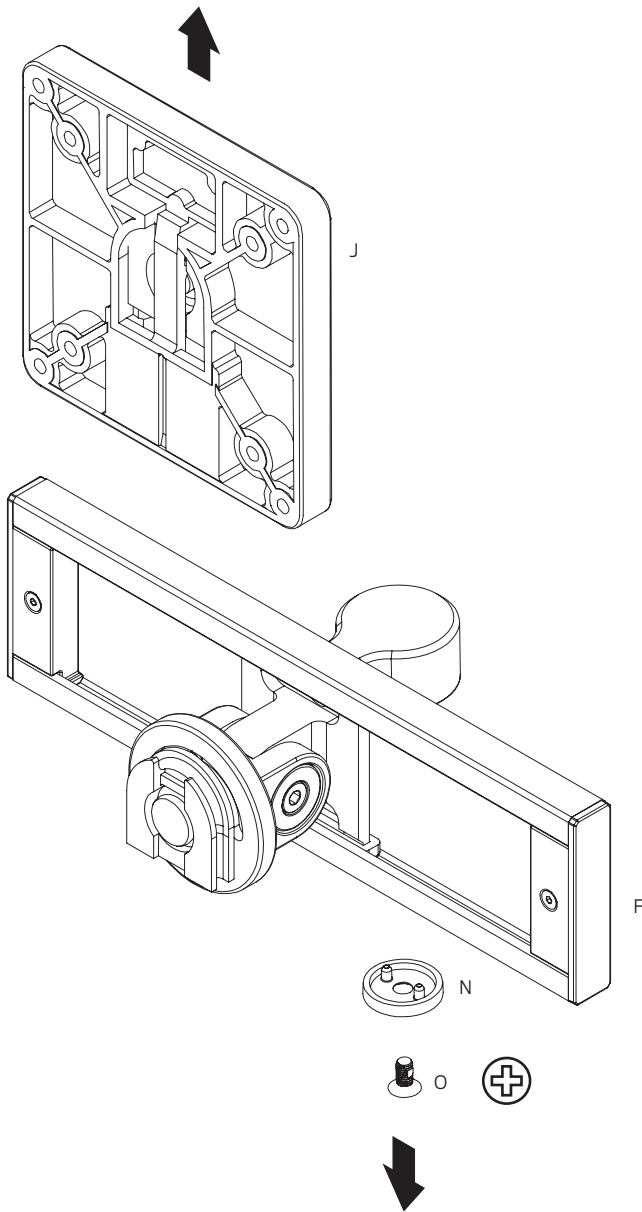


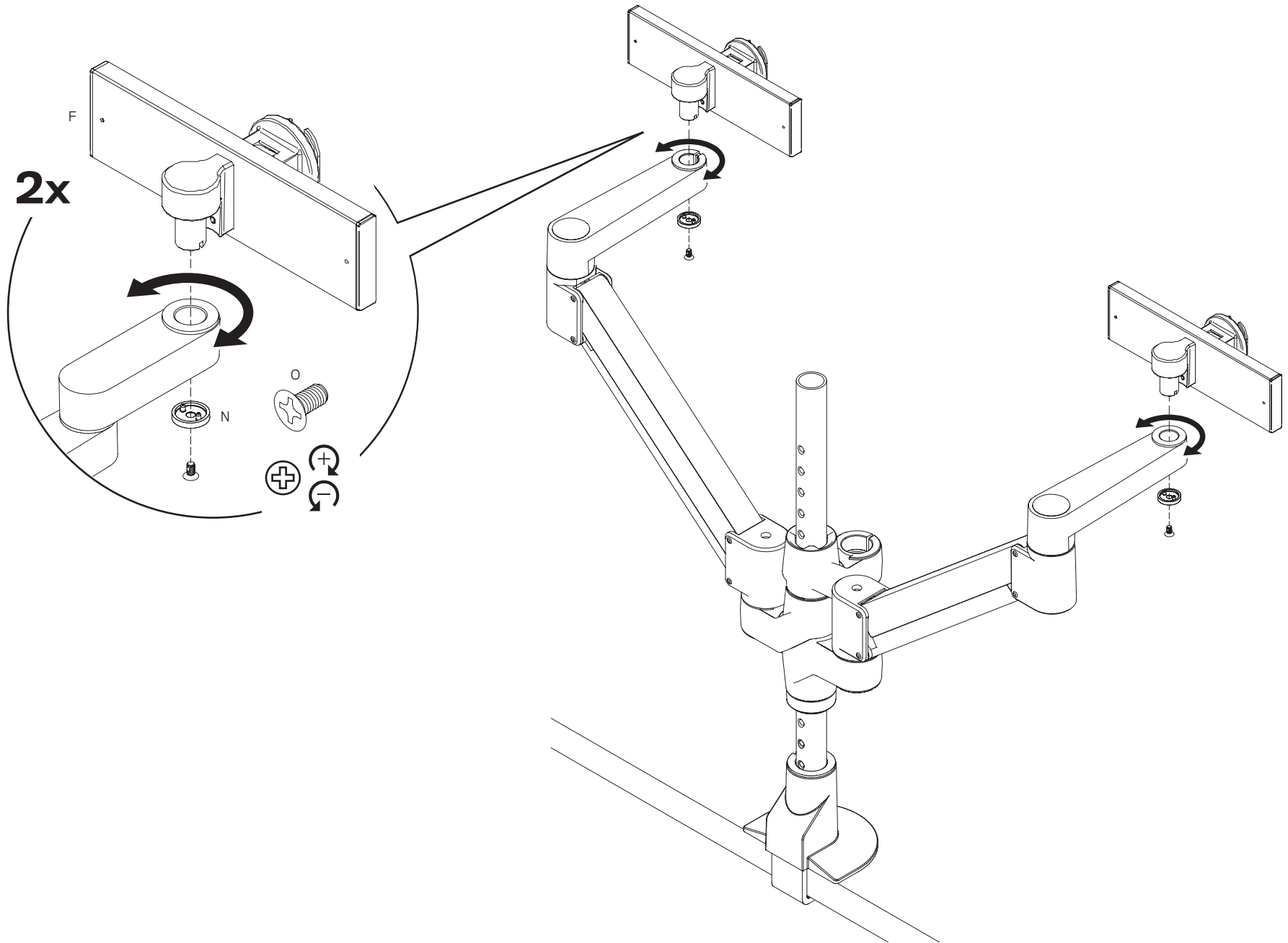
**IMPORTANT:**

Install part (H) in the orientation as shown to the left. When washer, part (H), is installed correctly, the arms will not rotate past the back of the mount.

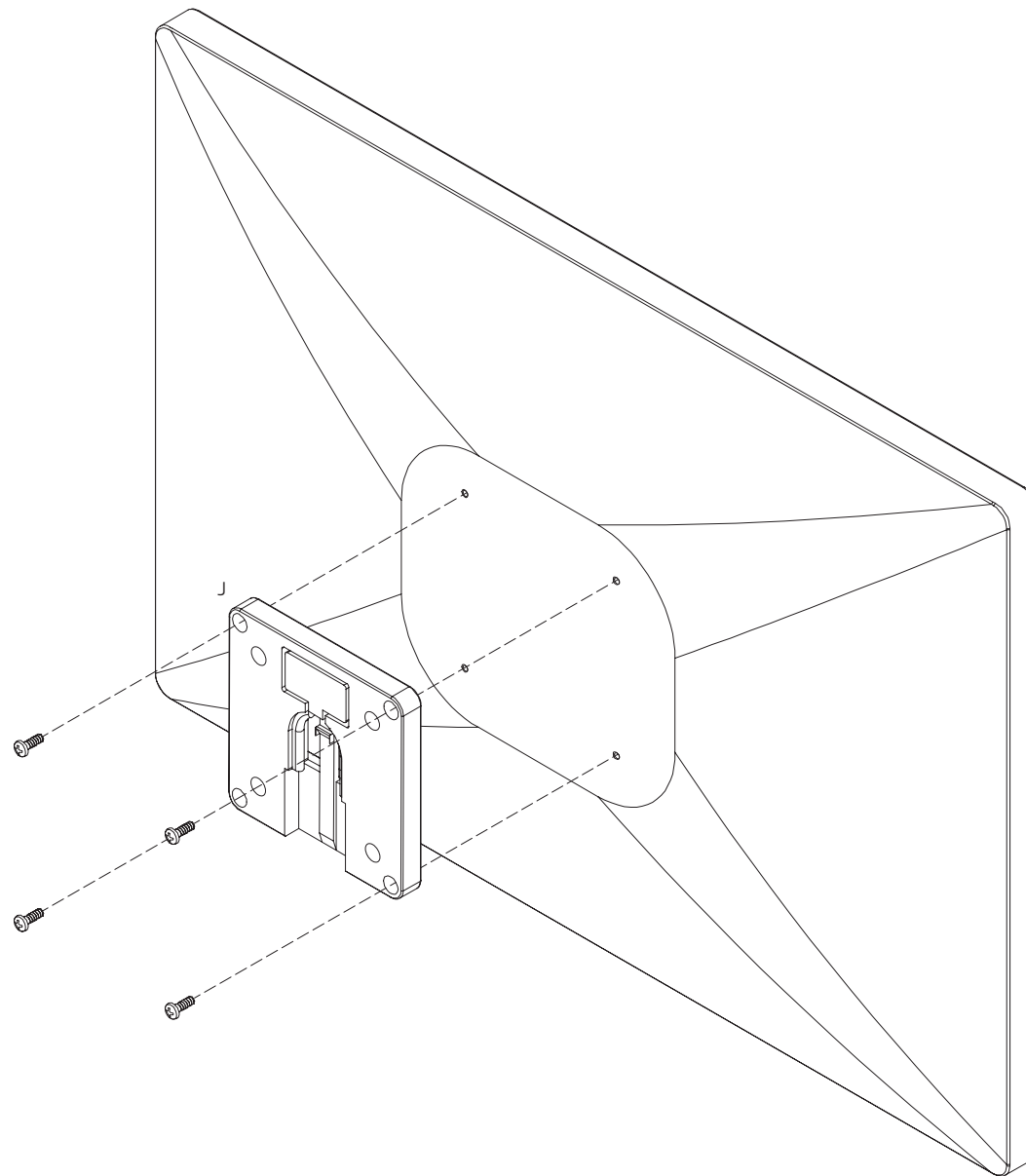


2x

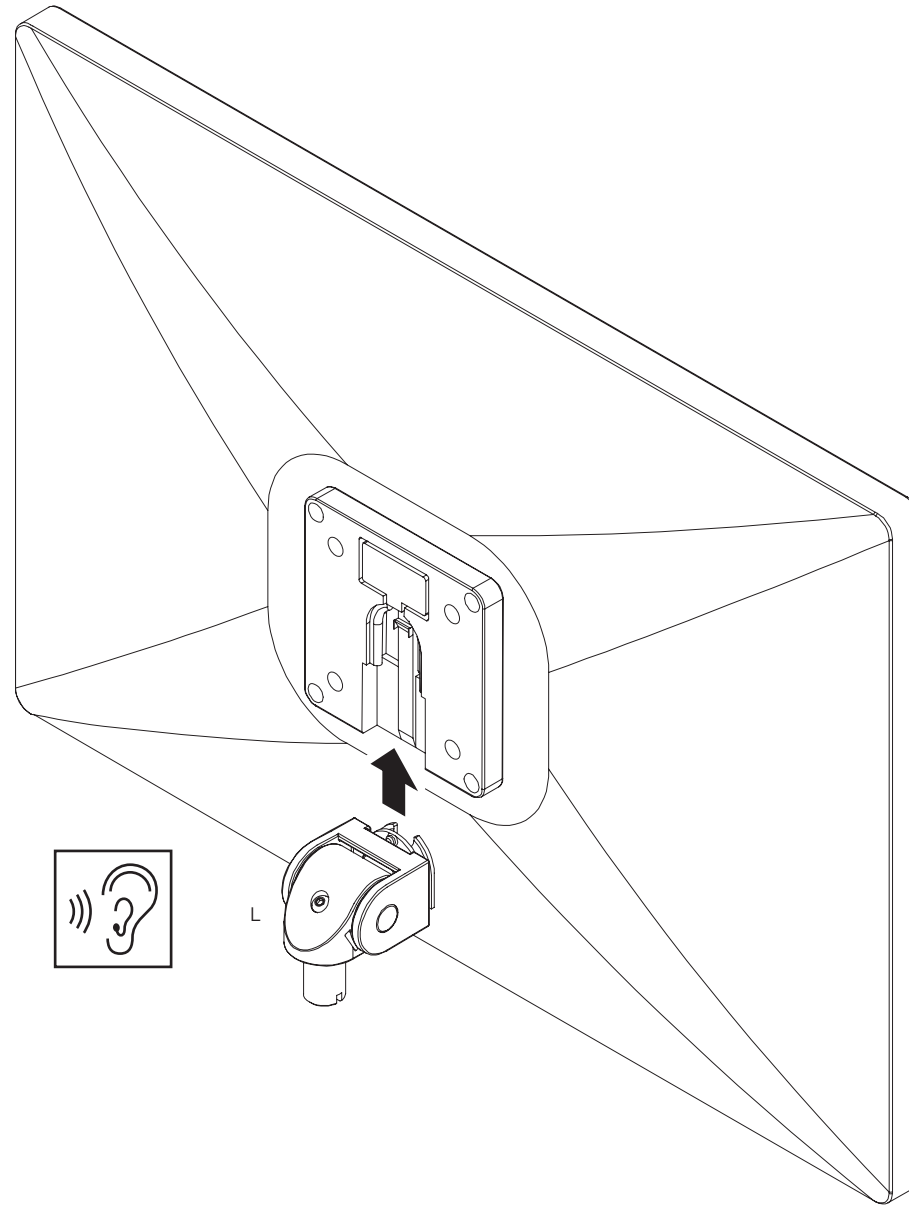




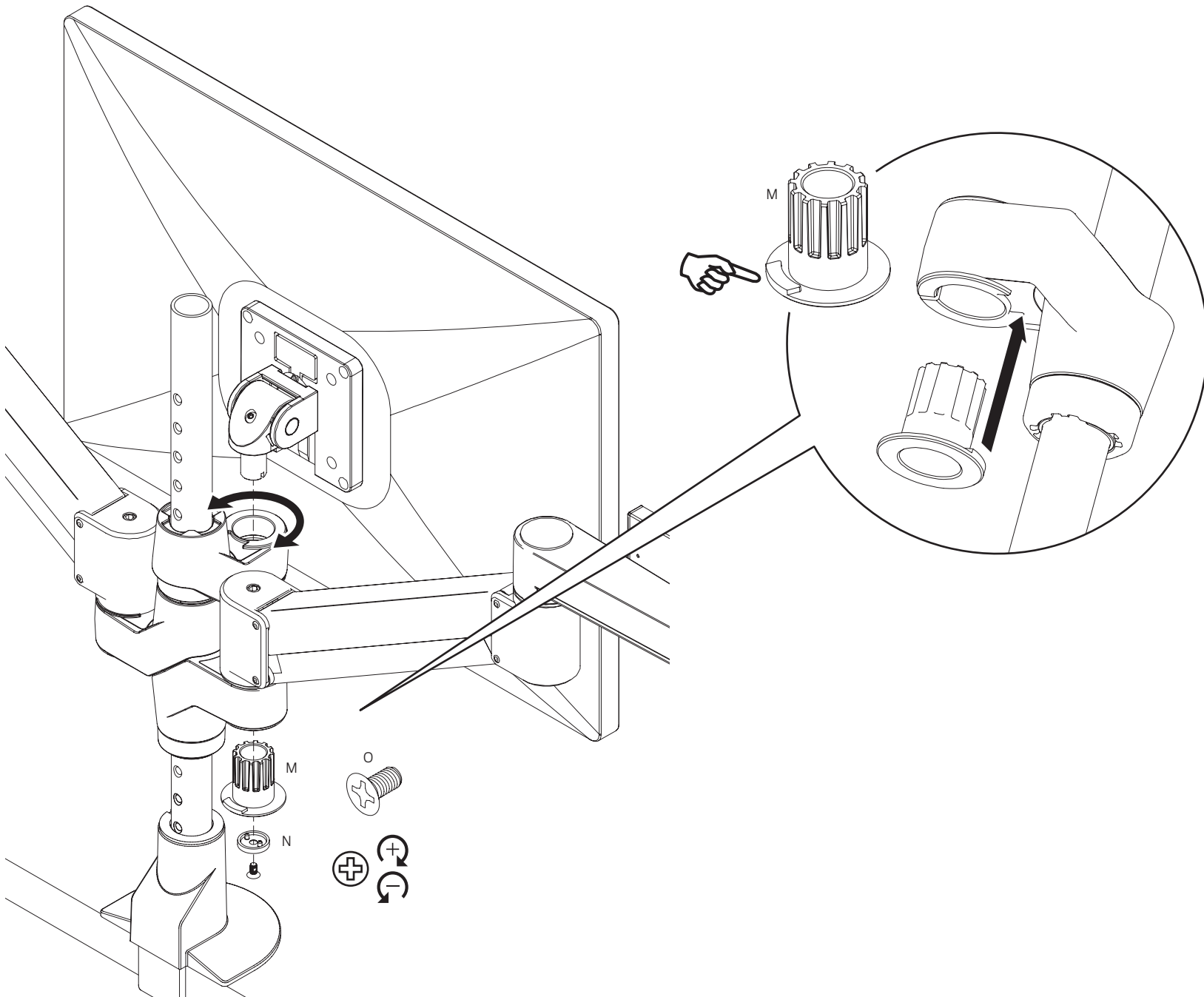
3x



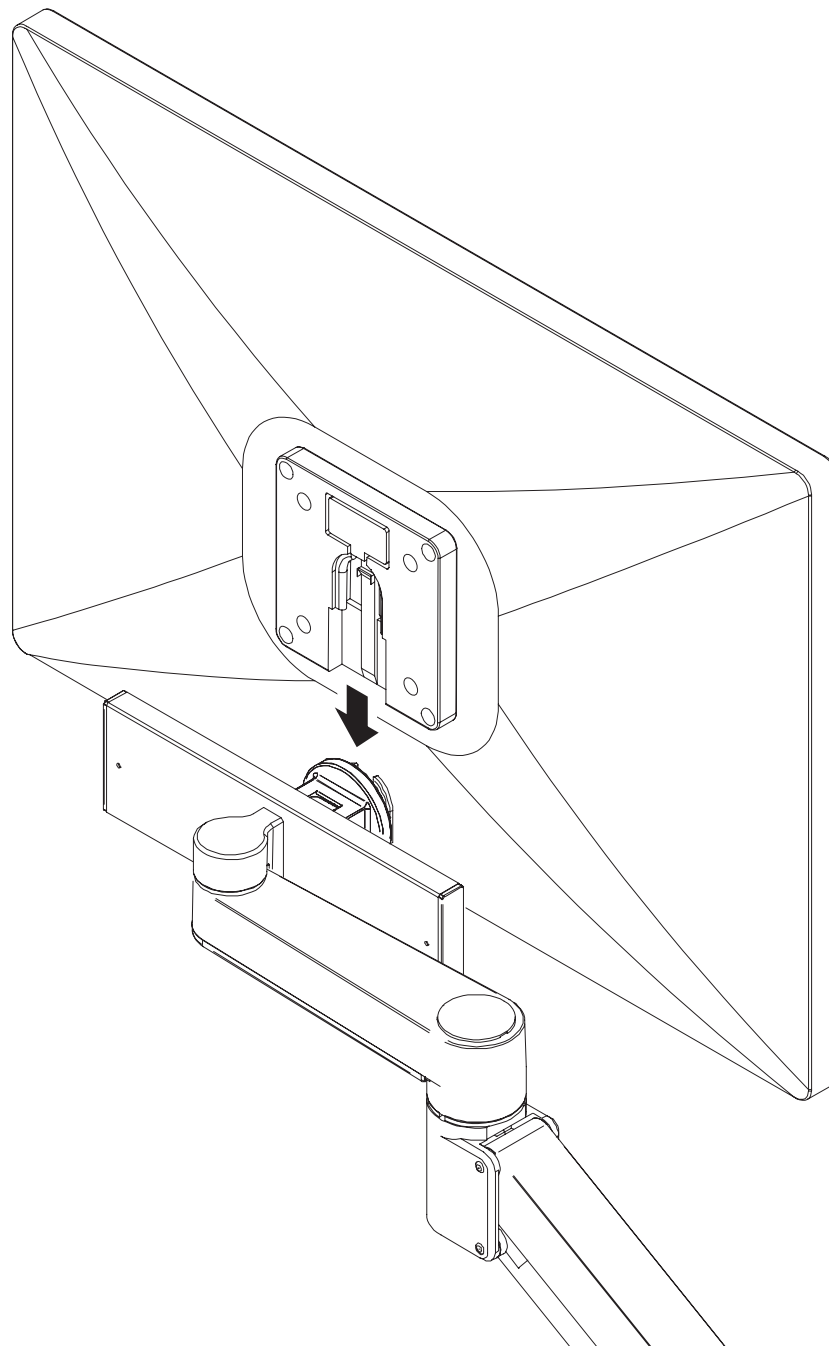
1x

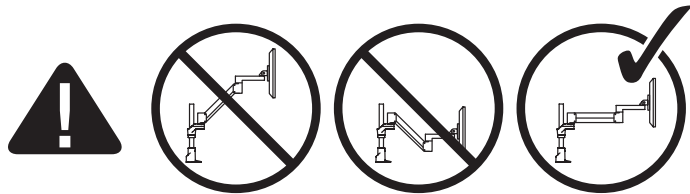


1x

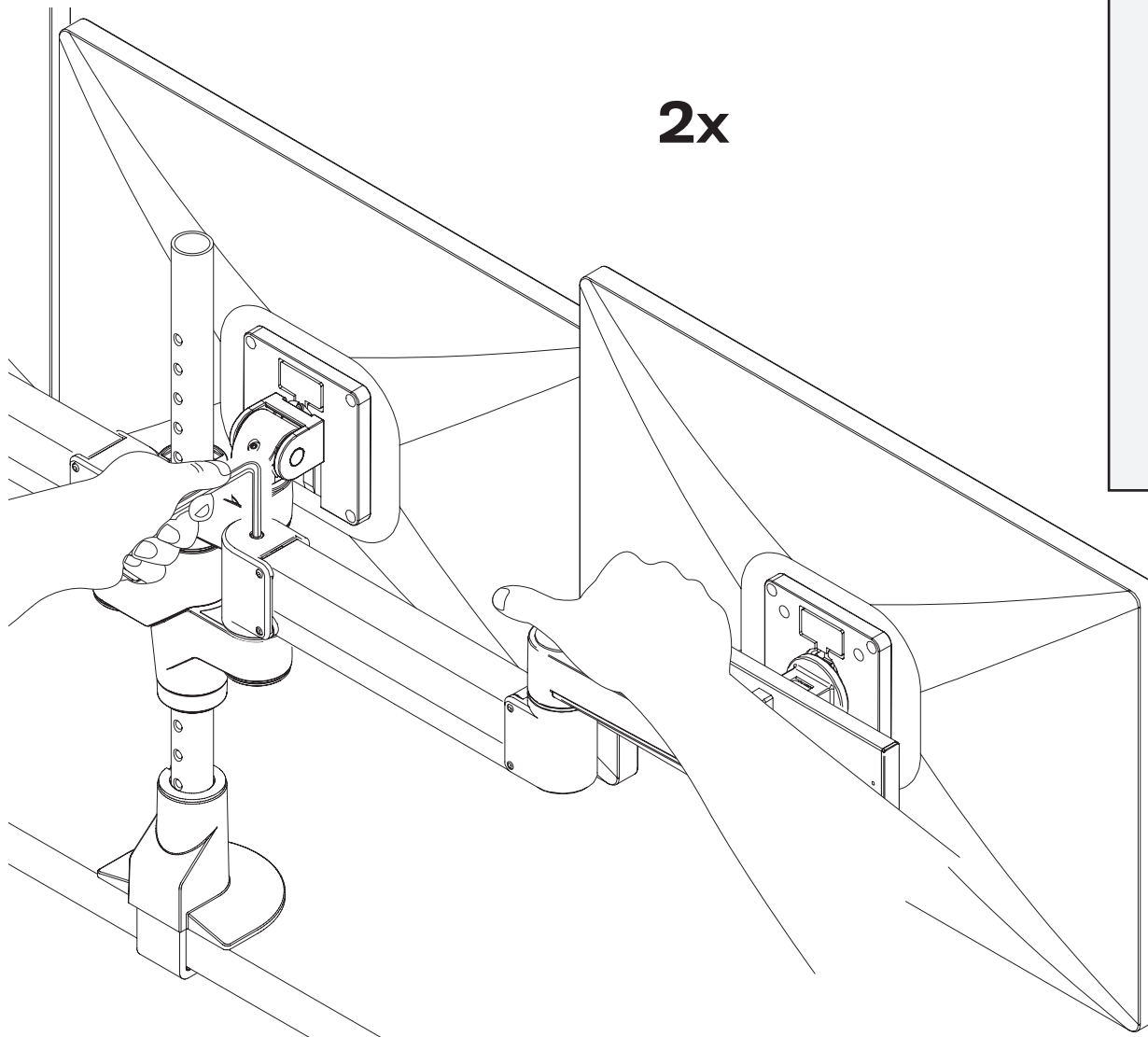


2x





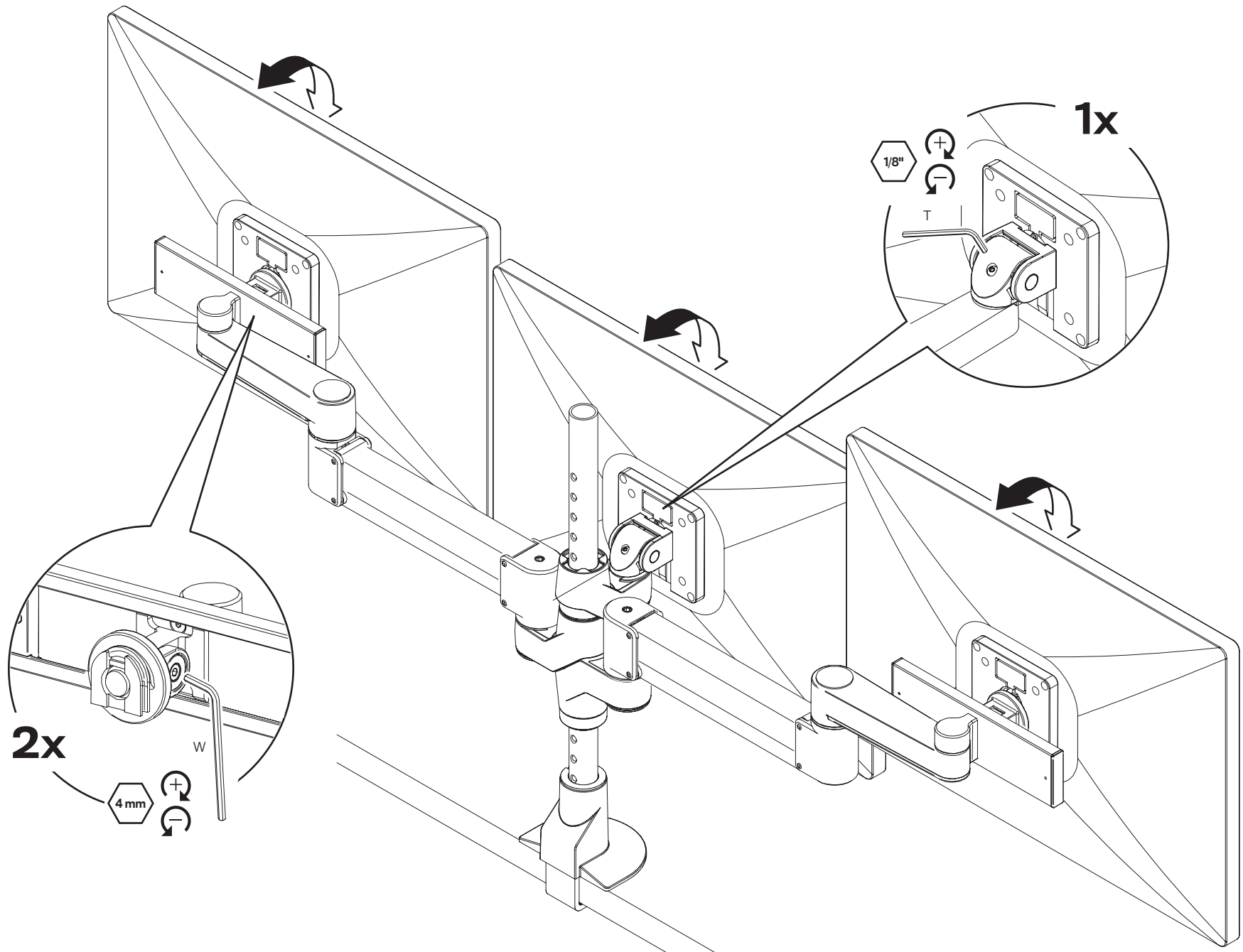
2x



i **Optional Adjustment**

In some instances, an additional counterbalance adjustment may be needed to allow the arm's instant height adjustment function to work properly.

If your arm is not staying in position after performing step 14, tighten the adjustment screw with a 1/8" Allen wrench.



2x

