

---

# INSTALLATION INSTRUCTIONS

---

## PPC TO PPD ADAPTER

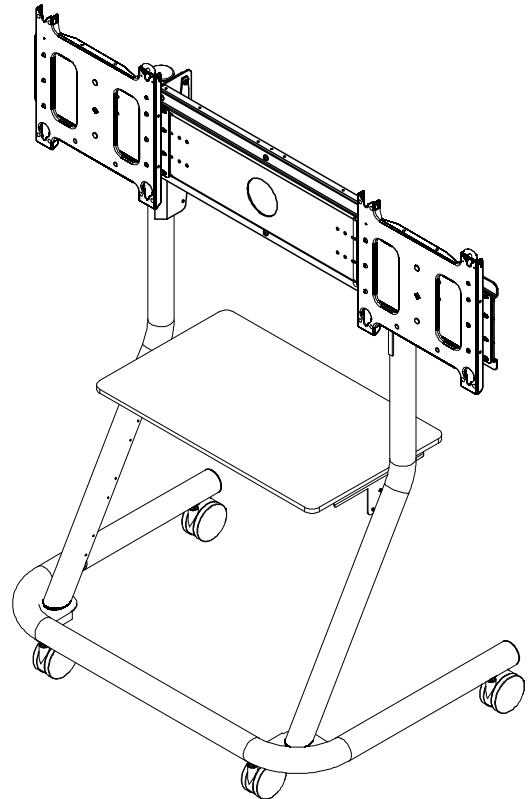
### Model: PAC-200

Specifications:

- Designed for installation on Chief PPC Cart.

**NOTE:** The PAC-200 re-uses certain components and hardware from the original single display PPC configuration.

- Infinite tilt adjustment between 0° and 7.5°.



PAC-200  
(Shown installed on PPC cart, purchased separately)

---

#### BEFORE YOU BEGIN



**WARNING:** It is the installer's responsibility to make sure all components are properly assembled and installed using the instructions provided. Failure to read, thoroughly understand, and follow all instructions can result in serious personal injury, damage to equipment, or voiding of factory warranty.

- If you have any questions about these instructions or your specific installation, contact Chief Manufacturing at 1-800-582-6480 or 952-894-6280.

**! IMPORTANT WARNINGS AND CAUTIONS!**

**WARNING:** A WARNING alerts you to the possibility of serious injury or death if you do not follow the instructions.

**CAUTION:** A CAUTION alerts you to the possibility of damage or destruction of equipment if you do not follow the corresponding instructions.



**WARNING:** Exceeding the weight capacity can result in serious personal injury or damage to equipment! It is the installer's responsibility to make sure the combined weight of ALL components attached to the PPC cart (including the PAC-200, displays, interfaces, and any other equipment or accessories) does not exceed the weight limit stated in the PPC Instruction Manual.



**WARNING:** Make sure the latches securing the display are fully closed at all times except when removing or installing the display. The latches must be fully closed when installing or removing cables from the display.

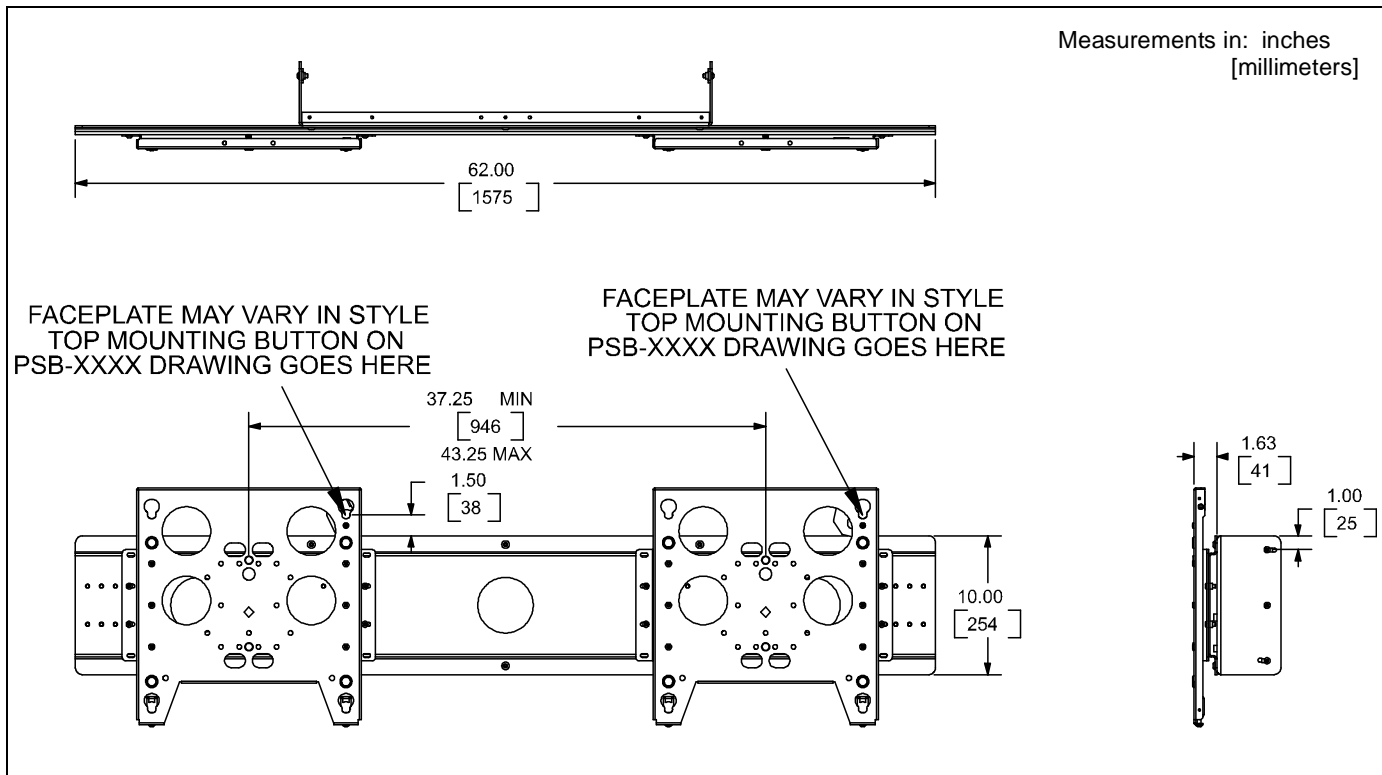


**WARNING:** Allowing any part of your body or component cables to be caught between movable parts can result in serious personal injury or damage to equipment!



**CAUTION:** Overtightening fasteners may result in improper operation, excessive wear or damage to equipment, and/or voiding of factory warranty!

**DIMENSIONS**



**TOOLS REQUIRED FOR INSTALLATION**

- 5/32" Hex Key (included)
- 3/16" Hex Key (included)

**NOTE:** Other tools may be required depending on your method of installation.

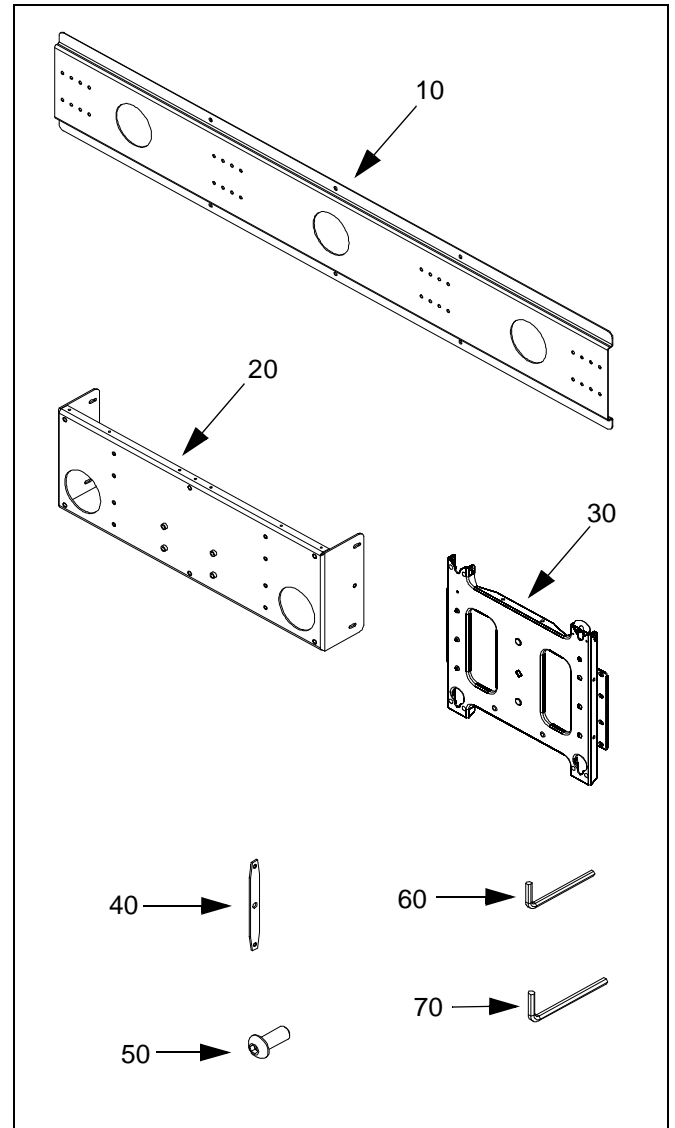
**PARTS**

After unpacking carton, inspect and verify contents (See Figure 1). If any listed parts are missing or damaged, contact Chief Customer Service at 1-800-582-6480.

**Table 1: Parts**

Item	Description	Qty
10	BRACKET, Dual Mount	1
20	HEAD, Dual Mount, Tilt	1
30	FACEPLATE, Assembly, 14" Pattern	1
40	SPREADER, Head Tilt	2
50	SCREW, Button Head Cap, 5/16"-18 x 3/4"	6
60	KEY, Hex, 5/32"	1
70	KEY, Hex, 3/16"	1
	INTERFACE, Display, 14" Button Pattern (Required; not included)	2

\* If PPC Cart screws are reused, customer will have 8 extra screws at end of installation. Extra screws provided for convenience.



**Figure 1: Parts**

## INSTALLATION

### REMOVE EXISTING PPC COMPONENTS



**WARNING:** Display is very heavy! Ensure display can be safely lifted and maneuvered as required for removal. Failure to take adequate precaution can result in serious personal injury or damage to equipment!

1. If display is attached, then perform the following *in order*:
  - Lock PPC Cart casters
  - Disconnect cables from display
  - Remove display

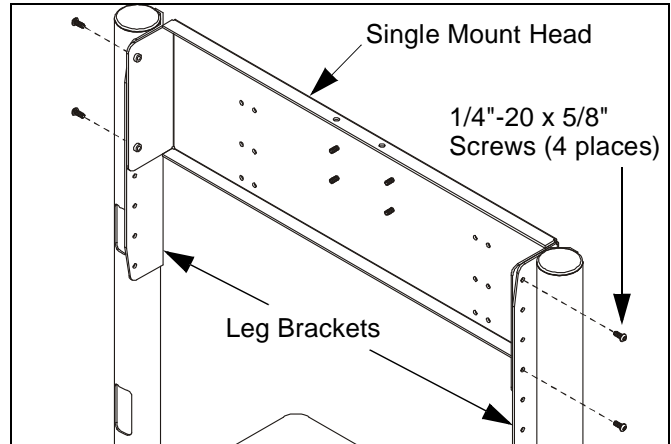
See instructions included with PPC Cart. Do NOT remove interface from display.

2. Using hex key (60), remove eight 1/4"-20 x 5/8" button head cap screws attaching faceplate side brackets to single mount head (See Figure 2). Do NOT remove side brackets from faceplate. Retain screws and faceplate/side bracket assembly for later use.

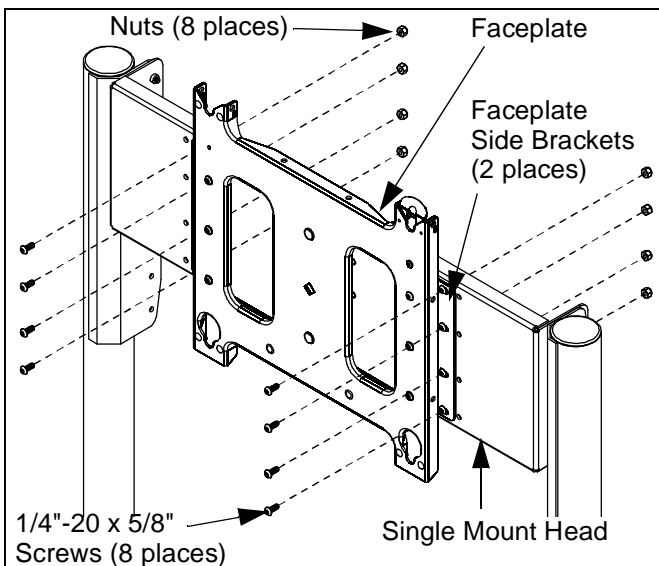
**NOTE:** 1/4"-20 nuts will not be reused in PAC-200 installation.

3. Using hex key (60), remove four 1/4"-20 x 5/8" button head cap screws attaching single mount head to leg brackets (See Figure 3). Retain screws for later use.

**NOTE:** Single mount head will not be reused in PAC-200 installation.



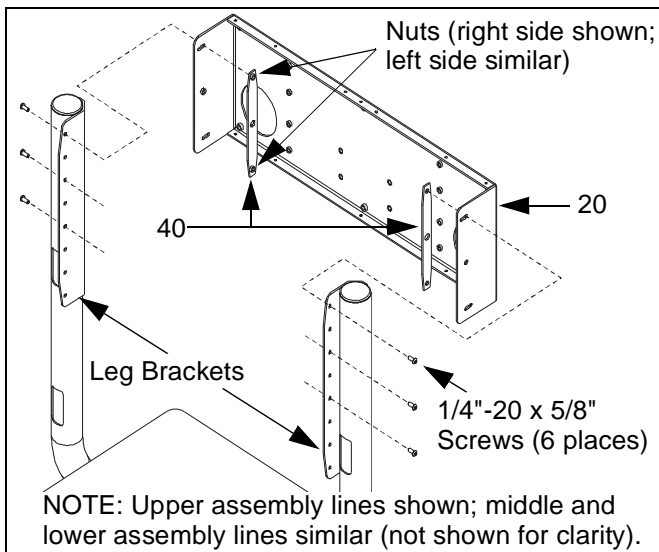
**Figure 3: Remove Single Mount Head**



**Figure 2: Remove Faceplate/Side Bracket Assembly**

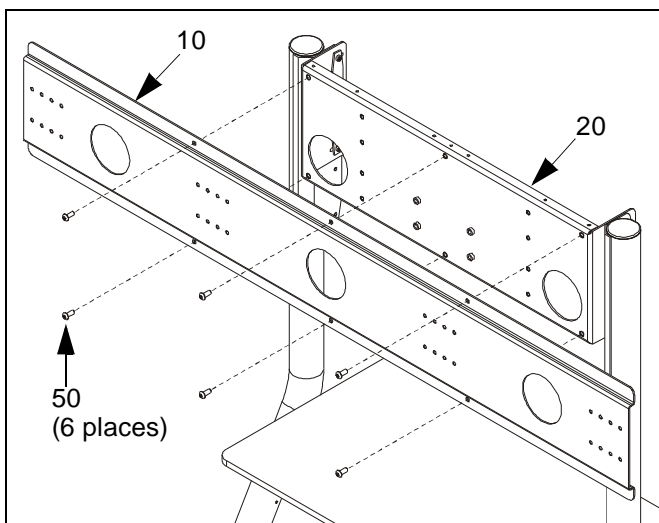
**INSTALL PAC-200 COMPONENTS**

1. Determine desired height for head (20) keeping in mind display size and viewing requirements.
2. Using hex key (60), install six retained 1/4"-20 x 5/8" button head cap screws through selected fastener holes in leg brackets, through head (20), into spreaders (40) (See Figure 4). Tighten securely. Ensure the following:
  - Head (10) is facing *front* of cart.
  - Spreaders (40) are oriented so that nuts face *inside* of head (10).



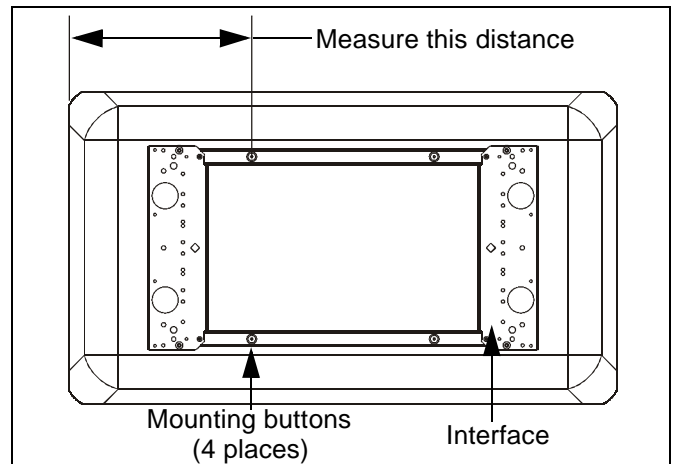
**Figure 4: Install Dual Mount Head**

3. Using hex key (70), install six screws (50) through bracket (10), into head (20) (See Figure 5). Tighten securely.



**Figure 5: Install Dual Mount Bracket**

4. If not previously installed, install interface (not included) to each display. See instructions included with interface.
5. Lay display face down on protective surface. Measure from side edge of display case (not display screen) to center of nearest display mounting button on interface (See Figure 6).



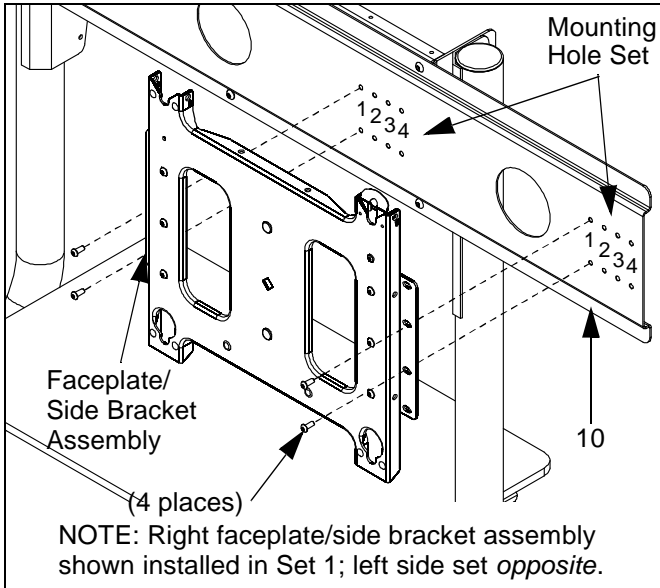
**Figure 6: Mounting Button Measurement**

6. Using measurement from previous step, determine mounting holes to be used in bracket (10) from the following table:

**NOTE:** The following table assumes that displays are symmetrical and of equal size. If they are not, adjust location accordingly.

IF mounting button measurement is:	THEN use bracket (10) mounting holes:
11-7/8" or less	Set 1 (inner holes)
More than 11-7/8" and up to 12-7/8"	Set 2
More than 12-7/8" and up to 13-7/8"	Set 3
More than 13-7/8" and up to 14-7/8"	Set 4 (outer holes)

7. Using hex key (60), install four of the retained 1/4"-20 x 5/8" button head cap screws through retained faceplate/side bracket assembly into appropriate set of mounting holes in bracket (10) (See Figure 7). Tighten securely.



**Figure 7: Install Faceplate/Side Bracket Assembly**

8. Repeat previous step for second faceplate/side bracket assembly.



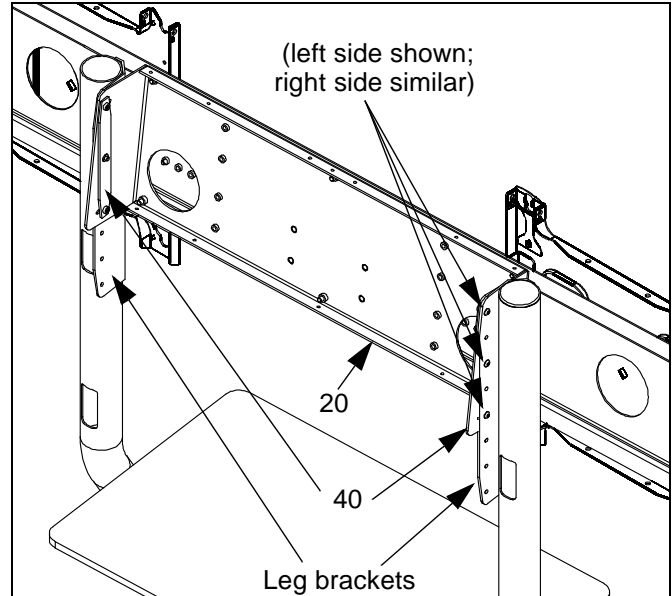
**WARNING:** Display is very heavy! Ensure display can be safely lifted and maneuvered as required for installation. Failure to take adequate precautions or follow all display installation instructions included with PPC Cart can result in serious personal injury or damage to equipment!

9. Install displays and cables. Ensure casters are locked *during* installation, and that mounting buttons are completely engaged in mounting holes. See instructions included with PPC Cart.
10. Installation is complete.

## ADJUSTMENT

### TILT

1. Using hex key (60), slightly loosen six screws used to attach head (20) and spreaders (40) to leg brackets (See Figure 8). Do NOT remove screws.



**Figure 8: Tilt Adjustment**

2. Tilt head (20) to desired angle.
3. Tighten all six screws.