

THE INFORMATION CONTAINED IN THIS DRAWING IS THE SOLE PROPERTY OF PREMIER MOUNTS DIVISION OF <PMPI>. ANY REPRODUCTION IN PART OR WHOLE WITHOUT THE WRITTEN PERMISSION OF PREMIER MOUNTS DIVISION OF <PMPI> IS PROHIBITED.

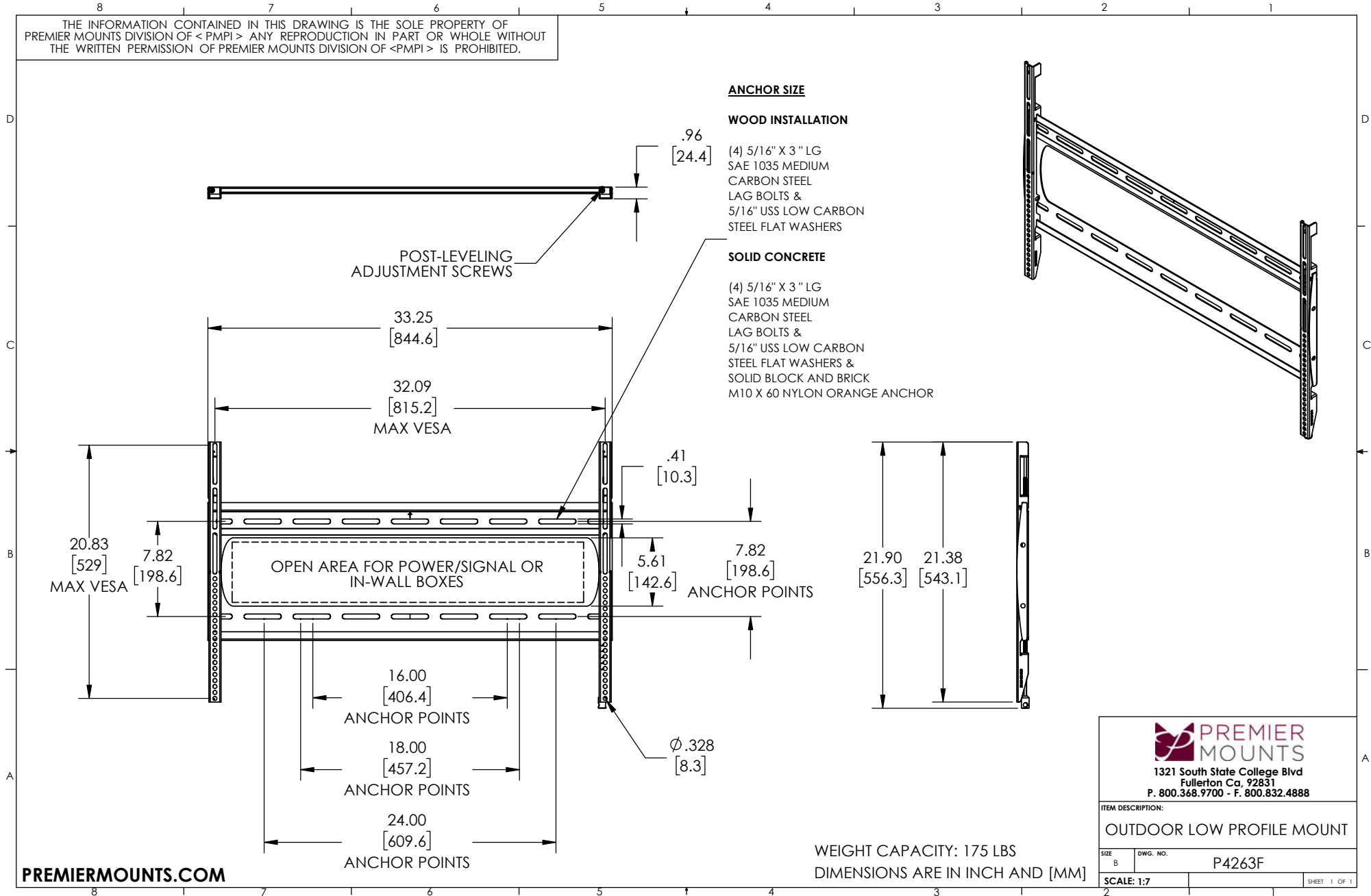
**ANCHOR SIZE**

**WOOD INSTALLATION**

(4) 5/16" X 3" LG  
SAE 1035 MEDIUM  
CARBON STEEL  
LAG BOLTS &  
5/16" USS LOW CARBON  
STEEL FLAT WASHERS


**SOLID CONCRETE**

(4) 5/16" X 3" LG  
SAE 1035 MEDIUM  
CARBON STEEL  
LAG BOLTS &  
5/16" USS LOW CARBON  
STEEL FLAT WASHERS &  
SOLID BLOCK AND BRICK  
M10 X 60 NYLON ORANGE ANCHOR

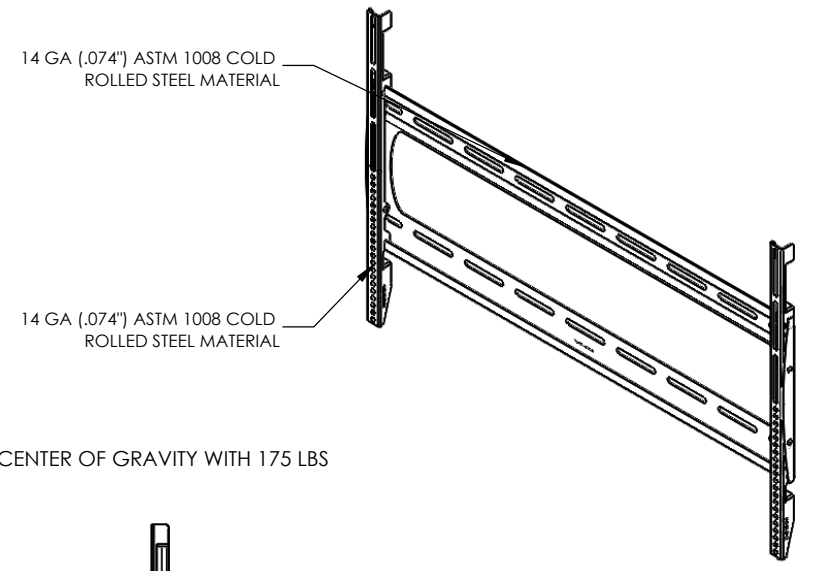
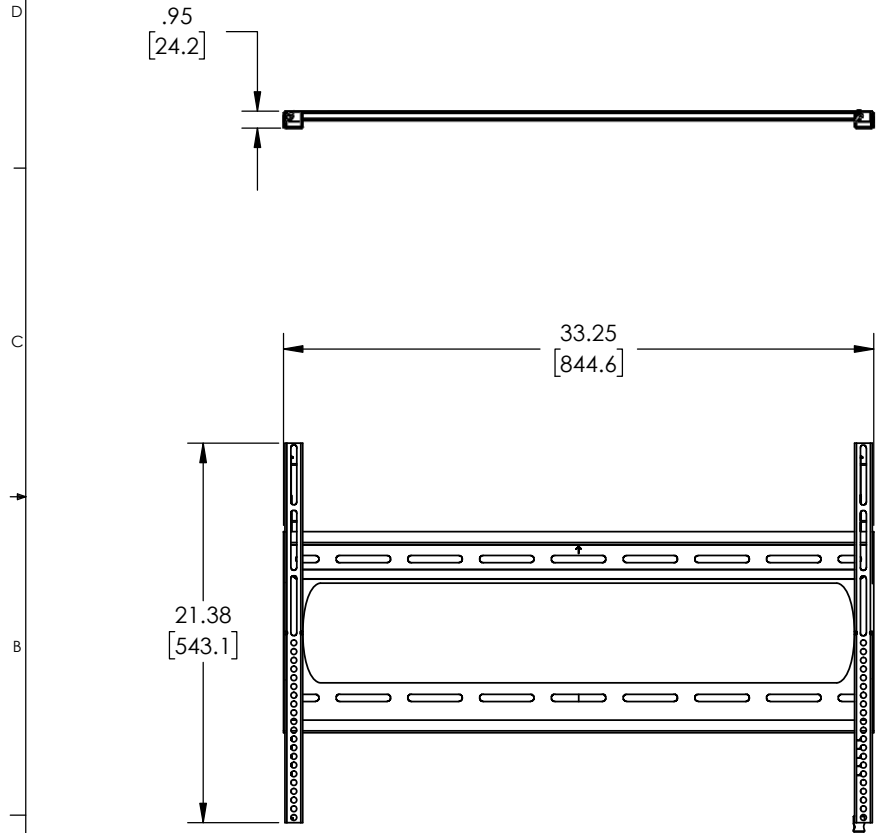


PREMIERMOUNTS.COM

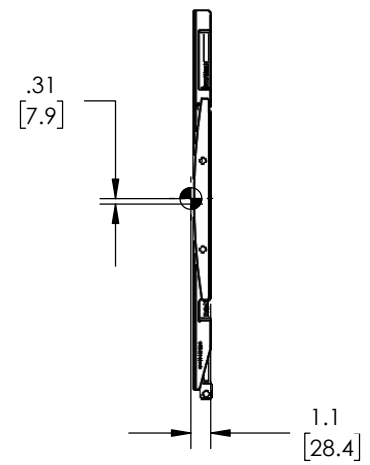
WEIGHT CAPACITY: 175 LBS  
DIMENSIONS ARE IN INCH AND [MM]

	
1321 South State College Blvd Fullerton Ca, 92831 P. 800.368.9700 - F. 800.832.4888	
ITEM DESCRIPTION:	
OUTDOOR LOW PROFILE MOUNT	
SIZE	DWG. NO.
B	P4263F
SCALE: 1:7	
SHEET 1 OF 1	

THE INFORMATION CONTAINED IN THIS DRAWING IS THE SOLE PROPERTY OF PREMIER MOUNTS DIVISION OF <PMPI>. ANY REPRODUCTION IN PART OR WHOLE WITHOUT THE WRITTEN PERMISSION OF PREMIER MOUNTS DIVISION OF <PMPI> IS PROHIBITED.




CENTER OF GRAVITY WITH 175 LBS



OPM CERT. #: OPM-0412-13

PREMIERMOUNTS.COM

WEIGHT CAPACITY: 175 LBS  
DIMENSIONS ARE IN INCH AND [MM]

 <b>PREMIER MOUNTS</b> 1321 South State College Blvd Fullerton Ca, 92831 P. 800.368.9700 - F. 800.832.4888	
ITEM DESCRIPTION:	
OUTDOOR LOW PROFILE MOUNT	
SIZE B	DWG. NO. P4263F
SCALE: 1:7	
SHEET 1 OF 1	