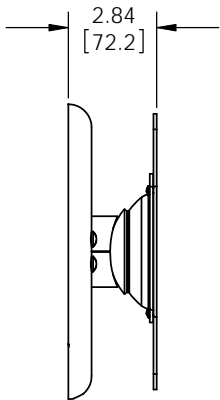
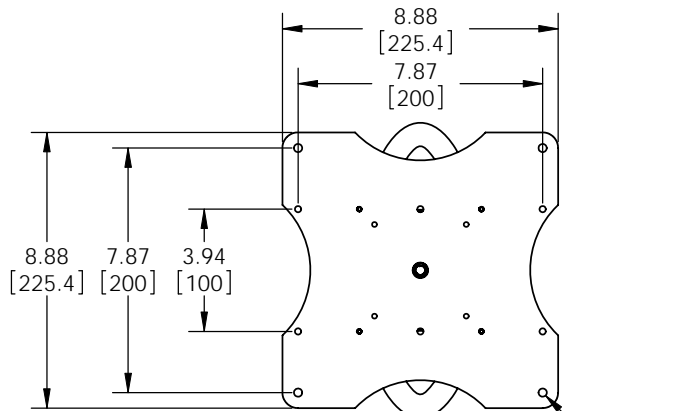
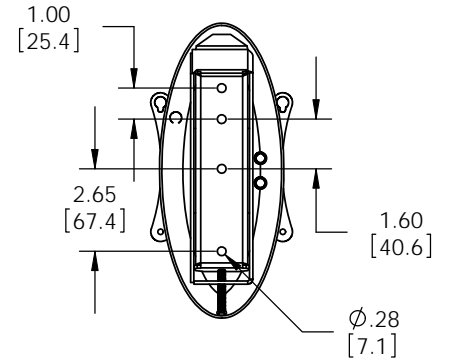
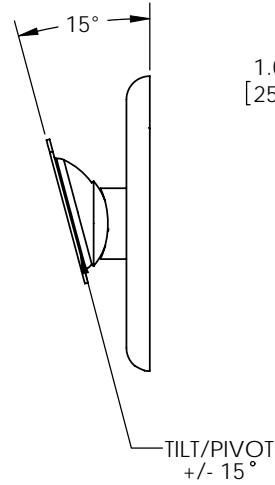
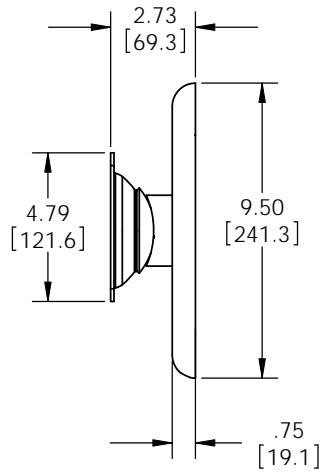
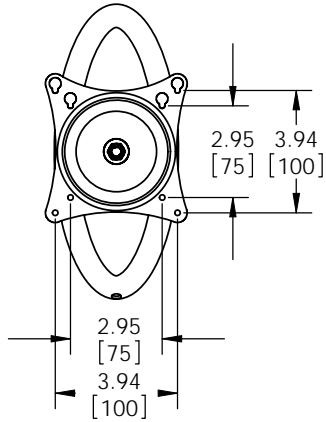
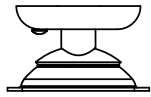


THE INFORMATION CONTAINED IN THIS DRAWING IS THE SOLE PROPERTY OF PREMIER MOUNTS DIVISION OF <PMPI>. ANY REPRODUCTION IN PART OR WHOLE WITHOUT THE WRITTEN PERMISSION OF PREMIER MOUNTS DIVISION OF <PMPI> IS PROHIBITED.

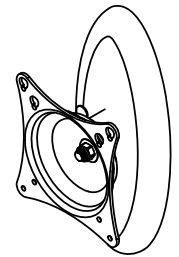


SHOWN WITH
100X200 / 200 X 200
ADAPTER



SHOWN WITH
100X200 / 200 X 200
ADAPTER

Ø.27 [6.8]



MOUNTS.COM

PREMIER MOUNTS®
CREATING POSITIVE CUSTOMER EXPERIENCES

3130 East Miraloma Avenue
Anaheim, CA 92806
P. 800.368.9700 - F. 800-832.4888

ITEM DESCRIPTION:		PTM	
SIZE	DWG. NO.		
B			
SCALE: 1:1		SHEET 1 OF 1	