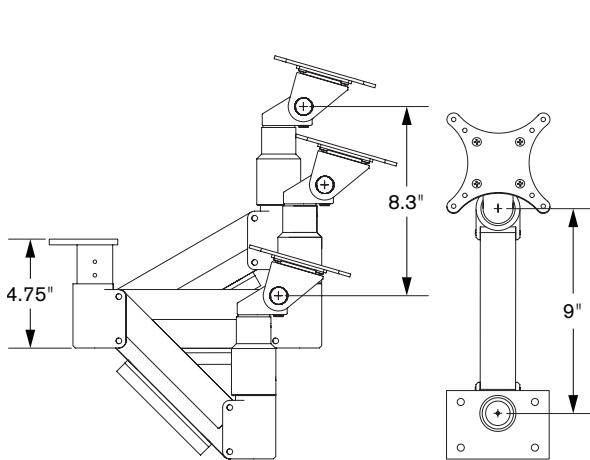


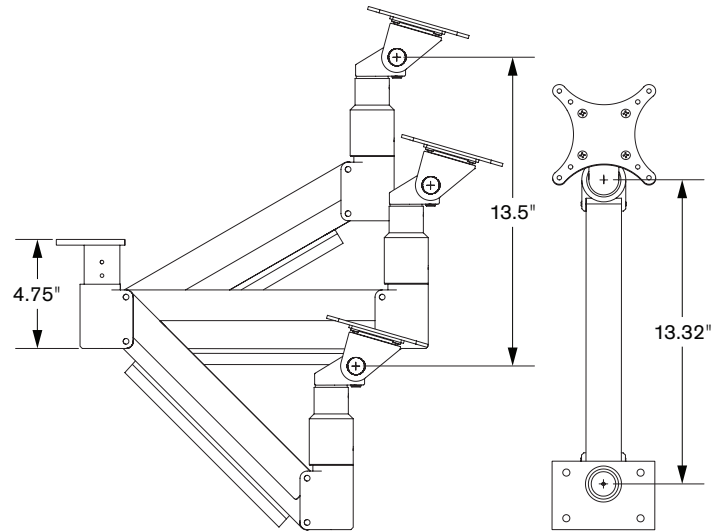
Gaming Table Arms

Specifications



SIDE VIEW
Vertical Range

TOP VIEW
Horizontal Range



SIDE VIEW
Vertical Range

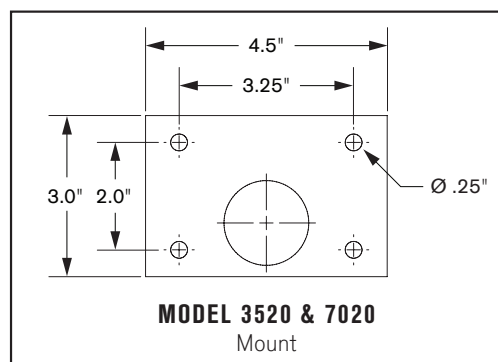
TOP VIEW
Horizontal Range

Model 3520

- Vertical range** 8.3"
- Horizontal range** 9"
- Rotation** 360 degrees at two joints
- Monitor tilt** 200 degrees
- Monitor pivot** Landscape to portrait
- Monitor compatibility** VESA® MIS-D, 100/75, C compliant
- Cable management** Cables are clipped beneath arm
- Monitor weight/
model number** 8 - 15 lbs / 3520-350

Model 7020

- Vertical range** 13.5"
- Horizontal range** 13.32"
- Rotation** 360 degrees at two joints
- Monitor tilt** 200 degrees
- Monitor pivot** Landscape to portrait
- Monitor compatibility** VESA® MIS-D, 100/75, C compliant
- Cable management** Cables are clipped beneath arm
- Monitor weight/
model number** 7 - 18 lbs / 7020-500HY



Phone: 800.524.2744 | Fax: 610.253.9521 | Email: sales@LCDarms.com | Web: www.LCDarms.com