

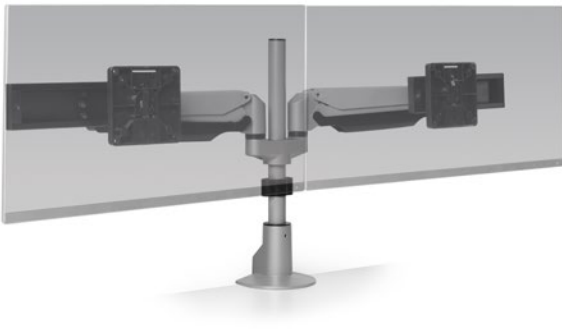


E2 CONNEX

MONITOR ARMS

CONFIGURABLE. EXPANDABLE. ENHANCED.

The E2 Connex monitor arm is designed to enhance interactions between you and your technology. With E2 Connex, you can add or remove monitors without compromising your original configuration.



Choose between static or dynamic arms or add sliders for fine-tuned monitor adjustment. Easy to install, easy to change up, and easy to accessorize, the E2 Connex monitor arm helps to build a complete, individualized workspace.

FEATURES

- **Easy:** Quick install with our top down clamp mount.
- **Modular:** Easily expand set-up to include more (or larger) monitors.
- **Adaptable:** Add or remove monitors without compromising the original configuration.
- **Convenient:** Our available Snap-On Charging Cap adds convenient, fast-charging USB ports to your workspace.

SPECIFICATIONS

Finishes

Flat White
248

Silver
124

Vista Black
104

Mount: Desk Edge, Grommet

Compatibility: Up to 1.5" desk thickness

WARRANTY

10 Years

E2 CONNEX DYNAMIC



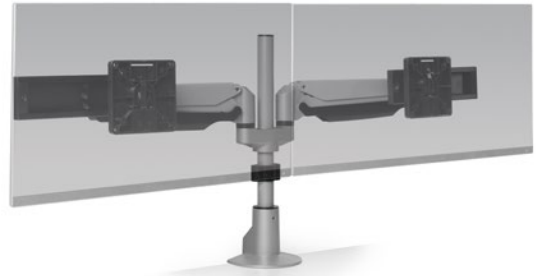
E2 CONNEX DYNAMIC SINGLE

Screen Size: Any size within weight capacity

Weight Capacity:

Flat Panel Monitor: 2.2 - 20 lbs.
Curved Monitor: Up to 16 lbs.

Part Number: E2-01-SD-___

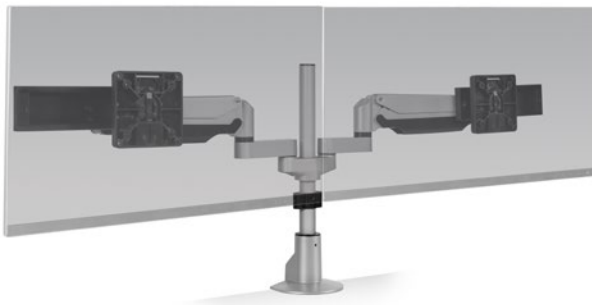


E2 CONNEX DYNAMIC DUAL

Screen Size: Up to 32" (bezel measured left to right)

Weight Capacity: 2.2 - 20 lbs. per monitor

Part Number: E2-02-D-___

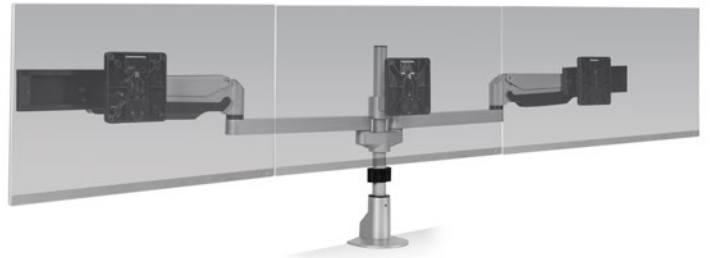


E2 CONNEX DYNAMIC DUAL WIDE

Screen Size: Up to 39" (bezel measured left to right)

Weight Capacity: 2.2 - 20 lbs. per monitor

Part Number: E2-02-SD-___



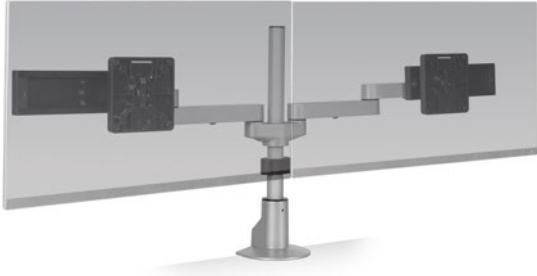
E2 CONNEX DYNAMIC TRIPLE

Screen Size: Up to 28.5" (bezel measured left to right)

Weight Capacity: 2.2 - 20 lbs. per monitor

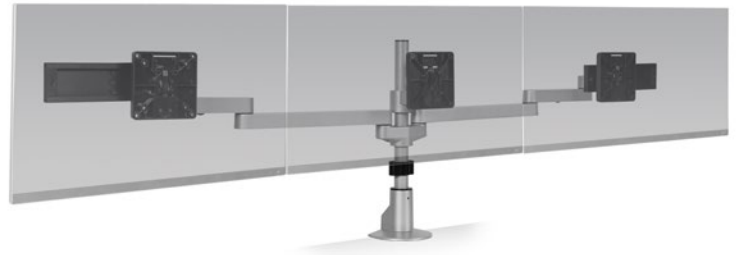
Part Number: E2-03-SD-___

E2 CONNEX STATIC



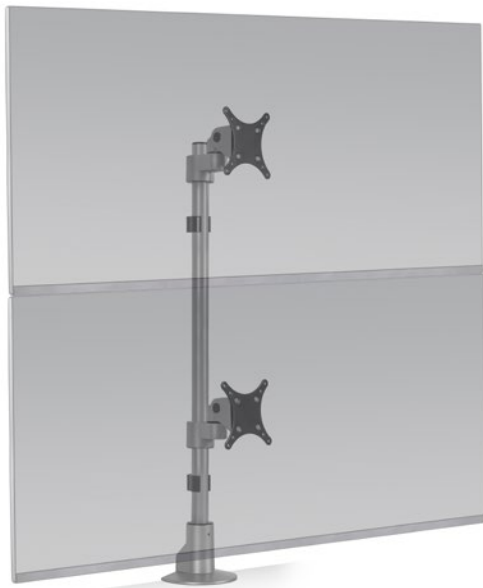
E2 CONNEX STATIC DUAL

Screen Size: Up to 37" (bezel measured left to right)
Weight Capacity: 2.2 - 20 lbs. per monitor
Part Number: E2-02-SS-__ _



E2 CONNEX STATIC TRIPLE

Screen Size: Up to 27.5" (bezel measured left to right)
Weight Capacity: 2.2 - 20 lbs. per monitor
Part Number: E2-03-SS-__ _



E2 CONNEX STATIC ONE OVER ONE

Screen Size:
One Flat Panel Monitor: Up to 43" (16:9 aspect ratio)
Two Flat Panel Monitors: Up to 49" (21:9 aspect ratio)
Two Curved Monitors: Up to 49" (21:9 aspect ratio)
Weight Capacity:
Flat Panel Monitors: Up to 40 lbs. per monitor
Curved Monitors: 0 - 26.5 lbs. per monitor
Part Number: E2-11-HD-__ _