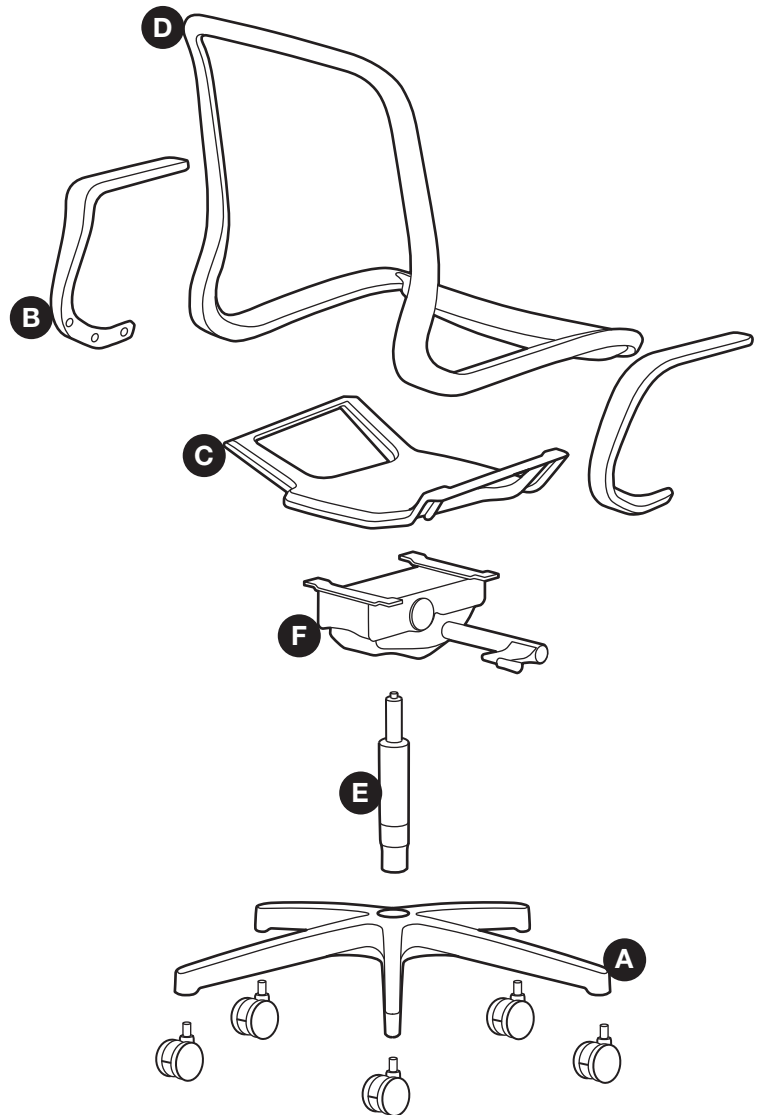


recommended tools

- Safety Glasses
- Work Gloves
- Flat Head Screw Driver
- Socket Wrench Set
- Torx Wrench Set
- Hammer (Sledge preferred)
- Pipe Wrench (24 inch preferred)
- Utility Knife
- Magnet

recyclable material

- A** Base — Plastic or Aluminum
- B** Arm — Plastic
- C** Seat Frame — Plastic
- D** Mesh Frame — Plastic
- E** Cylinder — Steel
- F** Mechanism — Aluminum
- G** Hardware — Steel



steps to disassemble

- 1 Start by laying the chair on its back.
- 2 Pull the casters off the base. Use a flat head screw driver if needed to pry them loose.
- 3 Separate the base **(A)** from the cylinder **(E)** by striking the bottom of the cylinder housing with a hammer.
- 4 For stool models, remove the footring from the cylinder by loosening the handwheel. If no handwheel is found, twist the entire footring.
- 5 Remove the cylinder from the mechanism **(F)** using a pipe wrench to twist the piston.
- 6 Remove the arms **(B)** from the mesh frame **(D)** with an torx wrench.
- 7 Locate four bolts holding the mechanism to the seat frame **(C)** and remove with a socket wrench.
 If mechanism is integrated into the seat frame is cannot be separate for recycling.
- 8 Remove the seat frame from the mesh frame with a torx wrench.
- 9 Cut the mesh from the mesh frame with a utility knife.