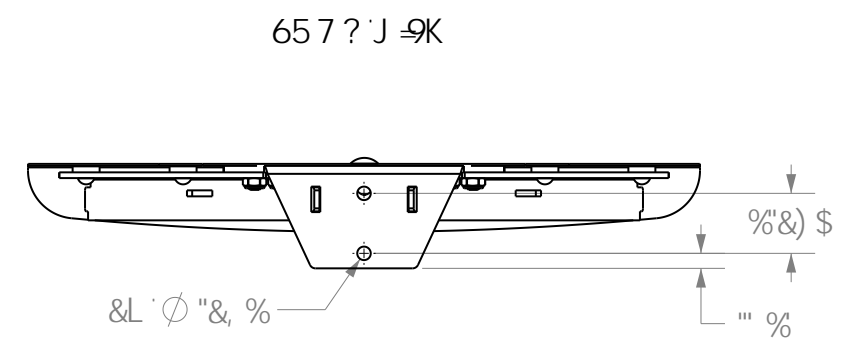
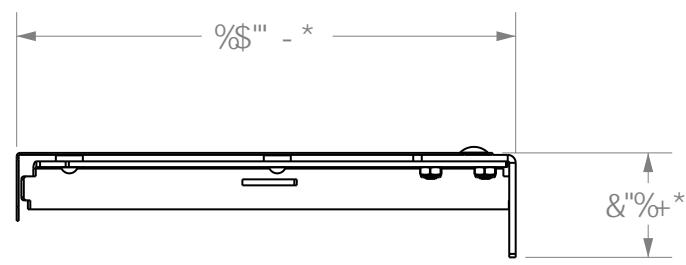
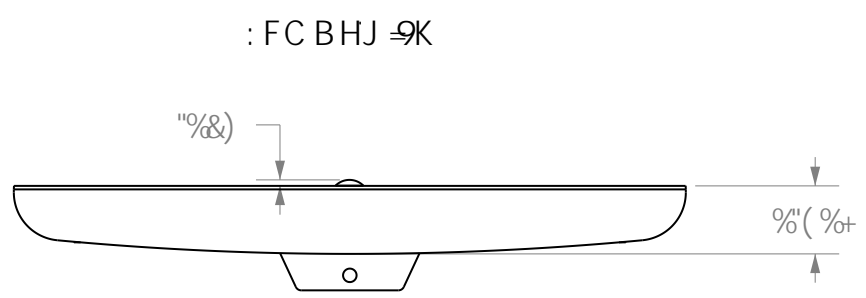
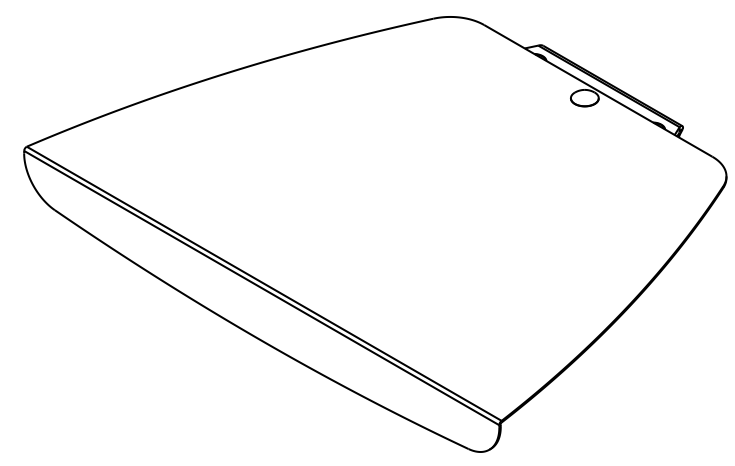
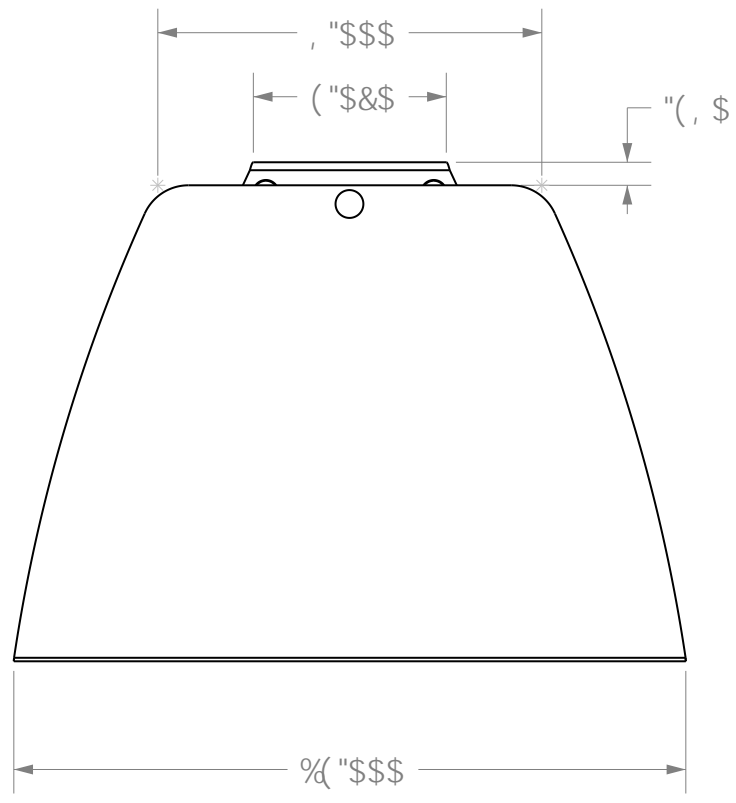


8  
7  
6  
5



7 < 9. A 5BI : 57H FB; 'B7"  
 A CI BHC F89F BI A 69F 'GD57!%\$%  
 D < CB9. %, \$ \$!), & \* (, \$

G < 99HG7 5 @ 9'1 % (

H 9-B: CFA 5HCB '5B8 '89G; BG7CBH5-B98  
 -B 'H-G'8F5K -B; '5F97CB: -89BH5@5B8 'H 9  
 DFCDF-9-5FMDFC D9FMC: 7 < 9. 'A: ; 'Z-B7"  
 B9H 9F 'H-G'89G; B 'BCF '5BM-B: CFA 5HCB  
 7CBH5-B98 -B 'H-G'8F5K -B; 'A 5M69  
 F9DFC 8I 798 'CF '8-67 @G98 'H C 'H 9FG  
 K H-CI H 99LDF9GGK F-H9B 7CB99BHC:  
 7 < 9. 'A: ; 'Z-B7"



71 GCA 9F 'DF-BH  
 D57!%\$%

6 D57!%\$%

..D57!%\$%

8

7

6

5