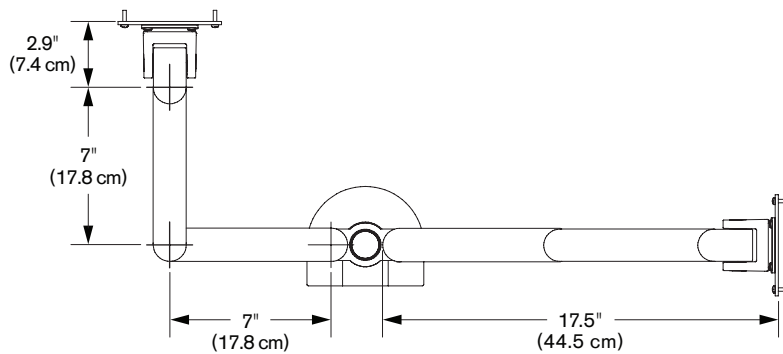
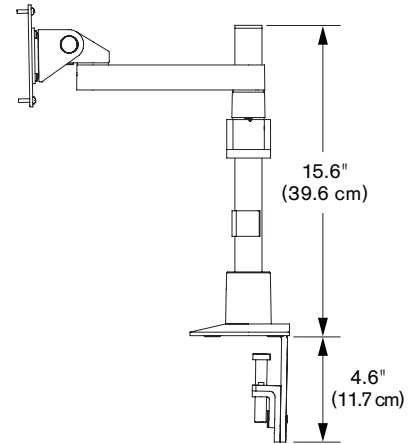


Model 9163

Specifications



TOP VIEW

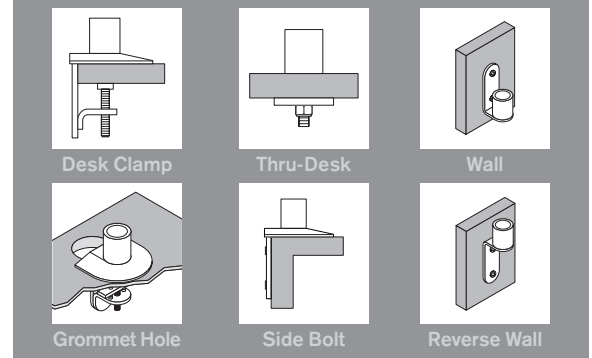


SIDE VIEW

CAPABILITIES

- Horizontal range.....17.5" (44.5 cm)
- Pole height.....14" (36 cm)
- Monitor tilt.....200 degrees
- Monitor pivot.....Landscape to portrait
- Monitor compatibility.....VESA® 75mm and 100mm
- Mounting options.....FLEXmount™, Slatwall, Wall, Thru-Desk
- Monitor weight.....Up to 40 lbs (18 kg) per monitor

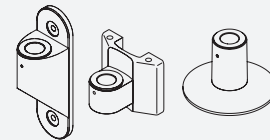
FLEXMOUNT™ CONFIGURATIONS



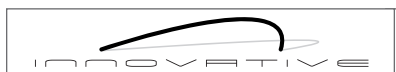
OPTIONAL ACCESSORIES



QUICK RELEASE ADAPTERS
Allows for quick attach and release of monitor (8336-QR).



MOUNTS
Wall (8325), slatwall (8246) and thru-desk (8312).



Phone: 800.524.2744 | Fax: 610.253.9521 | E-mail: sales@LCDarms.com | Web: www.LCDarms.com

This product is protected by one or more of the following U.S. Patent Nos. and other United States and foreign patents applied for: 119,345, 119,346, 1,324,842, 2,470,525, 6,076,785, 6,273,383, 6,409,134, 6,478,274, 6,499,704, 6,505,988, 6,609,691, 6,119,606, 6,719,253, 6,726,167, 6,736,364, 6,783,105, 6,854,698, 6,915,994, 6,935,883, 6,955,328, 6,983,917, 6,986,489, 7,014,157, 7,017,874, 7,048,242, 7,059,574, 7,063,296, 7,066,433, 7,066,435, 7,389,965, 7,665,699, D435,852, D491,952, D492,893, D670,853, D675,293.