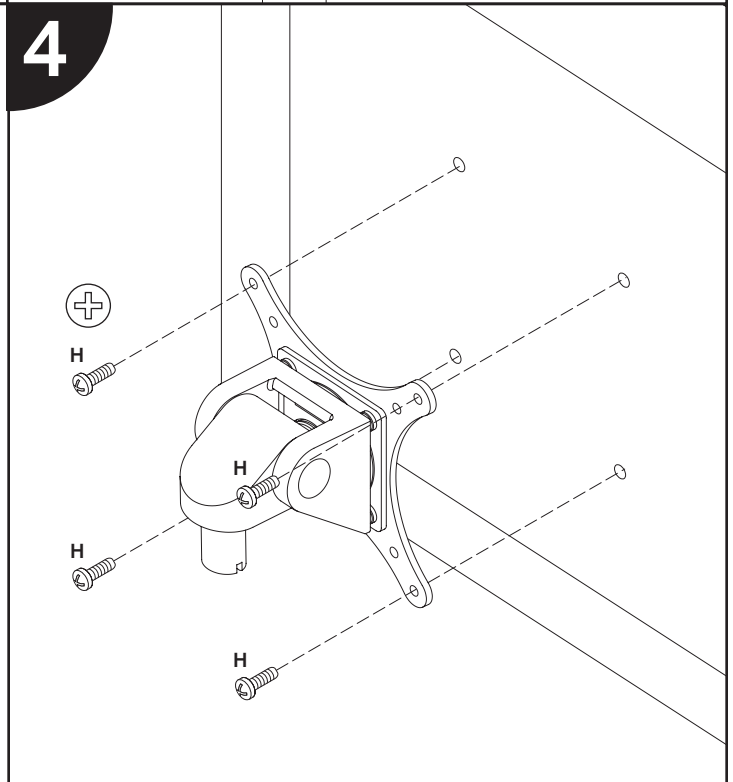
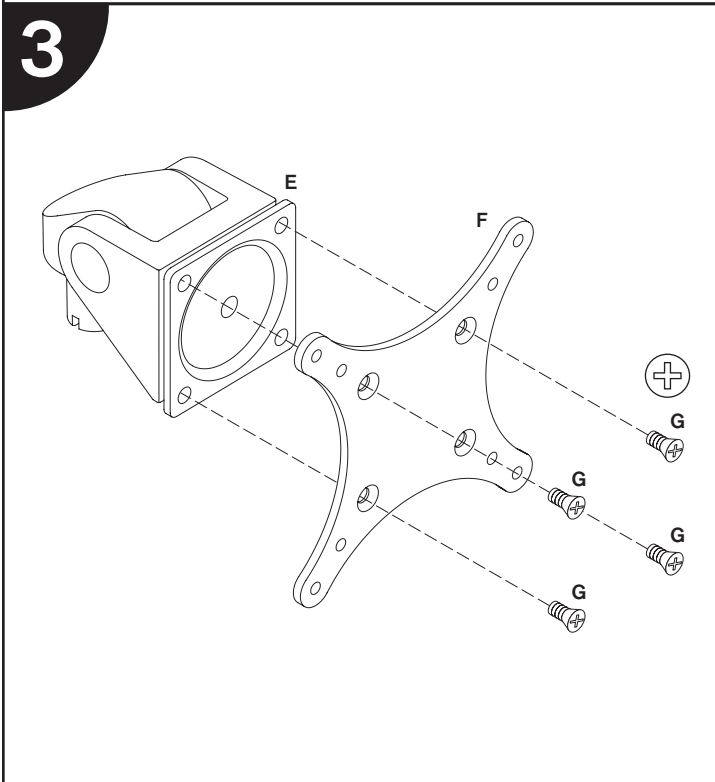
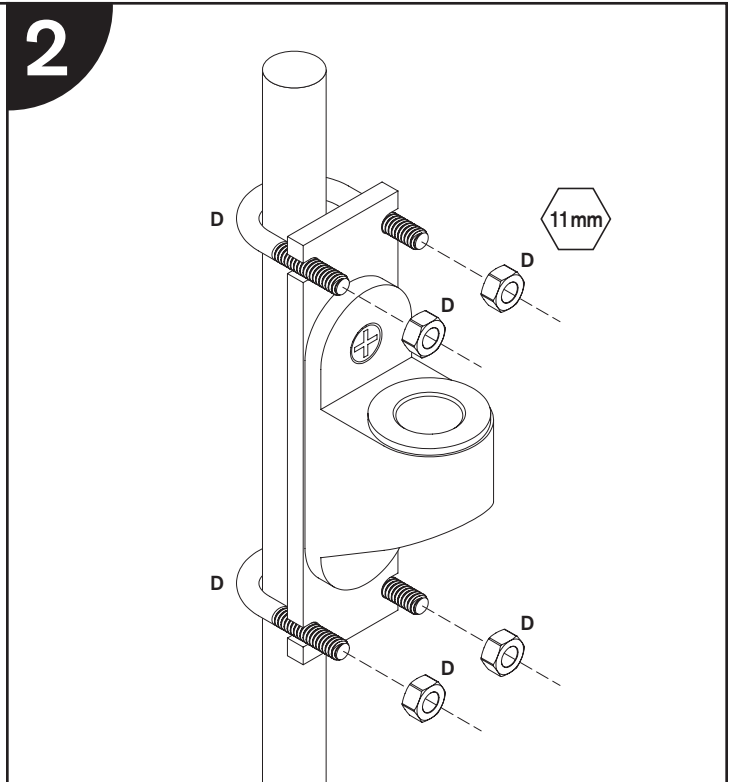
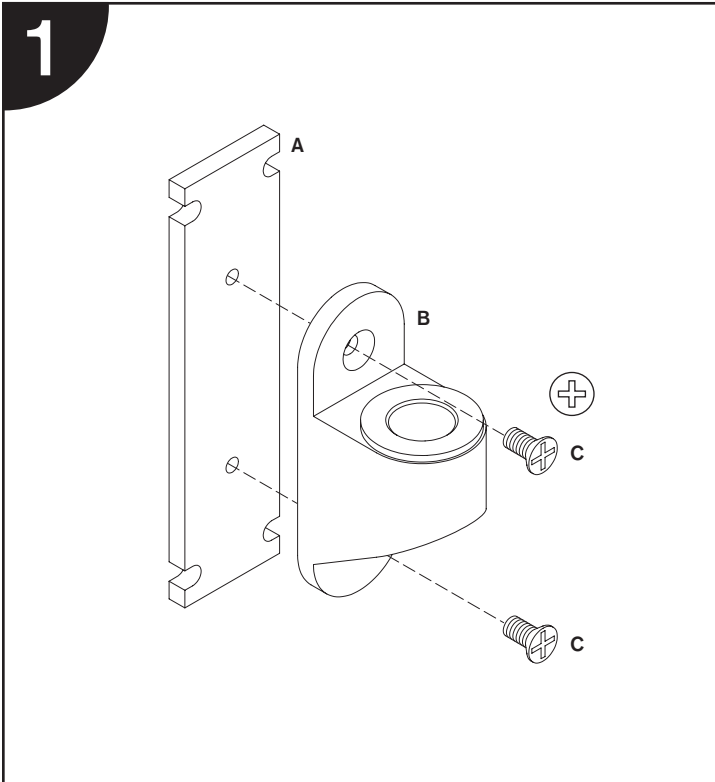


MODEL 9110-8460

Installation Instructions

NOTE: THERE MAY BE
ADDITIONAL PARTS
UNDER TRAY.

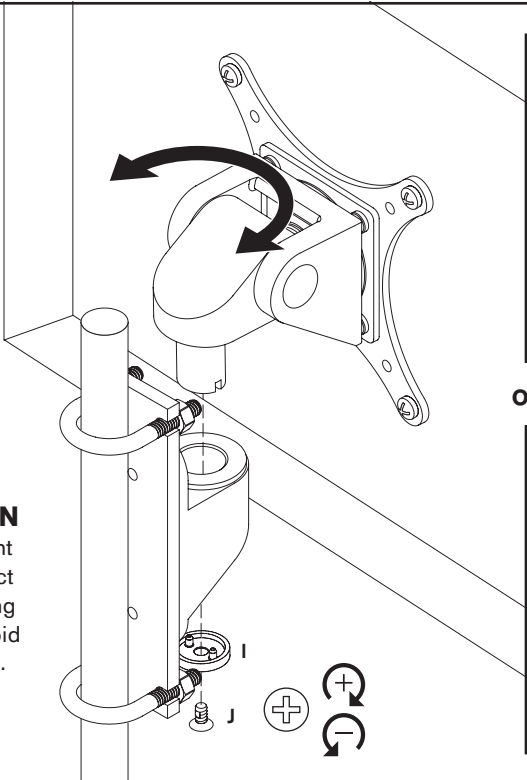
PLEASE REVIEW
ENTIRE PACKAGE
PRIOR TO DISCARDING.



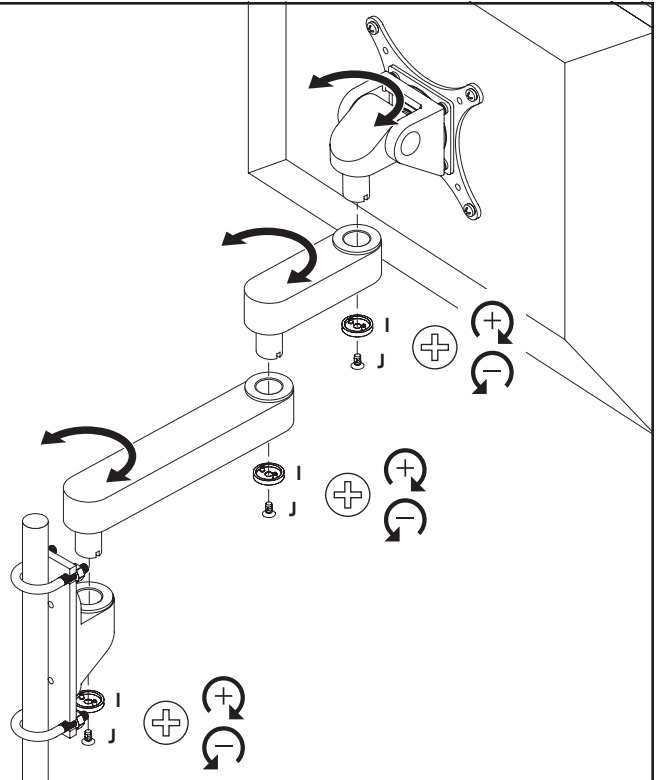
5



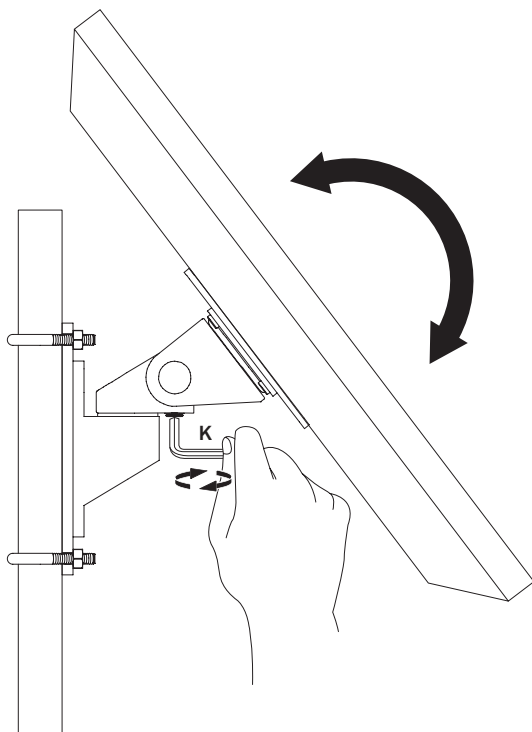
ATTENTION
Ensure weight ratio is correct when installing monitor to avoid shelf tipping.



or

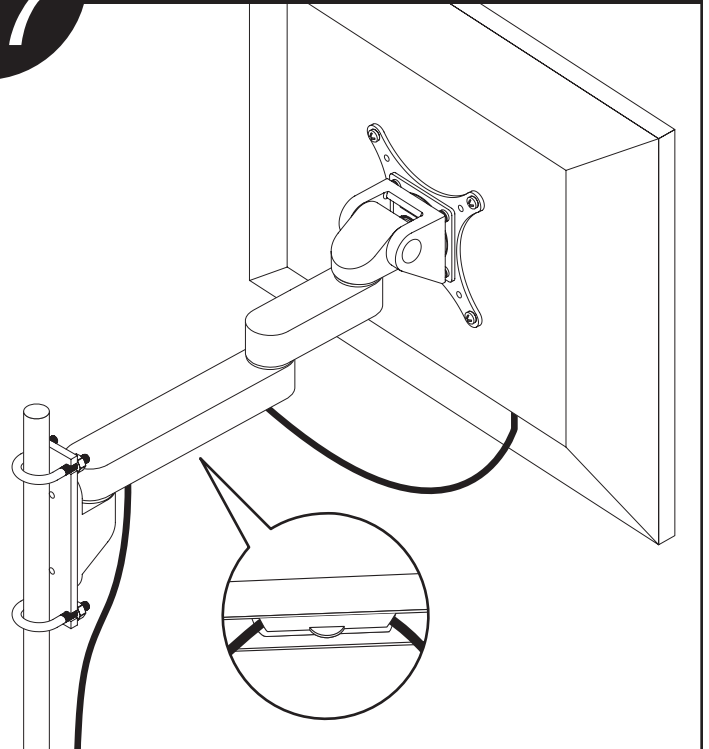


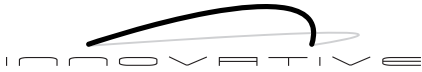
6



7

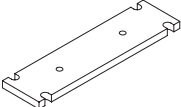


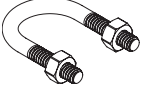
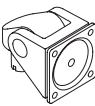


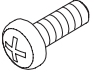
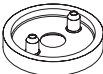

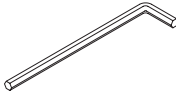
9110-8460-8.5, 9110-8460-8.5-4, 9110-8460-8.5-8.5 ONLY





MODEL 9110-8460

Parts List

ITEM	DESCRIPTION / PART NO.	QUANTITY		
		9110-8460	9110-8460-4, 9110-8460-8.5	9110-8460-8.5-4, 9110-8460-8.5-8.5
A	 9110 Adapter Plate 111017	1	1	1
B	 Wall Mount RP406795	1	1	1
C	 FPHMS, 1/4-20 x 1/2 700987	1	1	1
D	 1/4-20 U-Bolt 111018	2	2	2
E	 Monitor Tilter 405397	1	1	1
F	 75/100mm VESA® Adapter Plate 105587	1	1	1
G	 10-32 x 3/8" Phillips Flat Head Screw 702281	1 (4-pack)	1 (4-pack)	1 (4-pack)
H	 M4-12 Phillips Pan Head Screw 702096	1 (4-pack)	1 (4-pack)	1 (4-pack)
I	 Dog Washer 105189	1	2	3
J	 10-32 x 3/8" FPHMS w/Lock Patch 705198	1	2	3
K	 7/32" Allen Wrench 701127	1	1	1