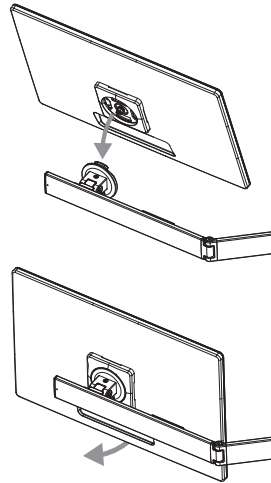


Attach Monitors to Crossbar

Tilt the monitor back and lower onto the monitor mount so the hook fits into the corresponding hole on the VESA bracket. Then rotate the bottom of the monitor back towards the crossbar until the quick release tab snaps into place.

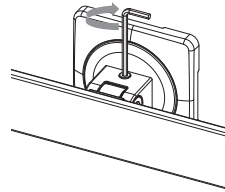
To remove, lift the release tab and pull the bottom of the monitor away from the crossbar, then lift off of the hook.

Max. weight per Monitor: 10lbs. (4.5 kg)

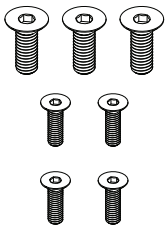


Levelling Monitors

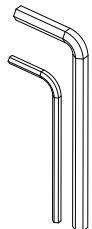
To level the tops of the monitors, turn the screw on top of the hinge with the 4mm hex key. Turning the screw clockwise will raise the monitor and counter-clockwise will lower the monitor.



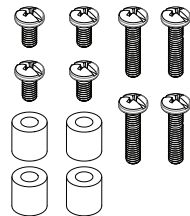
Included Hardware



Crossbar Screws



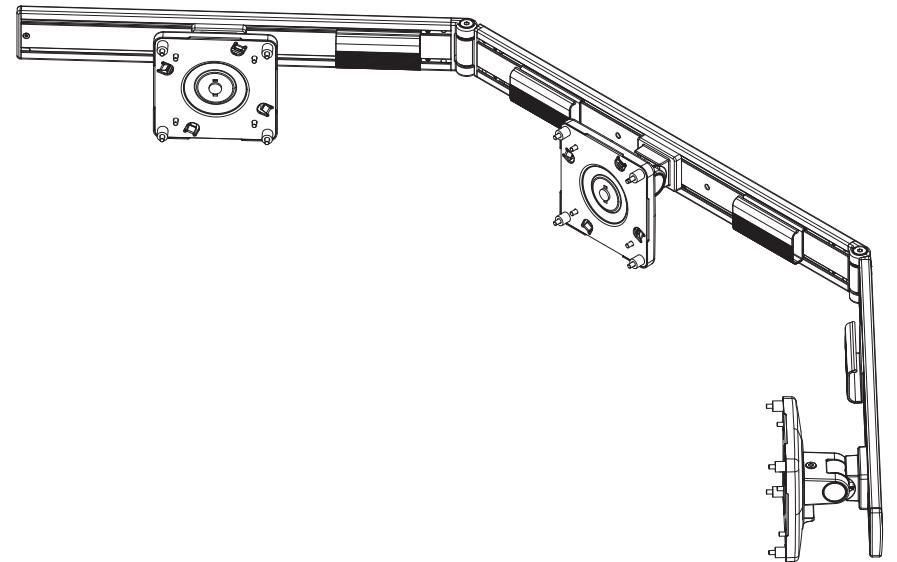
2.5mm + 4mm
Hex Keys



VESA Screw Kit x3

M10

TRIPLE CROSSBAR INSTALLATION INSTRUCTIONS



For our terms and conditions please go to
<https://www.humanscale.com/about/legal-information/terms-conditions.cfm>
www.humanscale.com

GTNPD-IM-4851-001-R01

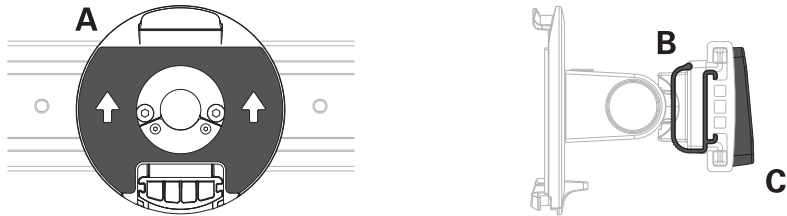
North America: +1 800-400-0625
Europe: +353 (0)1 858 0910
Asia Pacific: +852 2581 0570

Humanscale®

ATTENTION!

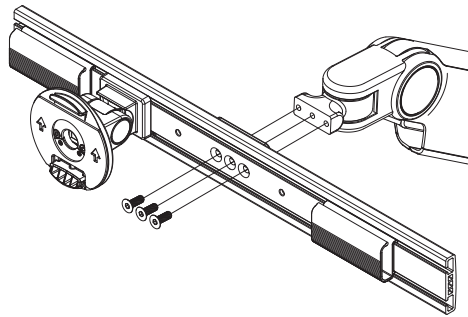
Ensure the correct orientation of the crossbar pieces by checking:

- A.** The arrows on the monitor mounts point upward
- B.** The cable management clips are open at the top
- C.** The rear plastic wedge is wider towards the bottom



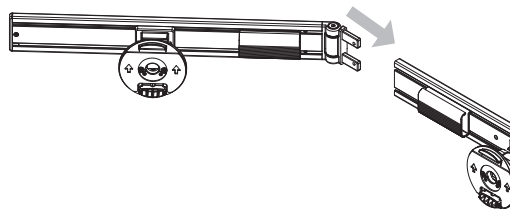
STEP 1:

Orient the center crossbar according to the above guidelines. Attach the crossbar to the M10 arm using the 3 included M6 screws and 4mm hex key.



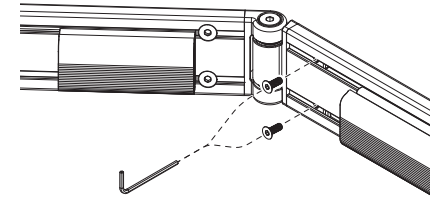
STEP 2:

Insert the side crossbar extensions into both ends of the center crossbar, ensuring the arrows on the monitor mounts face upwards.



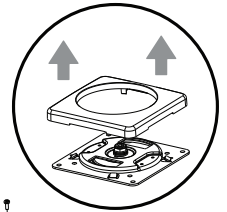
STEP 3:

Using the 2.5mm hex key, install 2 of the smaller M4 screws into the hinge tabs and firmly tighten. Repeat for the opposite side.



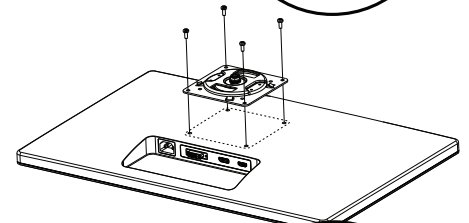
Installation of VESA Brackets

Remove plastic cover from VESA bracket



Position the VESA Bracket over the mounting holes on the back of monitor with the D-shaped cutouts in a vertical orientation.

Attach using the 4 VESA screws provided.



Reinstall the plastic cover

The VESA Bracket features 75mm and 100mm hole patterns. If you need to offset the bracket from the monitor use the provided extended VESA screws and plastic spacers. You may also use the screws that came with your monitor.



Attach Handle to Crossbar (optional):

If your crossbar is configured with a handle, install handle brackets with the included screws using a 4mm hex key.

To adjust the height of the handle, loosen the screws slightly, position the handle in the desired location, then firmly tighten the screws to secure the handle.

