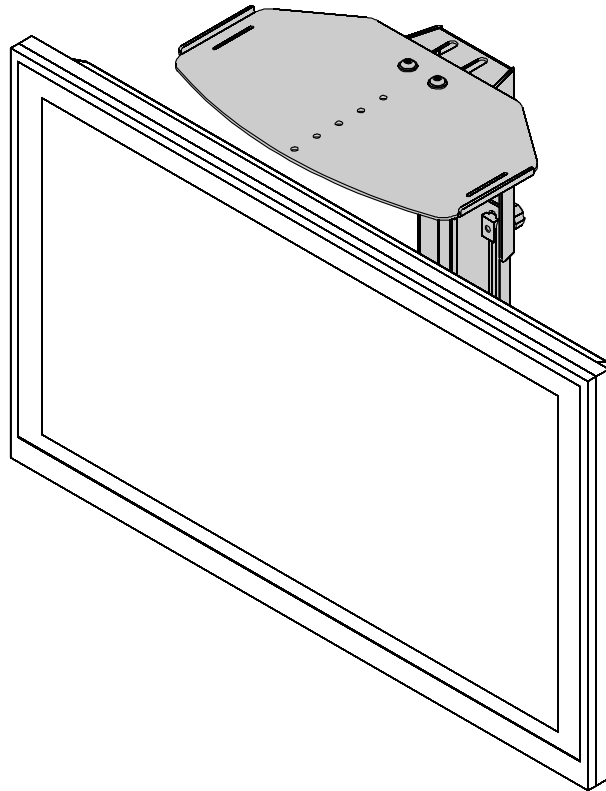


---

# INSTALLATION INSTRUCTIONS

---



---

## Video Conferencing Camera Shelf

---

**DISCLAIMER**

Milestone AV Technologies and its affiliated corporations and subsidiaries (collectively "Milestone"), intend to make this manual accurate and complete. However, Milestone makes no claim that the information contained herein covers all details, conditions or variations, nor does it provide for every possible contingency in connection with the installation or use of this product. The information contained in this document is subject to change without notice or obligation of any kind. Milestone makes no representation of warranty, expressed or implied, regarding the information contained herein. Milestone assumes no responsibility for accuracy, completeness or sufficiency of the information contained in this document.

Chief® is a registered trademark of Milestone AV Technologies. All rights reserved.

**! IMPORTANT WARNINGS AND CAUTIONS!**

**! WARNING:** A WARNING alerts you to the possibility of serious injury or death if you do not follow the instructions.

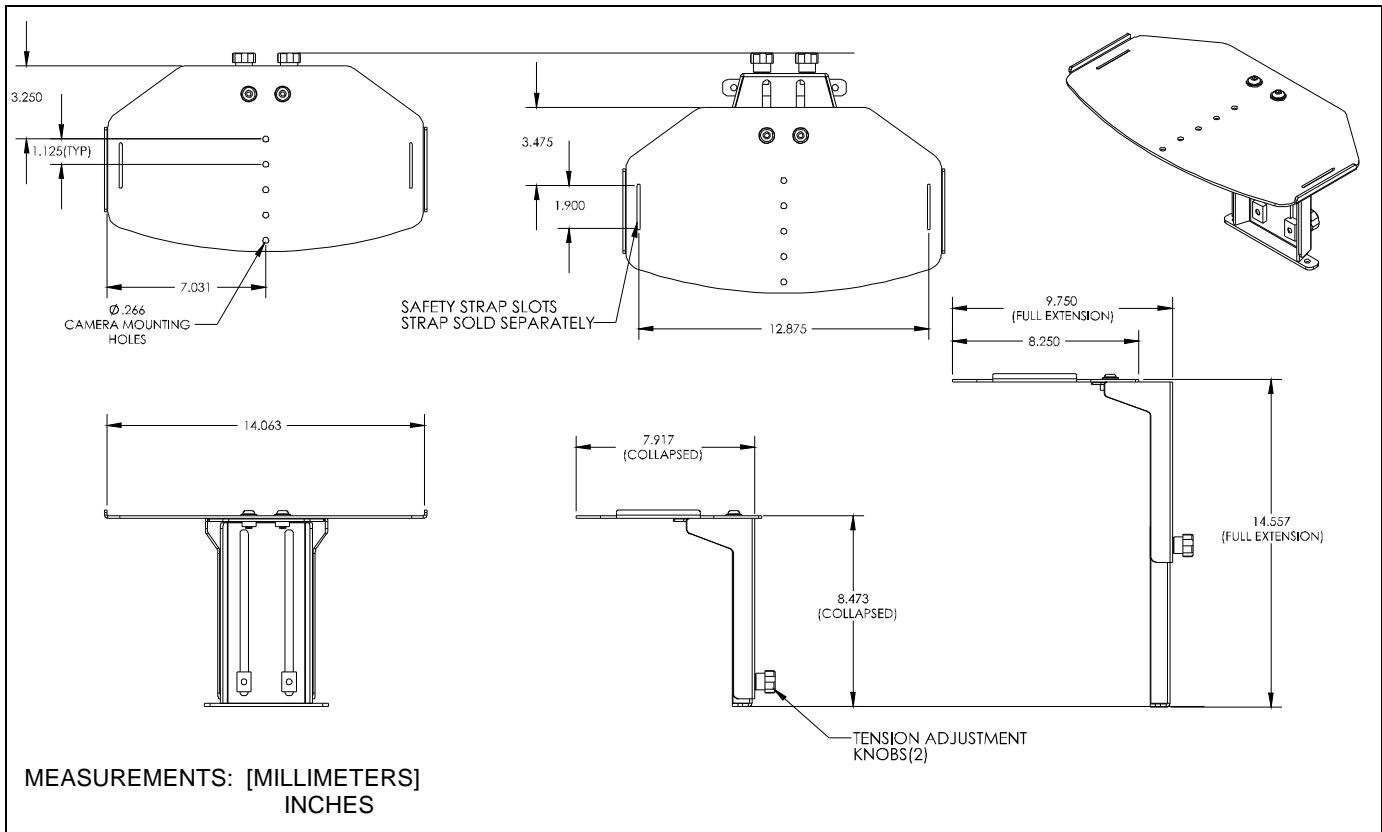
**! CAUTION:** A CAUTION alerts you to the possibility of damage or destruction of equipment if you do not follow the corresponding instructions.

**! WARNING:** Failure to read, thoroughly understand, and follow all instructions can result in serious personal injury, damage to equipment, or voiding of factory warranty! It is the installer's responsibility to make sure all components are properly assembled and installed using the instructions provided.



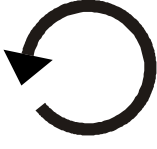


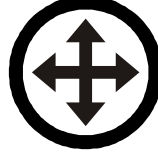






**! WARNING:** Failure to provide adequate structural strength for this component can result in serious personal injury or damage to equipment! It is the installer's responsibility to make sure the structure to which this component is attached can support five times the combined weight of all equipment. Reinforce the structure as required before installing the component. The wall to which the mount is being attached may have a maximum drywall thickness of 5/8" (1.6cm).

**! WARNING:** Exceeding the weight capacity can result in serious personal injury or damage to equipment! It is the installer's responsibility to make sure the combined weight of all equipment and accessories mounted on the PAC716 does not exceed 10 lbs (4.54 kg).

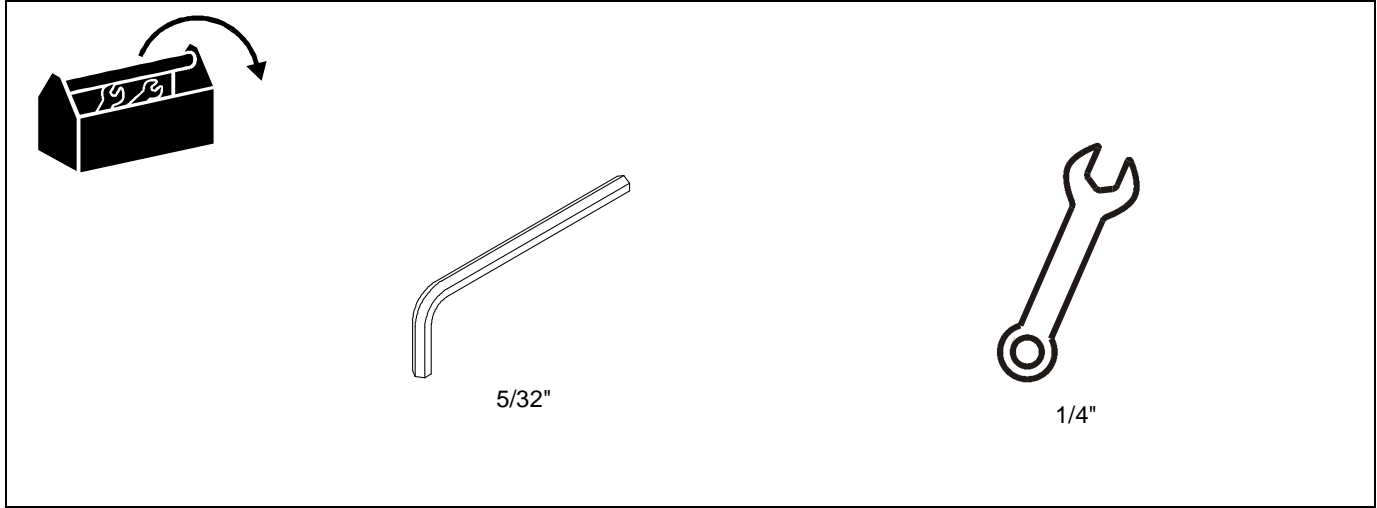
**DIMENSIONS**



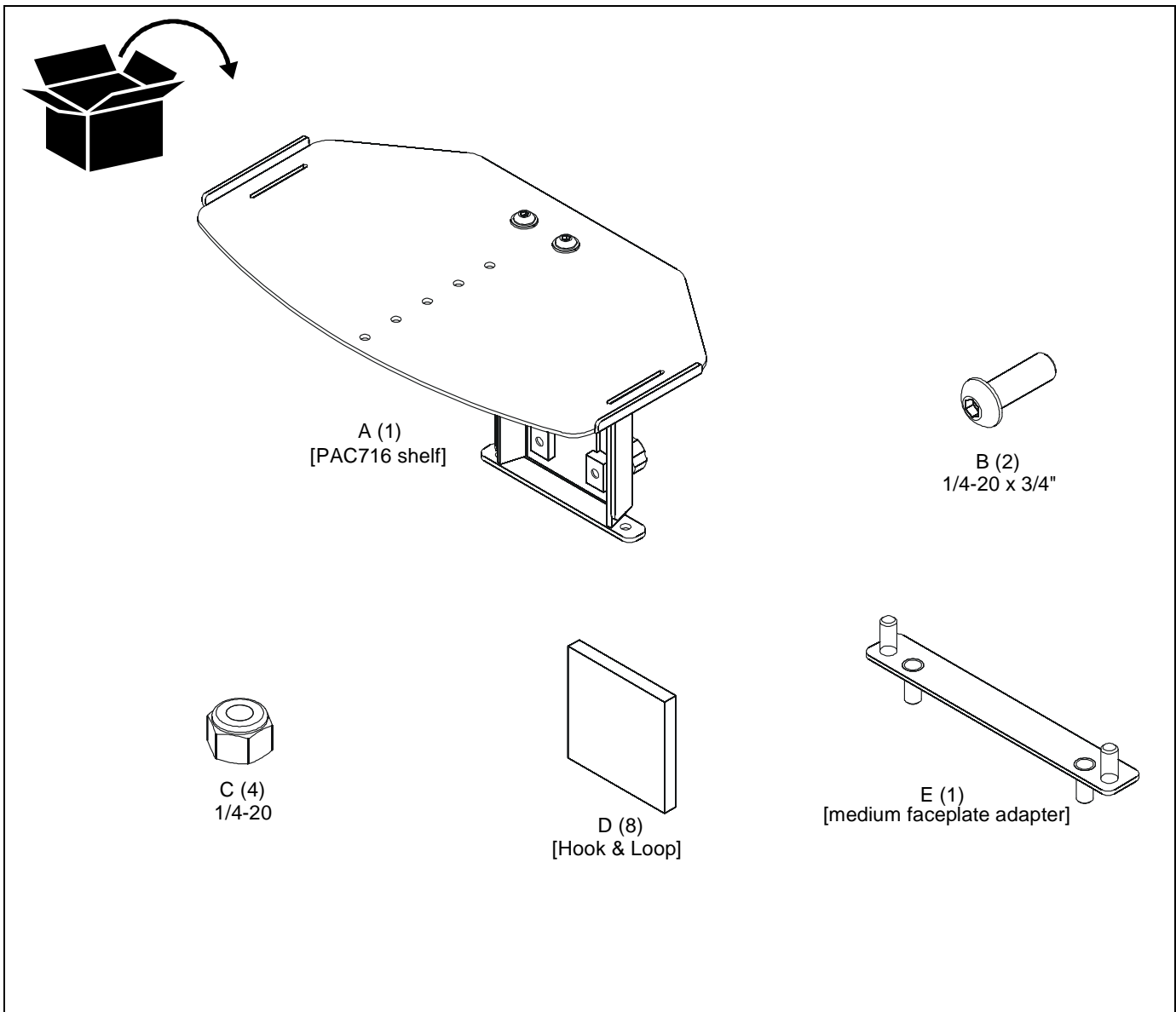
**LEGEND**

	<p><b>Tighten Fastener</b>                  Apretar elemento de fijación                  Befestigungsteil festziehen                  Apertar fixador                  Serrare il fissaggio                  Bevestiging vastdraaien                  Serrez les fixations</p>		<p><b>Pencil Mark</b>                  Marcar con lápiz                  Stiftmarkierung                  Marcar com lápis                  Segno a matita                  Potloodmerkteken                  Marquage au crayon</p>
	<p><b>Loosen Fastener</b>                  Aflojar elemento de fijación                  Befestigungsteil lösen                  Desapertar fixador                  Allentare il fissaggio                  Bevestiging losdraaien                  Desserrez les fixations</p>		<p><b>Drill Hole</b>                  Perforar                  Bohrloch                  Fazer furo                  Praticare un foro                  Gat boren                  Percez un trou</p>
	<p><b>Phillips Screwdriver</b>                  Destornillador Phillips                  Kreuzschlitzschraubendreher                  Chave de fendas Phillips                  Cacciavite a stella                  Kruiskopschroevendraaier                  Tournevis à pointe cruciforme</p>		<p><b>Adjust</b>                  Ajustar                  Einstellen                  Ajustar                  Regolare                  Afstellen                  Ajuster</p>
	<p><b>Open-Ended Wrench</b>                  Llave de boca                  Gabelschlüssel                  Chave de bocas                  Chiave a punte aperte                  Steeksleutel                  Clé à fourche</p>		<p><b>Remove</b>                  Quitar                  Entfernen                  Remover                  Rimuovere                  Verwijderen                  Retirez</p>
	<p><b>By Hand</b>                  A mano                  Von Hand                  Com a mão                  A mano                  Met de hand                  À la main</p>		<p><b>Optional</b>                  Opcional                  Optional                  Opcional                  Opzionale                  Optie                  En option</p>
	<p><b>Hex-Head Wrench</b>                  Llave de cabeza hexagonal                  Sechskantschlüssel                  Chave de cabeça sextavada                  Chiave esagonale                  Zeskantsleutel                  Clé à tête hexagonale</p>		<p><b>Security Wrench</b>                  Llave de seguridad                  Sicherheitsschlüssel                  Chave de segurança                  Chiave di sicurezza                  Veiligheidssleutel                  Clé de sécurité</p>

### TOOLS REQUIRED FOR INSTALLATION



### PARTS



## Installation

**NOTE:** The PAC716 video conferencing shelf can be mounted before or after the display is mounted to the faceplate. It may be mounted above or below the display if mounting to a large faceplate. It may only be mounted above the display if mounting to a medium faceplate.

### Attach to Large Faceplate

1. Position PAC716 shelf (A) above or below the faceplate making sure to line up the holes on the shelf with the holes on the faceplate. (See Figure 1 or 2)
2. Install two 1/4-20 x 3/4" button head cap screws (B) through holes in shelf and faceplate. (See Figure 1 or 2)
3. Thread two 1/4-20" lock nuts onto screws to fasten shelf to faceplate. (See Figure 1 or 2)

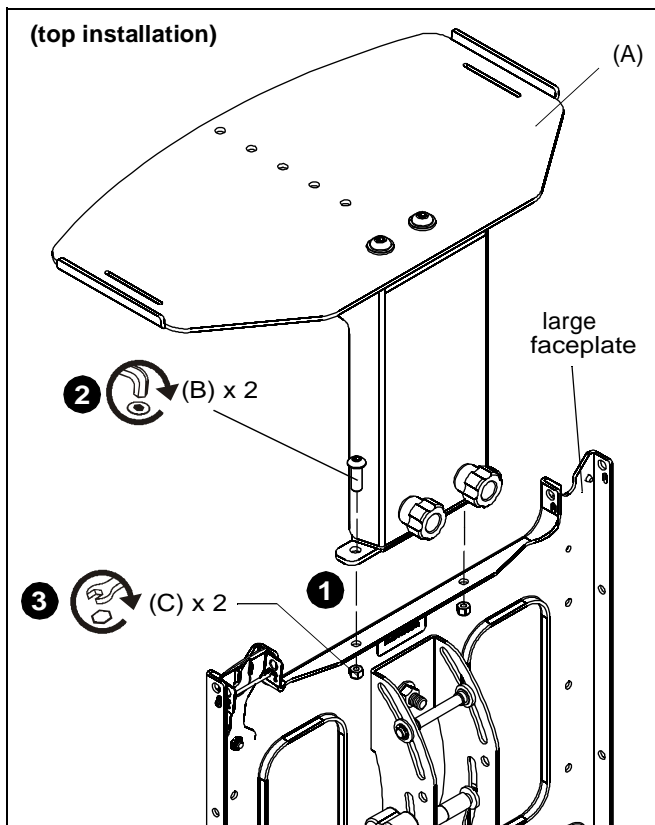


Figure 1

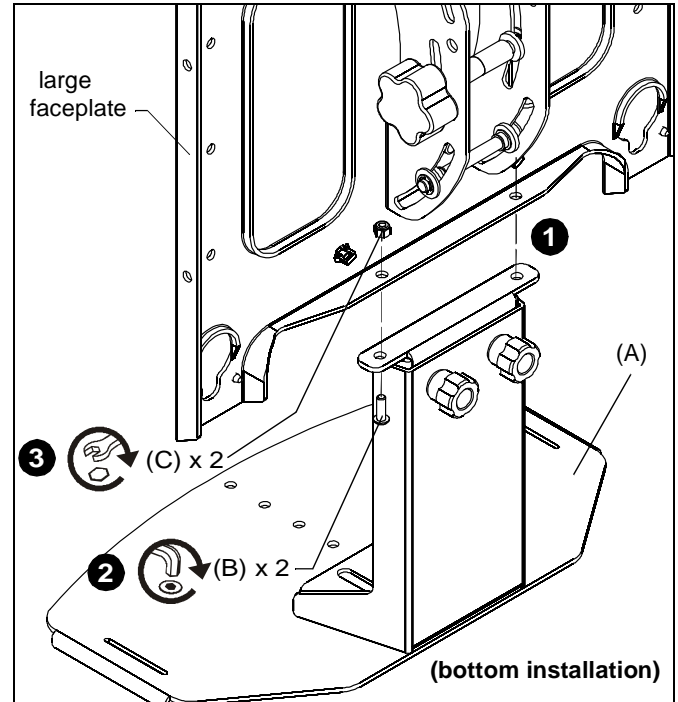


Figure 2

### Attach to Medium Faceplate

**NOTE:** The PAC716 may only be mounted above the display when mounting to a medium faceplate.

1. Use two 1/4-20" lock nuts (C) to secure medium faceplate adapter (E) to top or bottom of medium faceplate. (See Figure 3)
2. Thread two 1/4-20" lock nuts (C) onto screws to secure shelf to medium faceplate adapter (E). (See Figure 3)

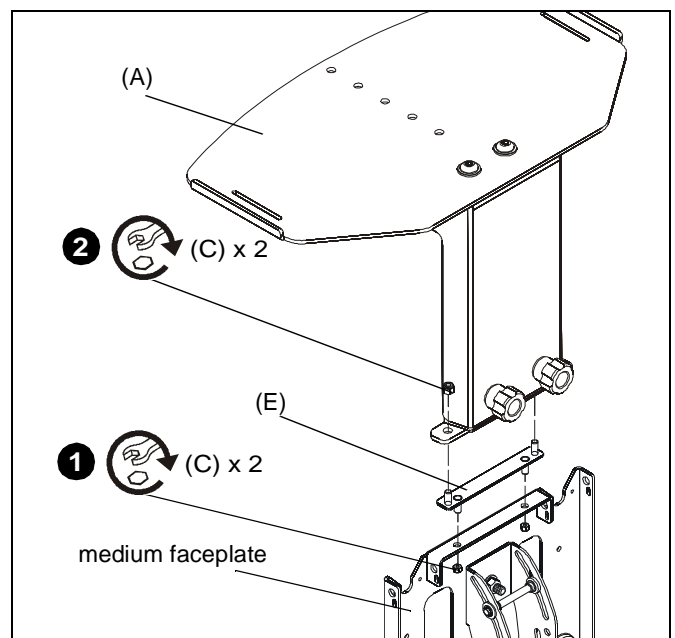


Figure 3

## Camera Mounting



**WARNING:** Exceeding the weight capacity can result in serious personal injury or damage to equipment! It is the installer's responsibility to make sure the combined weight of all equipment and accessories mounted on the PAC716 does not exceed 10 lbs (4.54 kg).

Mounting options will vary depending on the type of camera being mounted. Camera can be secured to mount either by threading a strap (not included) through outside slots on camera mount and around the camera, or by inserting a screw (not included) through the PAC716 center holes into a hole on the camera bottom.

**NOTE:** It is also acceptable to mount the camera directly to the shelf using the hook and loop squares (D) provided.

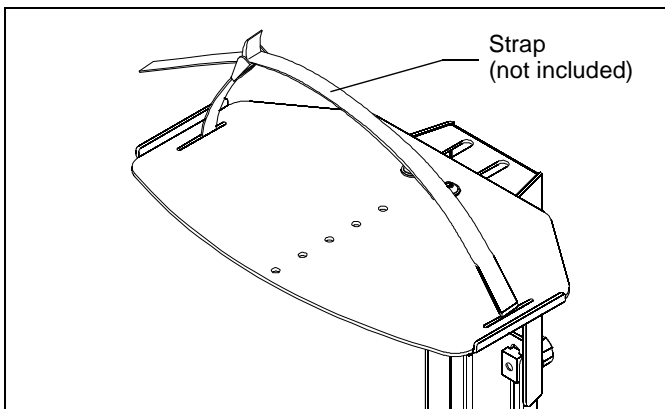


Figure 4

## Adjustments

### Height Adjustment

1. Loosen two adjustment knobs on the back of the PAC716 shelf (A). (See Figure 5)
2. Raise or lower shelf to desired height. (See Figure 5)
3. Tighten two adjustment knobs on the back of the shelf until mount is secure. (See Figure 5)

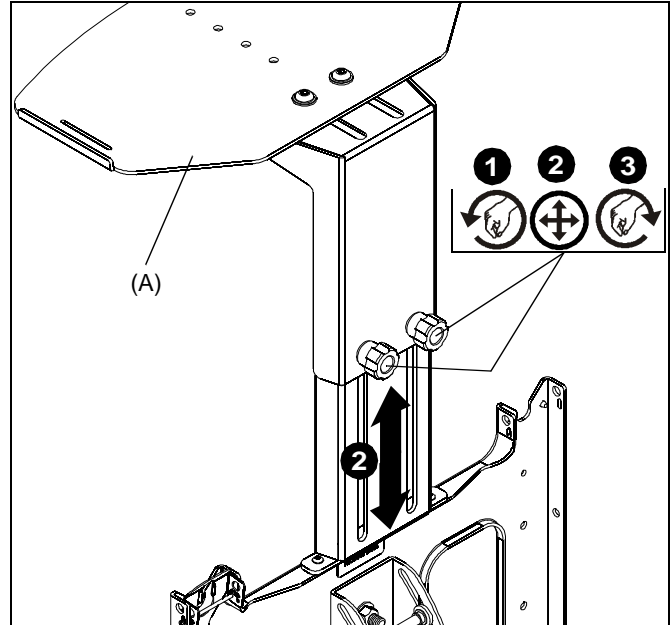


Figure 5

### Shelf Extension Adjustment

1. Loosen two button head cap screws on PAC716 shelf (A). (See Figure 6)
2. Adjust shelf to desired mounting position. (See Figure 6)
3. Tighten two button head cap screws on shelf until mount is secure. (See Figure 6)

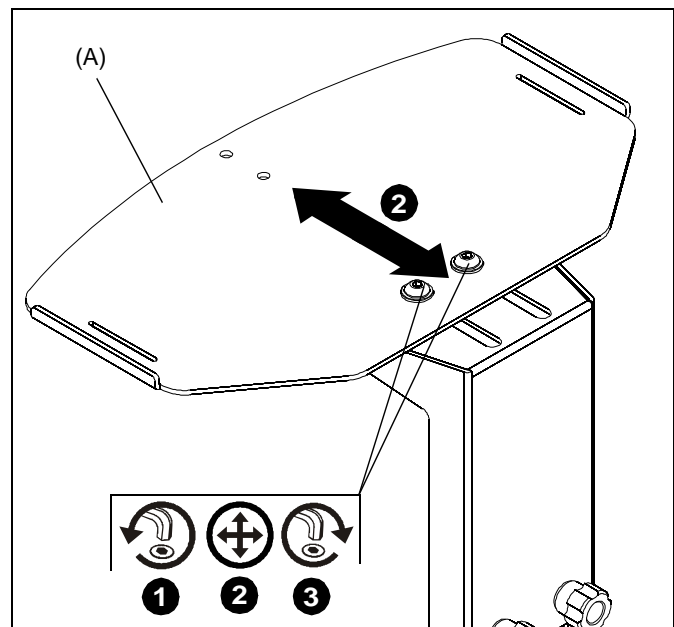


Figure 6





Our Mounts. **Your Vision.**

Chief Manufacturing, a products division  
of Milestone AV Technologies

8832-002018 Rev02  
©2010 Milestone AV Technologies, a  
Duchossois Group Company  
[www.chiefmfg.com](http://www.chiefmfg.com)  
02/10

<b>USA/International</b>	<b>A</b> 8401 Eagle Creek Parkway, Savage, MN 55378 <b>P</b> 800.582.6480 / 952.894.6280 <b>F</b> 877.894.6918 / 952.894.6918
<b>Europe</b>	<b>A</b> Fellenoord 130 5611 ZB EINDHOVEN, The Netherlands <b>P</b> +31 (0)40 2668620 <b>F</b> +31 (0)40 2668615
<b>Asia Pacific</b>	<b>A</b> Office No. 1 on 12/F, Shatin Galleria 18-24 Shan Mei Street Fotan, Shatin, Hong Kong <b>P</b> 852 2145 4099 <b>F</b> 852 2145 4477

