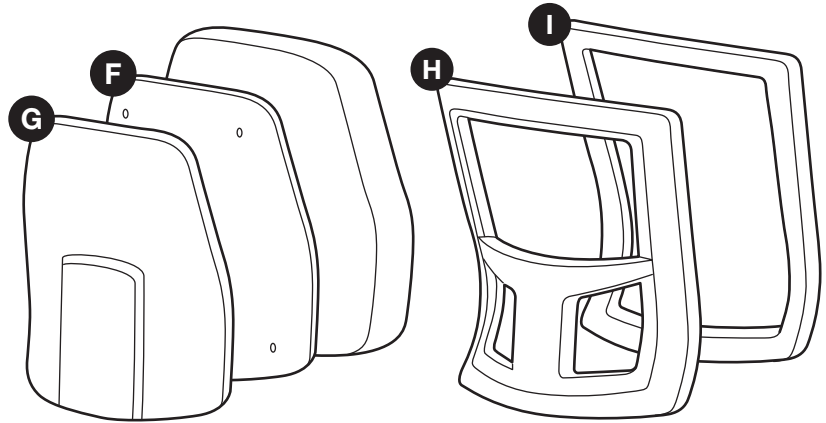


disassembly & recycling instructions

guest/side chair

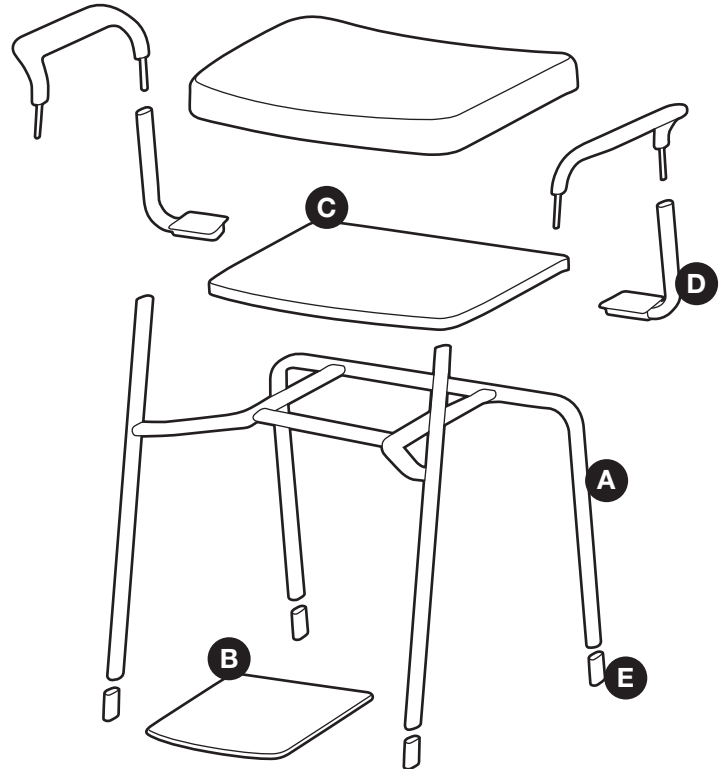
applicable chair series

Affirm
 Affirm Cushioned Back
 Budget Contract (aka BC)
 PT Paramount (formerly PT, 7xxx)
 Yes
 Ginny
 SG



recommended tools

Safety Glasses
 Work Gloves
 Flat Head Screw Driver
 Phillips Screw Driver
 Socket Wrench Set
 Allen Wrench Set
 Utility Knife
 Steel Putty Knife



recyclable material

- A** Leg Frame — Steel
- B** Bottom Cover — Plastic
- C** Seat Board — Plastic
- D** Arms — Plastic or Steel
- E** Glides — Plastic
- F** Back Board — Plastic
- G** Back Shell — Plastic
- H** Back Frame — Plastic
- I** Mesh Frame — Plastic
- J** Hardware — Steel



steps to disassemble

- 1 Start by laying the chair on its back.
- 2 Pull or unscrew the glides **(E)** off the leg frame. Use a flat head or phillips head screw driver if needed.
- 3 Separate the bottom cover **(B)** from the leg frame **(A)** with a phillips head screw driver or allen wrench.
- 4 Locate any screws holding the arms **(D)** to the leg frame or seat shell, remove the screws and pull off arms.
- 5 Remove the leg frame from the seat board **(C)** with a screw driver and allen wrench.
- 6 Remove the fabric from the seat with a utility knife.
- 7 Separate foam from the seat board with putty knife.
- 8 For upholstered backs, remove the back shell **(G)** from the back board **(F)** using a phillips screw driver to pry them apart.
- 9 For mesh backs, separate the **(H)** back frame from the **(I)** mesh frame with a screw driver.

disassembly & recycling instructions

stacking/guest chair: plastic seat & back

applicable chair series

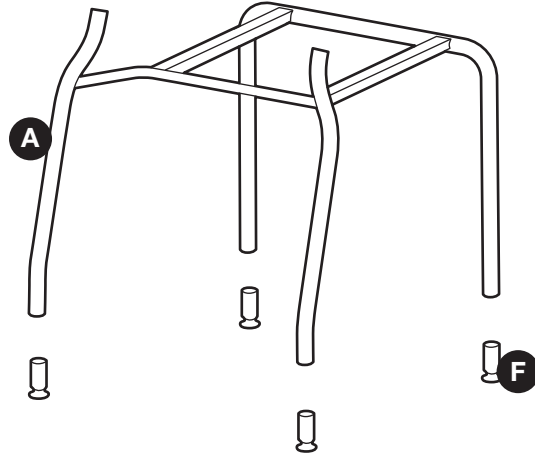
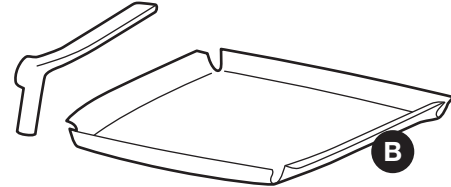
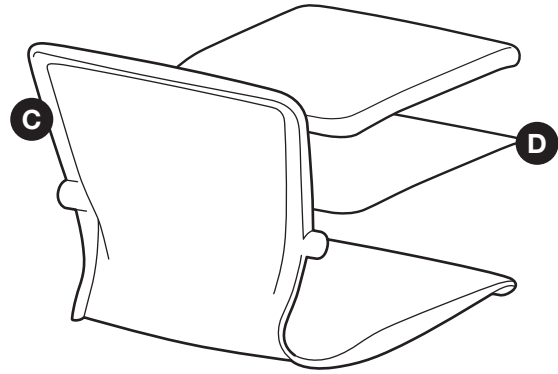
OM5 Active™
Werksy®
Tibidi™
ST
SG

recommended tools

Safety Glasses
Work Gloves
Flat Head Screw Driver
Phillips Screw Driver
Socket Wrench Set
Allen Wrench Set
Utility Knife
Steel Putty Knife

recyclable material

A Leg Frame — Steel
B Bottom Cover — Plastic
C Seat Shell — Plastic
D Upholstery Liner — Plastic
E Arms — Plastic
F Glides — Plastic
G Hardware — Steel



steps to disassemble

- 1 Start by laying the chair on its back.
- 2 Pull or unscrew the glides **(F)** off the leg frame. Use a flat head or phillips head screw driver if needed.
- 3 Separate the bottom cover **(B)** from the leg frame **(A)** with a phillips head screw driver or allen wrench.
- 4 Locate any screws holding the arms **(E)** to the leg frame or seat shell, remove the screws and pull off arms.
- 5 Remove the leg frame from the seat shell **(C)** with a screw driver and allen wrench.
- 6 Remove the upholstery liner **(D)** from the seat shell with a screw driver.
- 7 Remove the fabric from the seat with a utility knife.
- 8 Separate foam from the upholstery liner with putty knife.