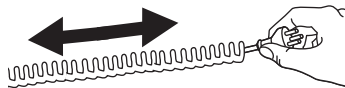
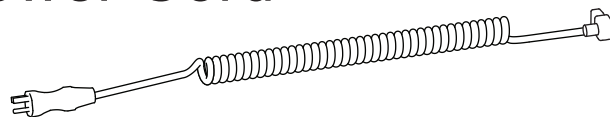


# ergotron®

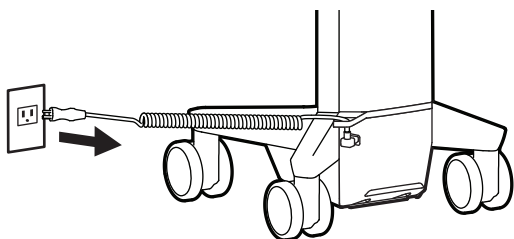


- EN** Do Not stretch coiled cord further than 6 feet (1.8 meters), damage to the cord may occur.
- ES** \*No alargue el cable espiral más de 1,8 metros (6 pies), ya que podría dañarlo.
- FR** Ne pas tirer sur le cordon sur plus de 6 pieds (1,8 mètres) pour éviter d'éventuels dommages.
- DE** Ziehen Sie das Spiralkabel nicht mehr als 1,8 Meter in die Länge, da es sonst zu Schäden am Kabel kommen kann.
- JA** コイル状コードは1.8メートル以上伸ばさないでください。コードが損傷する可能性があります。
- ZH** 不要将电源卷线拉伸至超过 1.8 米（6 英尺）长，否则可导致电源线受损。
- NL** Trek het spiraalsnoer niet verder dan 1,8 meter uit, anders kan het snoer worden beschadigd.
- IT** Non tendere il cordone spiralato per una lunghezza superiore a 1,8 metri, altrimenti lo si può danneggiare.
- SV** Sträck inte ut spiralkabeln längre än 1,8 meter. I annat fall kan kabeln skadas.

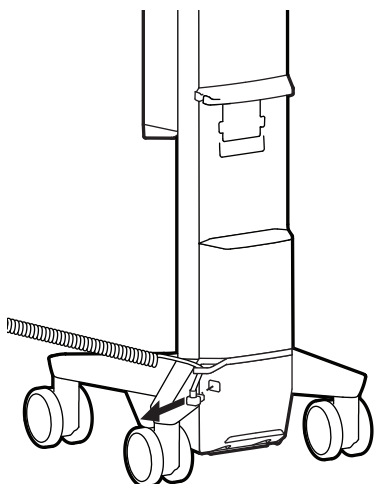
## CareFit™ Pro Replace Power Cord



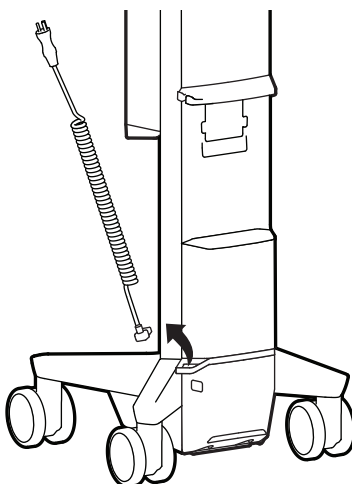
- 1** Unplug cart from wall outlet.



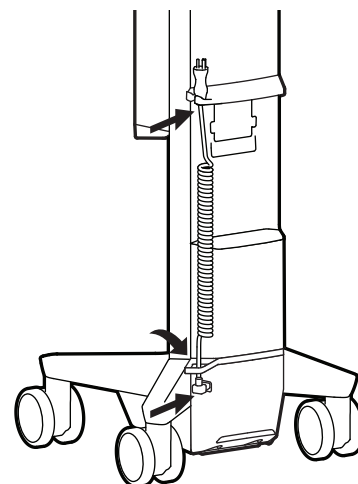
- 2** Unplug power cord from cart.



- 3** Remove power cord from cart.

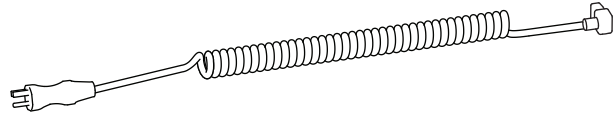


- 4** Hang power cord on cart and plug cord into base jack.

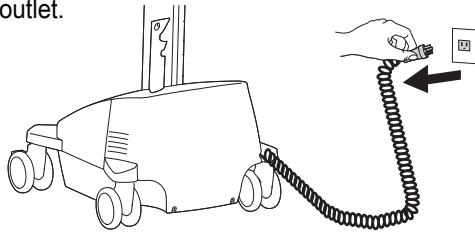


# StyleView™

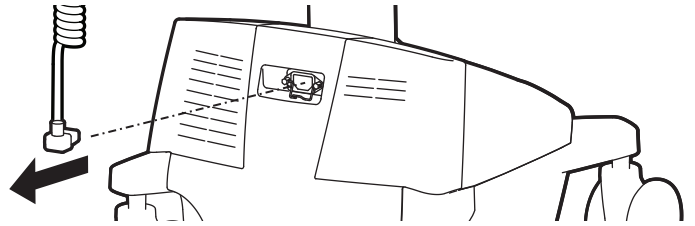
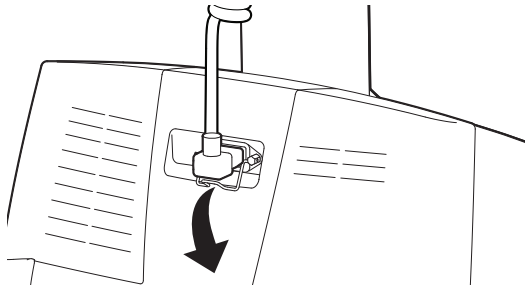
## Replace Power Cord



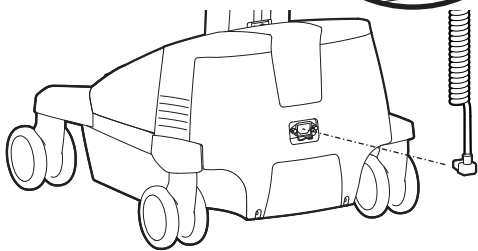
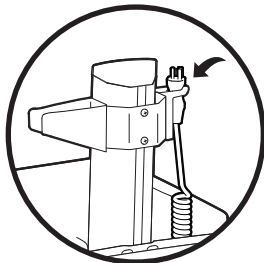
- 1** Unplug cart from wall outlet.



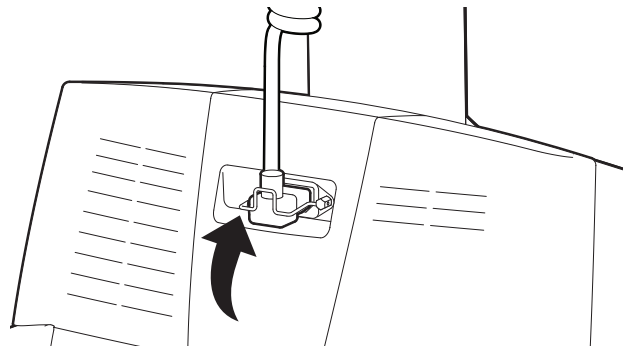
- 2** Pull down on retainer to release, then remove power cord.



- 3** Hang new power cord on hook and plug into base.



- 4** Secure power cord with retainer.



# ergotron®

For Warranty visit: [www.ergotron.com/warranty](http://www.ergotron.com/warranty)

For Service visit: [www.ergotron.com](http://www.ergotron.com)

For local customer care phone numbers visit: <http://contact.ergotron.com>

[www.ergotron.com](http://www.ergotron.com) | USA: 1-800-888-8458 | Europe: +31 (0)33-45 45 600 | China: 400-120-3051 | Japan: [japansupport@ergotron.com](mailto:japansupport@ergotron.com)

© 2021 Ergotron, Inc. All rights reserved. CareFit™ and StyleView™ are registered trademarks of Ergotron, Inc.

While Ergotron, Inc. makes every effort to provide accurate and complete information on the installation and use of its products, it will not be held liable for any editorial errors or omissions (including those made in the process of translation from English to another language), or for incidental, special or consequential damages of any nature resulting from furnishing this instruction and performance of equipment in connection with this instruction. Ergotron, Inc. reserves the right to make changes in the product design and/or product documentation without notification to its users. For the most current product information, or to know if this document is available in languages other than those herein, please contact Ergotron. No part of this publication may be reproduced, stored in a retrieval system, or transmitted in any form or by any means, electronic, mechanical, photocopying, recording or otherwise without the prior written consent of Ergotron, Inc., 1181 Trapp Road, Eagan, Minnesota, 55121, USA Patents Pending and Patented U.S. & Foreign. Ergotron is a registered trademark of Ergotron, Inc.