

27"
MAX


11-28lbs
RATED

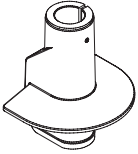
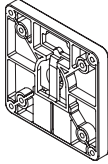
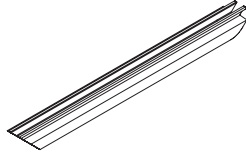
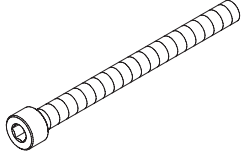

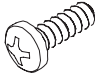

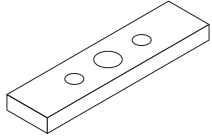

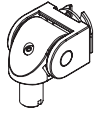

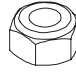

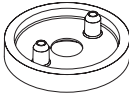

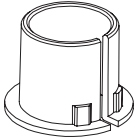

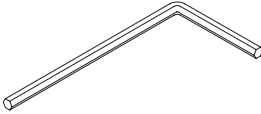
Human Active Technology

800 524 2744

customerservice@team-hat.com

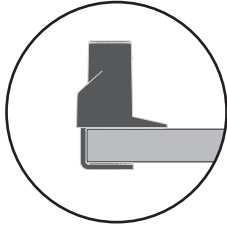
team-hat.com

PARTS LIST

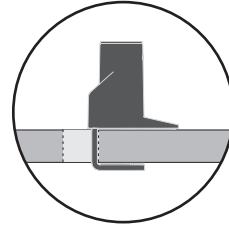
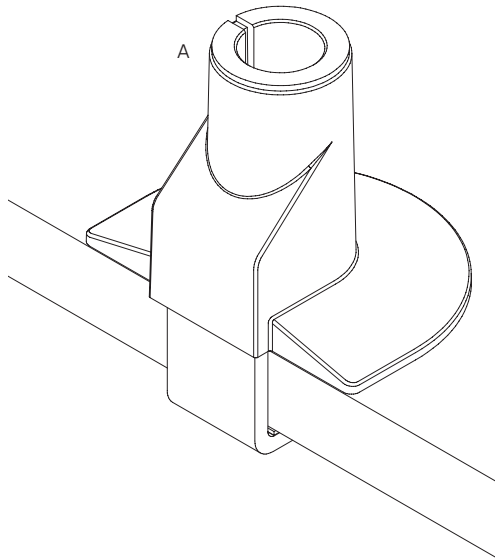
<p>A Top Down Mount 1x 8524</p> 	<p>F Quick Connect VESA Plate 2x 114808</p> 	<p>K Cable Cap 1x 114810</p> 	<p>P* M8 x 95mm SCHS 1x 716061</p> 
<p>B Forearm Cap 1x 115864</p> 	<p>G M4 x 12mm Phillips Pan Head Screw 8x 701153</p> 	<p>L 3mm Allen Wrench 1x 701313</p> 	<p>Q* Spacer 1x 701544</p> 
<p>C M6-1 x 12mm Phillips Pan Head Screw 1x 716386</p> 	<p>H Monitor Tilter 2x 8500 Tilter</p> 	<p>M 1/8" Allen Wrench 1x 701312</p> 	<p>R* Lock Nut 1x 710015</p> 
<p>D Flat Washer 1x 715866</p> 	<p>I Dog Washer 2x 105189</p> 	<p>N 3/32" Allen Wrench 1x 700146</p> 	
<p>E Bushing 1x 114548</p> 	<p>J 10-32 x 3/8" FPhMS w/Lock Patch 2x 705198</p> 	<p>O 7/32" Allen Wrench 1x 701127</p> 	

DESK CLAMP CONFIGURATION

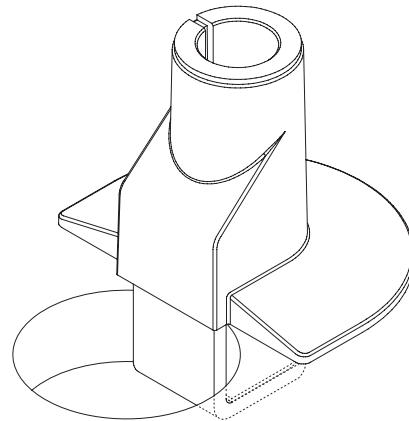
1



Desk thickness up to 1.5" (3.8 cm)

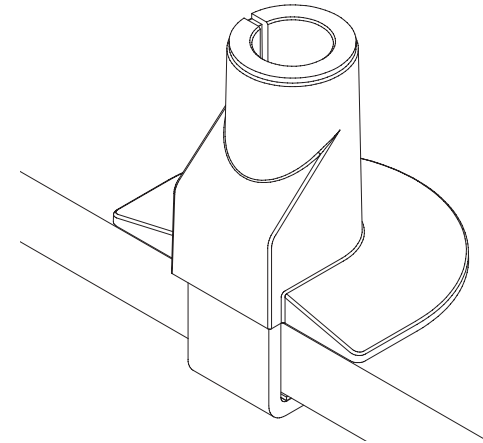
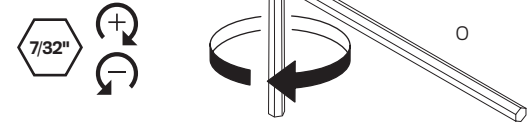


Desk thickness up to 1.5" (3.8 cm)

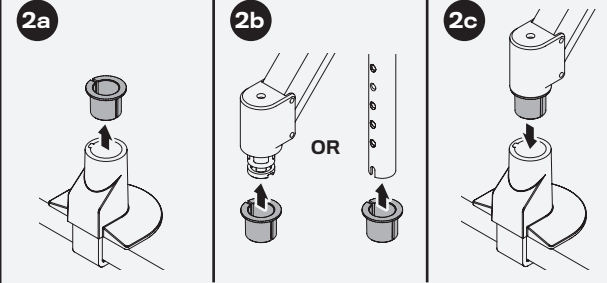


OR

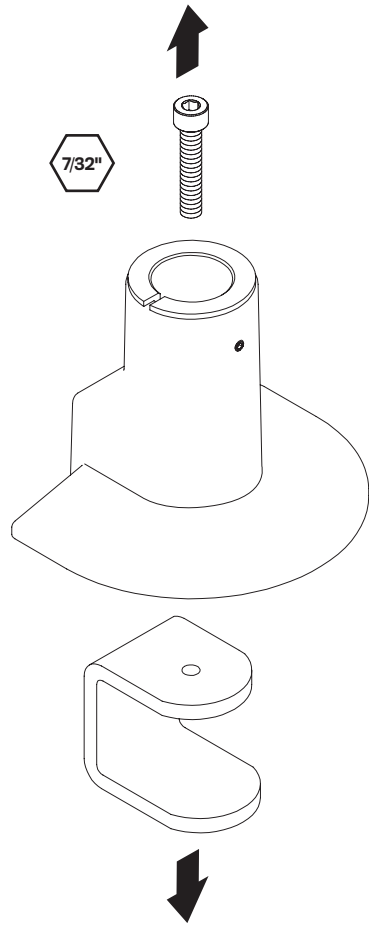
2



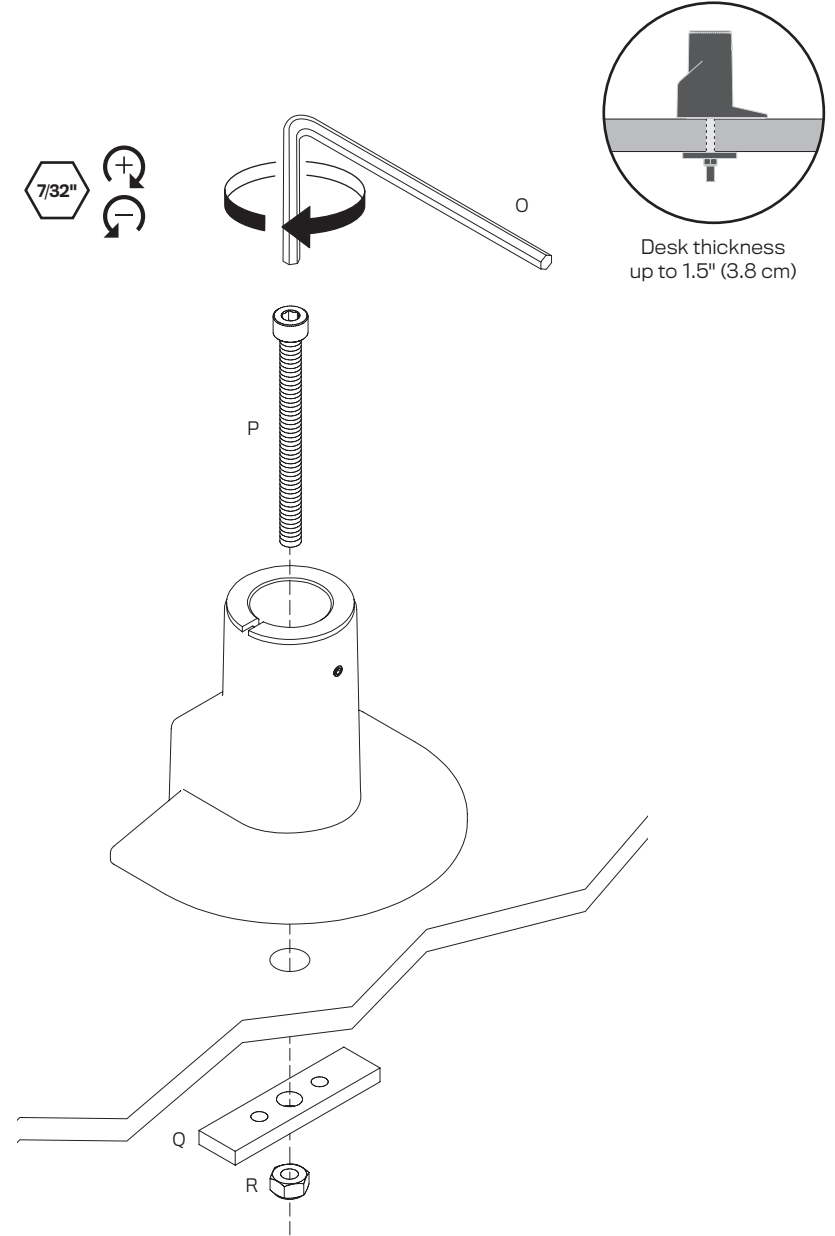
i If the monitor arm or pole does not easily fit into the mount, remove the bushing from the mount and place it on the monitor arm or pole and press firmly back into the mount.

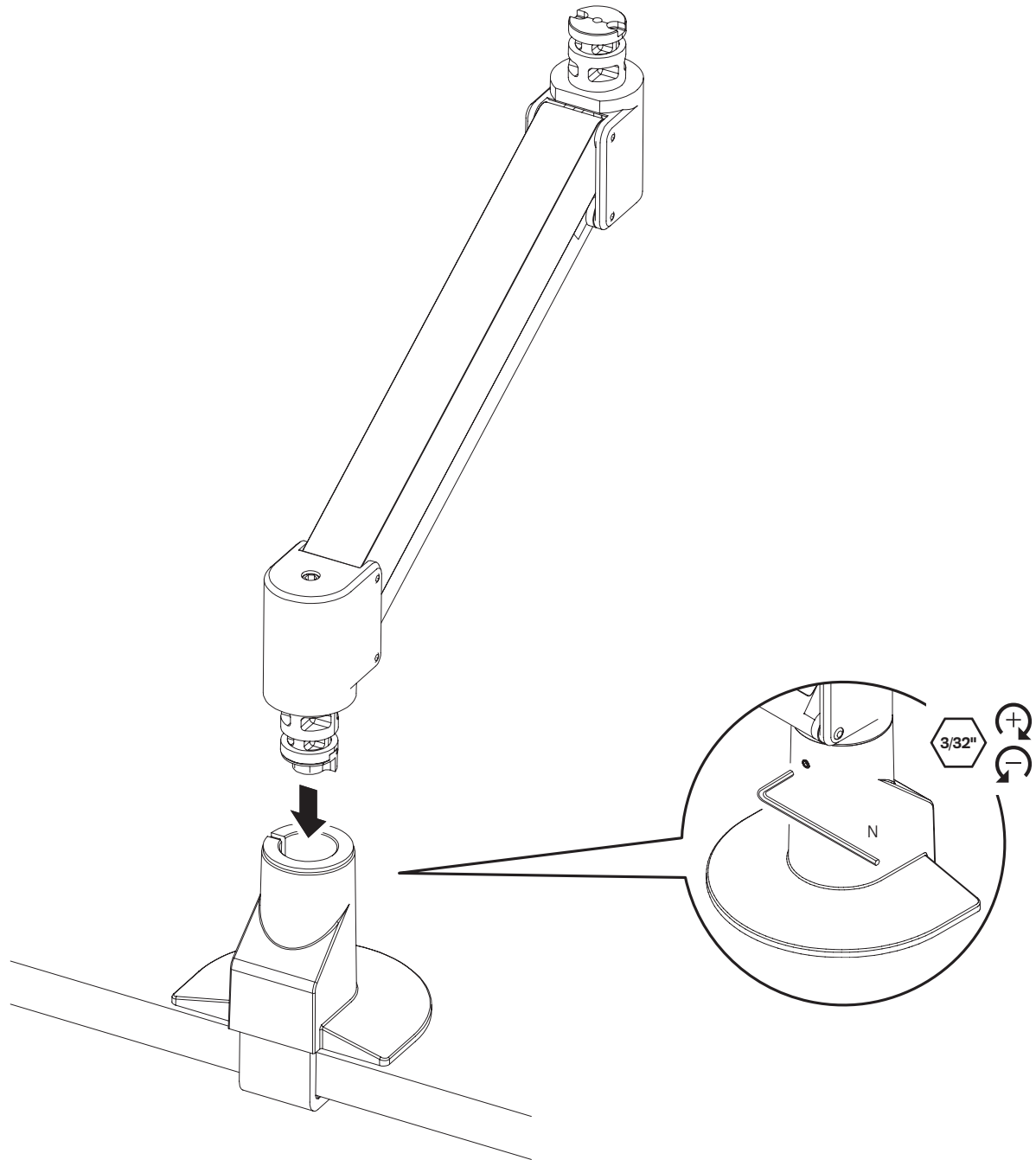


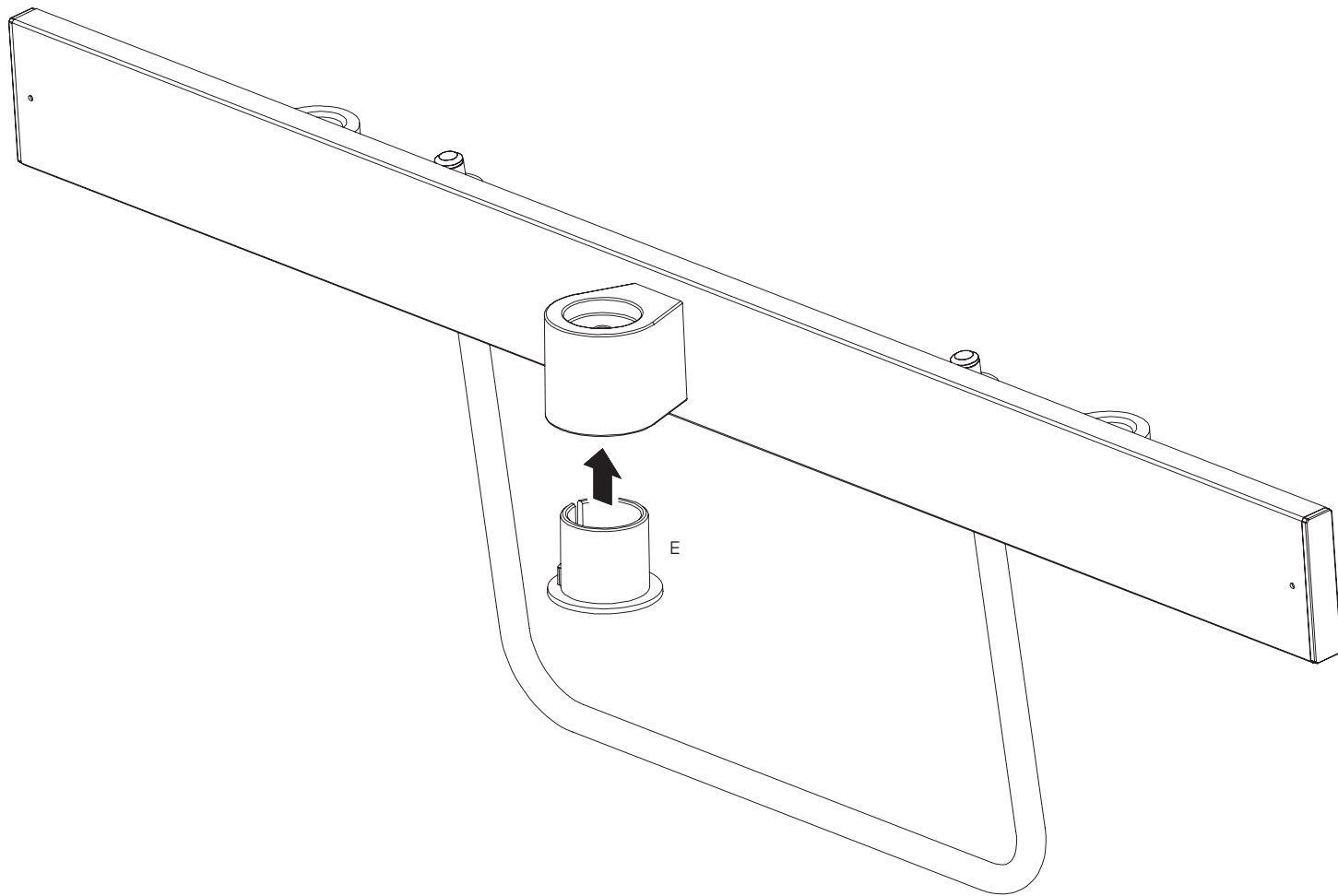
3



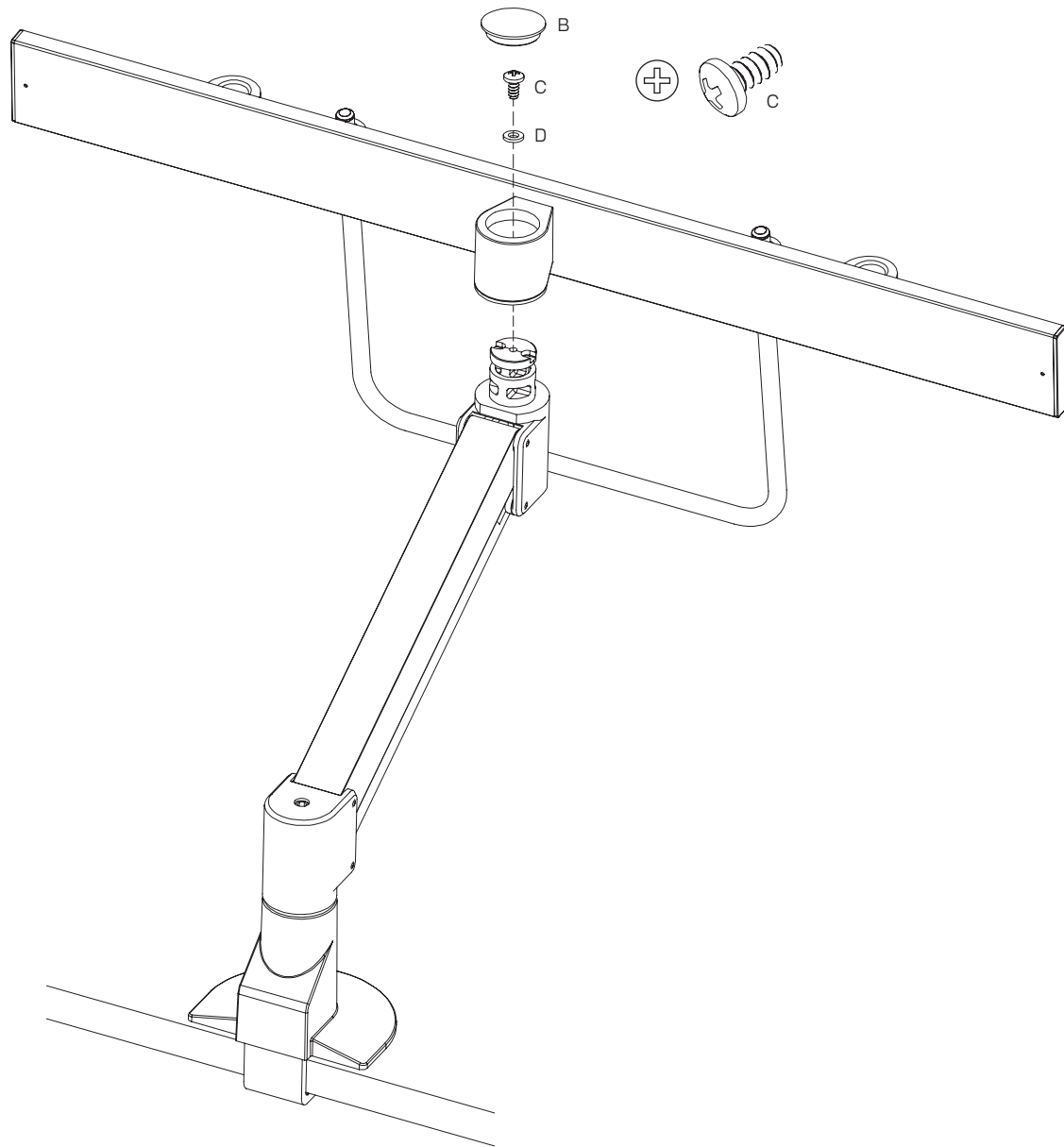
4





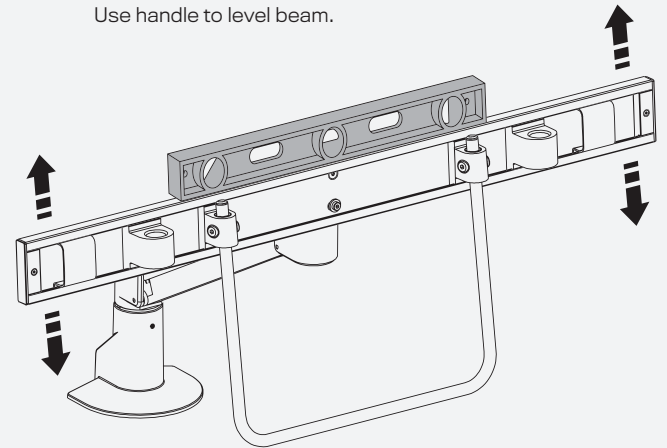


7



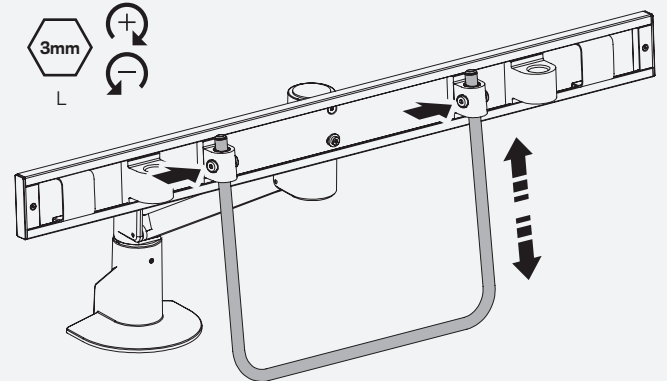
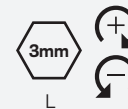
LEVEL ADJUSTMENT

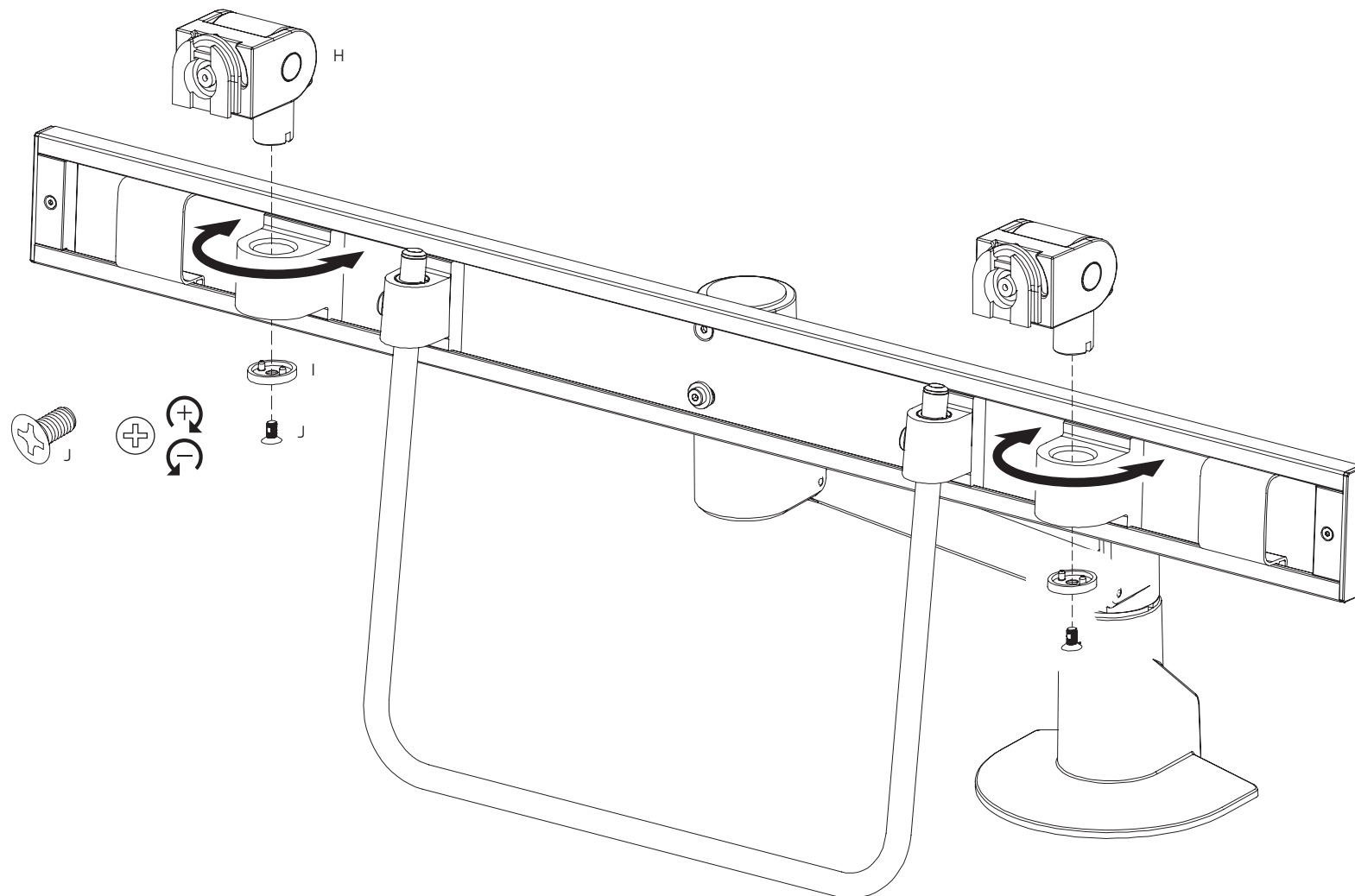
Use handle to level beam.



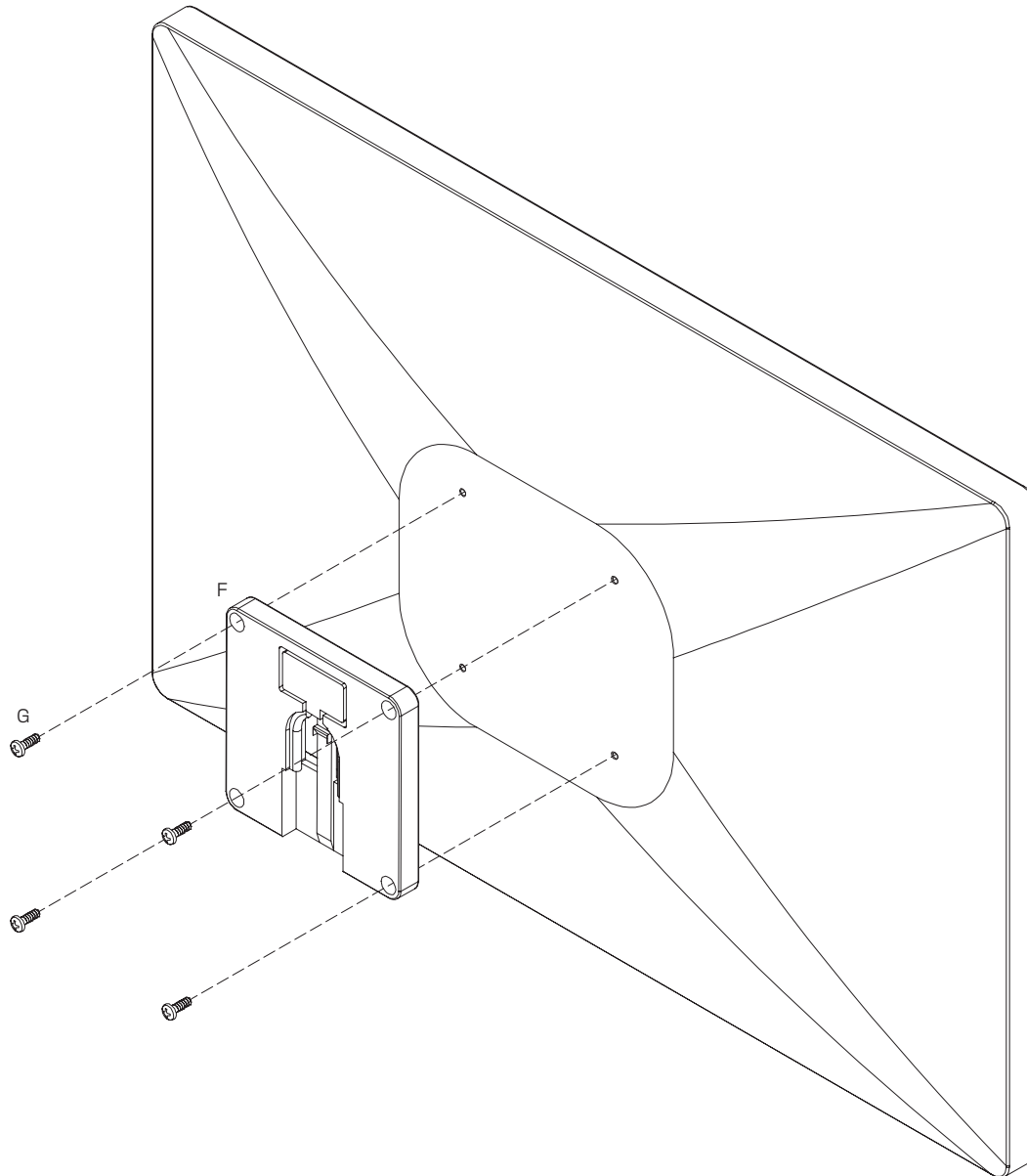
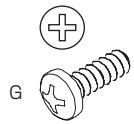
HANDLE ADJUSTMENT

To adjust handle position, loosen the two set screws, adjust handle then retighten screws.

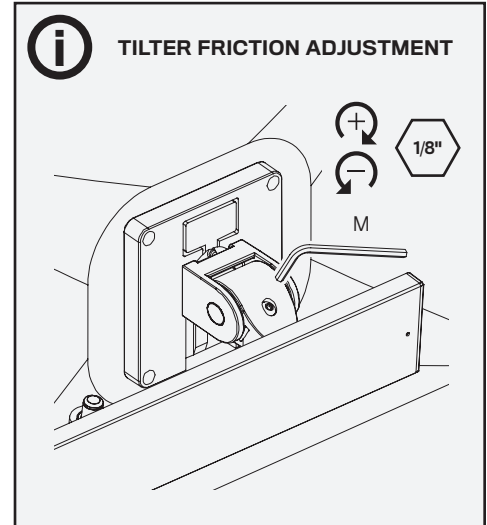
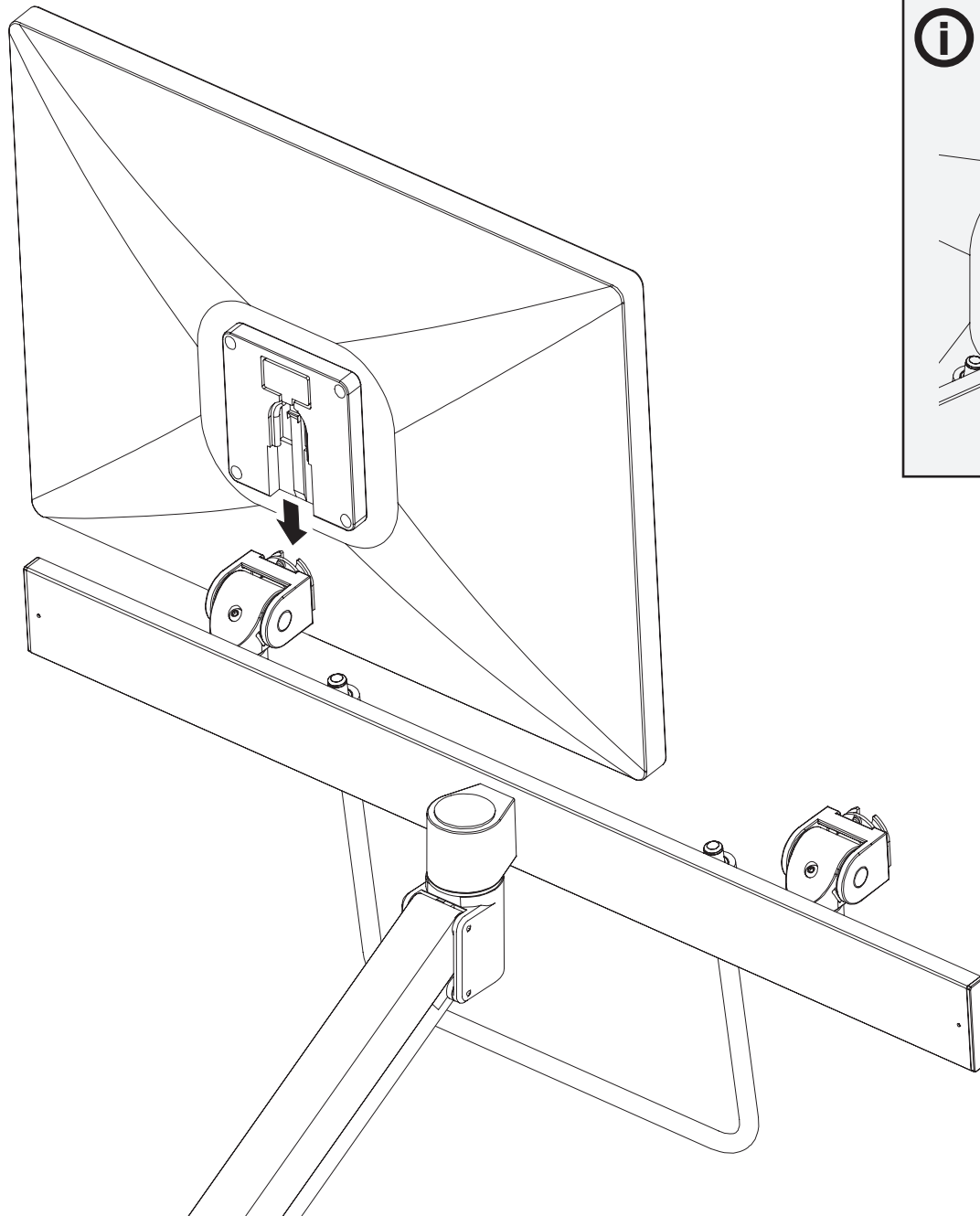




2x



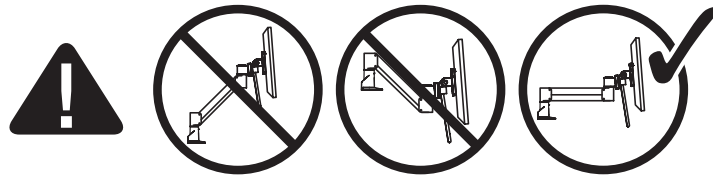
2x



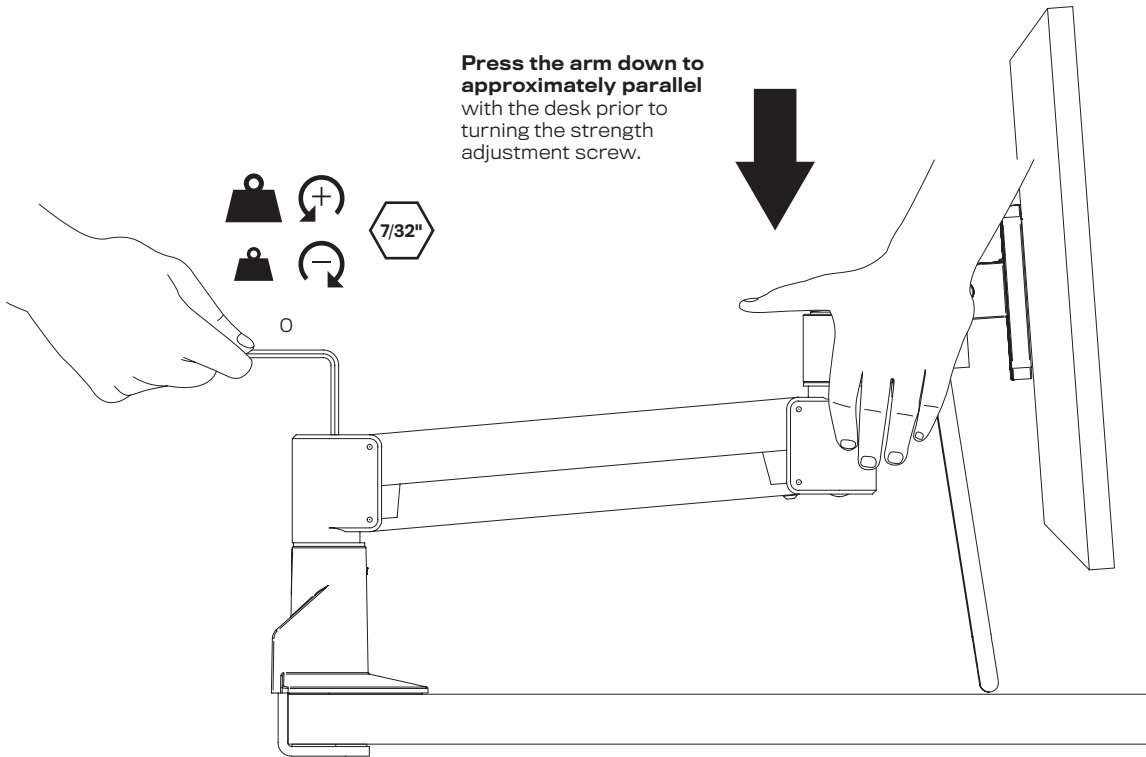
11

IMPORTANT!

- Monitor must be on arm
- Arm must be in mount



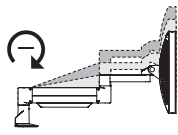
Press the arm down to approximately parallel with the desk prior to turning the strength adjustment screw.



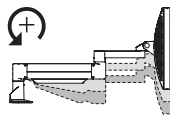
i OPTIONAL ADJUSTMENT

In some instances, an additional counterbalance adjustment may be needed to allow the arm's instant height adjustment function to work properly.

If your arm is not staying in position after performing step 11, tighten the adjustment screw as shown.



If the arm **drifts upward**, turn the adjustment screw clockwise.



If the arm **drifts downward**, turn the adjustment screw counter-clockwise.

Depending on the weight of your monitor, **you may have to make 15-20 turns.**

