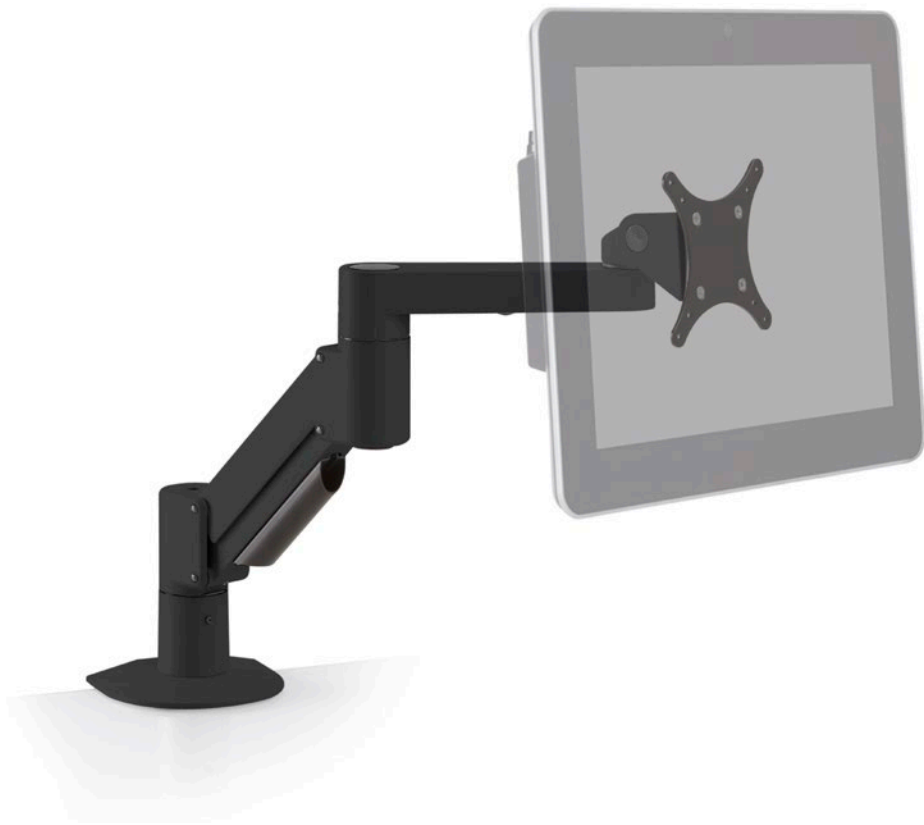


3500-FM

MONITOR ARMS



HAT
DESIGN WORKS™
HUMAN ACTIVE TECHNOLOGY

ERGONOMICS FOR TIGHT SPACES.

Ideal for tight spaces, the 3500 monitor arm provides flexibility in a convenient space-saving configuration. Users are able to freely reposition the monitor mount, which floats your monitor or touchscreen.

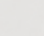
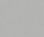



FEATURES

- **Space-Saving:** Folds to occupy only 3" of space.
- **Responsive:** One-touch monitor adjustment.
- **Flexible:** Easily rotate monitor for portrait or landscape viewing.
- **Adaptable:** Includes our FLEXmount, offering six different reconfigurable mounting solutions in one kit.
- **Compatible:** VESA-monitor compatible – 75mm & 100mm VESA adapter included.

SPECIFICATIONS

Finishes

-  Flat White
248
-  Silver
124
-  Vista Black
104

Dimensions

Screen Size: Up to 27"
 Height Adjustment: 9.5"
 Extension Range: 19.7"
 Max Monitor Height: 13.9"
 Mount: Mount: Desk Edge, Thru-Desk, Grommet, Wall, Reverse Wall, Side Bolt

Part Numbers

- 3500-250-FM-___ (1.5 - 12 lbs. monitor)
- 3500-350-FM-___ (5.5 - 15.5 lbs. monitor)
- 3500-450-FM-___ (10 - 23 lbs. monitor)
- 3500-600-FM-___ (13 - 28 lbs. monitor)
- 3500-800-FM-___ (14 - 38 lbs. monitor)



Effortlessly reposition monitor arm to where you need it



Wall mount configuration



Integrated cable management

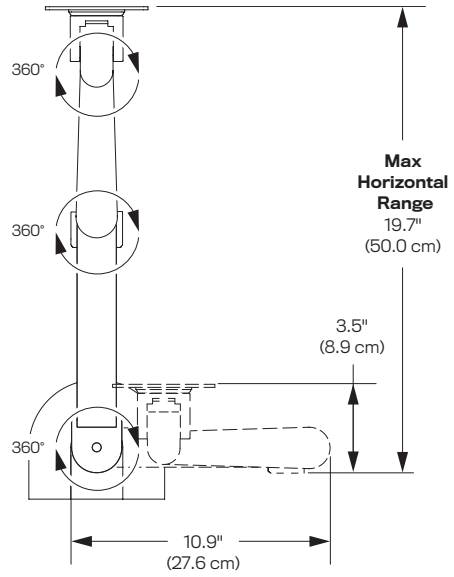
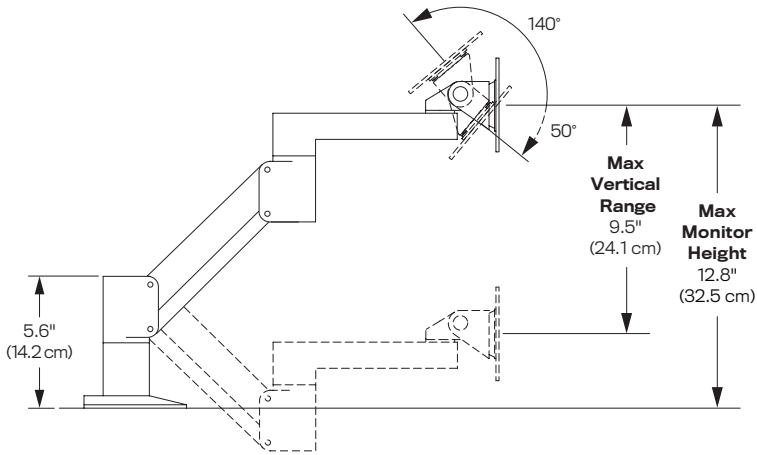


Space-saving design

WARRANTY

10 Years

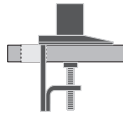
CAPABILITIES



Desk Edge



Thru-Desk



Grommet



Wall



Reverse Wall



Side Bolt