

7045

MONITOR ARMS



HAT
DESIGN WORKS™
HUMAN ACTIVE TECHNOLOGY

EXTENDED VERTICAL REACH.

Comparable to our 7000 monitor arm, the 7045 mount features a fixed-position forearm which provides additional vertical reach. The arm renders the monitor weightless for instant height adjustment. This flexible monitor arm can be folded out of the way when not in use.



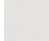

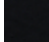
Additional vertical reach

FEATURES

- **Flexible:** Arm articulates 360 degrees and offers a max monitor tilt range of 190 degrees, allowing maximum flexibility.
- **Minimal:** Arm can be folded to occupy just 3" of space.
- **Rotate:** Monitor can be rotated for landscape or portrait viewing.
- **Compatible:** VESA-monitor compatible - 100mm quick-release VESA adapter included.

SPECIFICATIONS

Finishes

	Flat White 248
	Silver 124
	Vista Black 104

Dimensions

Height Adjustment: 16"
 Extension Range: 21.4"
 Mount: Desk Edge, Grommet
 Compatibility: Up to 1.5" desk thickness

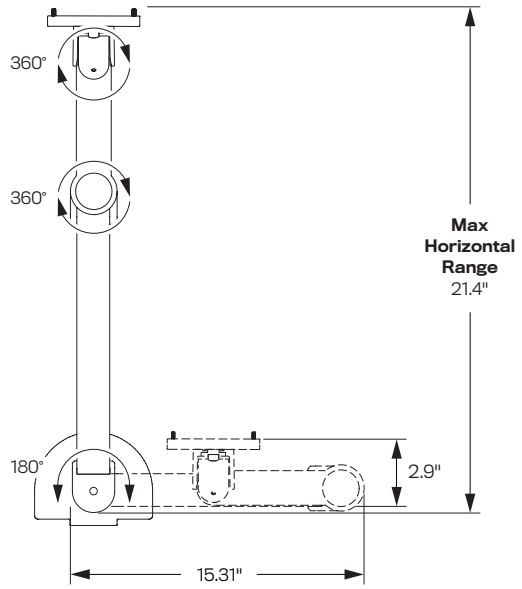
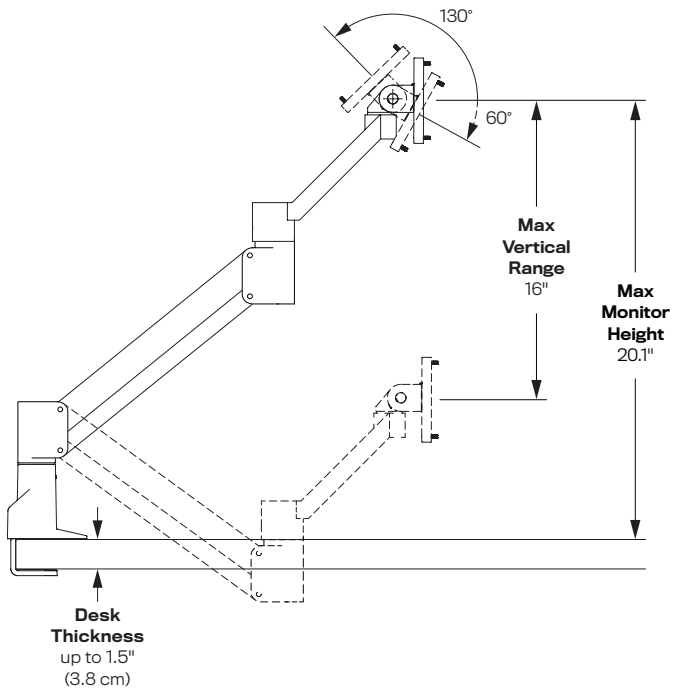
Part Numbers

7045-500-___ (3 - 10 lbs. monitor)
 7045-800-___ (10 - 22 lbs. monitor)
 7045-1000-___ (13 - 28 lbs. monitor)

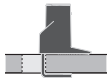
WARRANTY

10 Years

CAPABILITIES



Desk Edge



Grommet