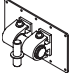
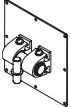
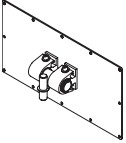
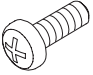
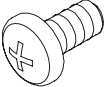

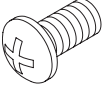
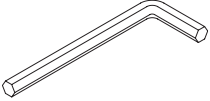

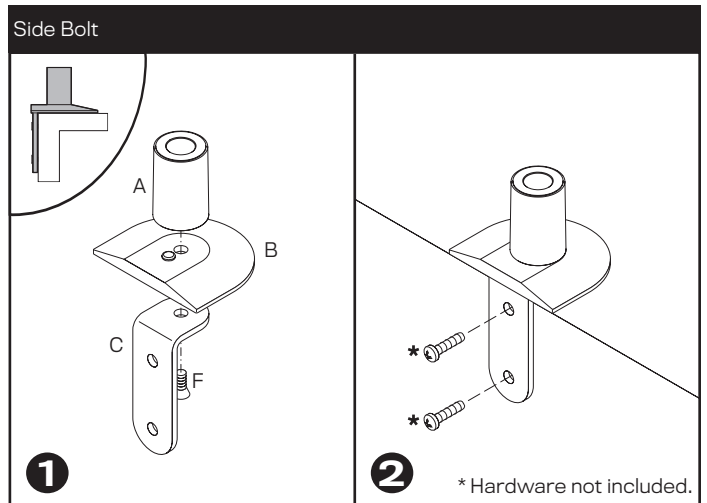
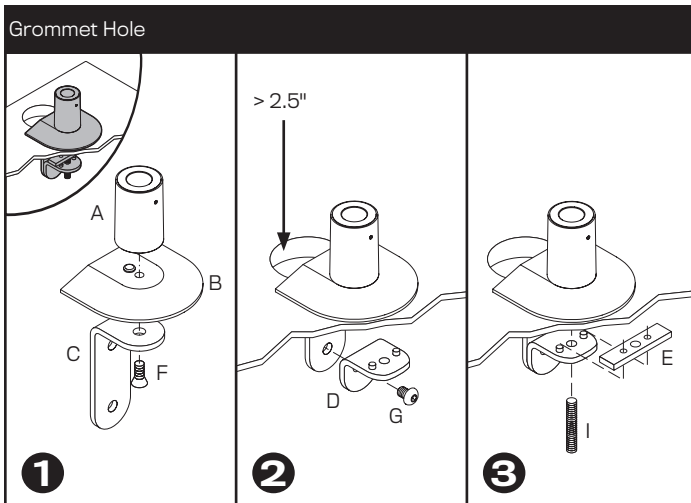
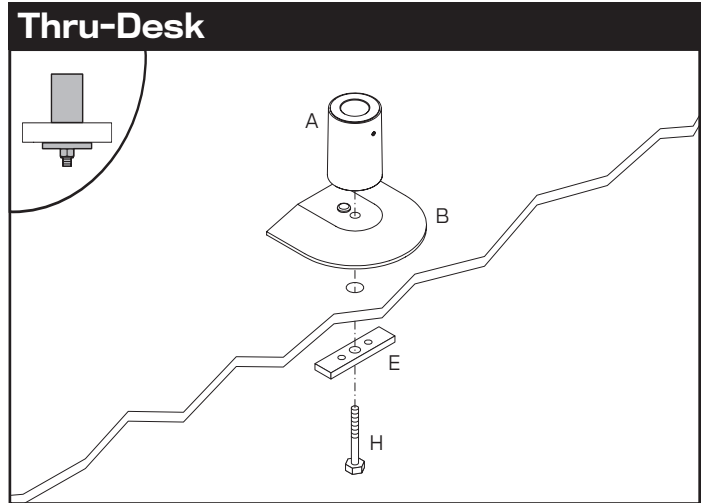
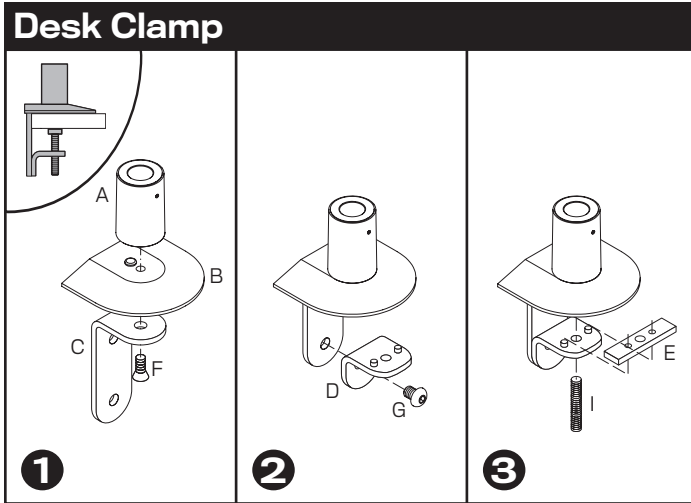


# PARTS LIST

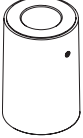
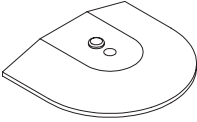
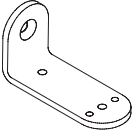
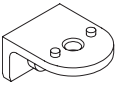
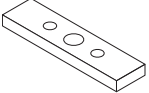
\* Depending on the model you ordered, you may not receive all the parts shown below.

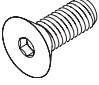
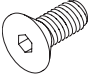
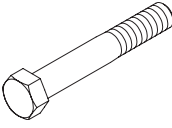
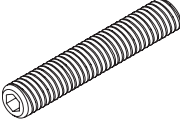
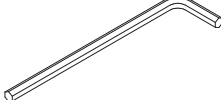
ITEM	DESCRIPTION / PART NO.	QUANTITY
<b>A</b>	<b>Extra Heavy Duty Tilter*</b> 8411-1x2	<b>1</b>
		
<b>B</b>	<b>Extra Heavy Duty Tilter*</b> 8411-2x2	<b>1</b>
		
<b>C</b>	<b>Extra Heavy Duty Tilter*</b> 8411-2x4	<b>1</b>
		
<b>D</b>	<b>M4 x 12mm Phillips Pan Head Screw*</b> <b>3</b> 702096 (4-pack)	
		
<b>E</b>	<b>M6-1 x 12mm Phillips Pan Head Screw*</b> <b>1</b> 405315 8411-2x2 only (8-pack) 408751 8411-2x4 only (12-pack)	
		

ITEM	DESCRIPTION / PART NO.	QUANTITY
<b>F</b>	<b>Steel Washer</b> 704197	<b>1</b>
		
<b>G</b>	<b>10-32 x 3/8" PhPHMS</b> 700115	<b>1</b>
		
<b>H</b>	<b>1/4" Allen Wrench</b> 700116	<b>1</b>
		
<b>I</b>	<b>3/32" Allen Wrench</b> 700146	<b>1</b>
		



# PARTS LIST

ITEM	DESCRIPTION / PART NO.	QUANTITY
A 	<b>Steel Mount Cup</b> 410408	1
B 	<b>Base Plate</b> 754220	1
C 	<b>Large "L" Bracket</b> 702828	1
D 	<b>Small "L" Bracket</b> 701116	1
E 	<b>Rectangular Spacer</b> 701544	1

ITEM	DESCRIPTION / PART NO.	QUANTITY
F 	<b>3/8-16 x 1-1/4" Flat Socket Cap Screw</b> 701855	1
G 	<b>3/8-16 x 7/8" Flat Socket Cap Screw</b> 701799	1
H 	<b>3/8-16 x 2-1/2" Hex Head Bolt</b> 700268	1
I 	<b>1/2-13 x 3" Socket Set Screw</b> 701126	1
J 	<b>7/32" Allen Wrench</b> 701127	1