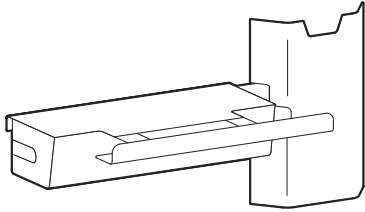
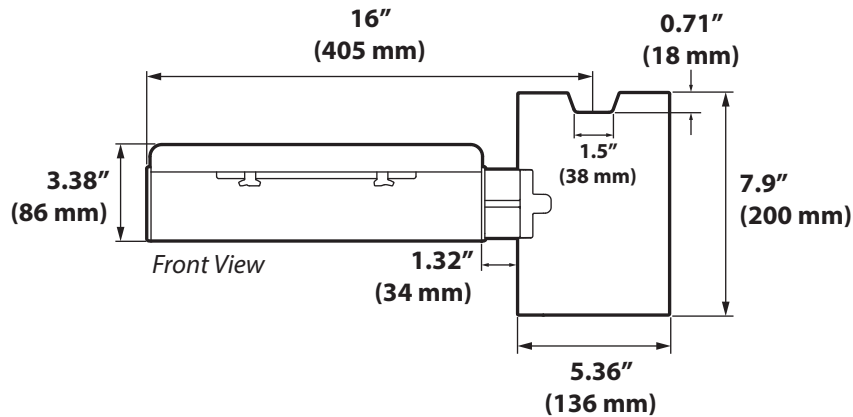


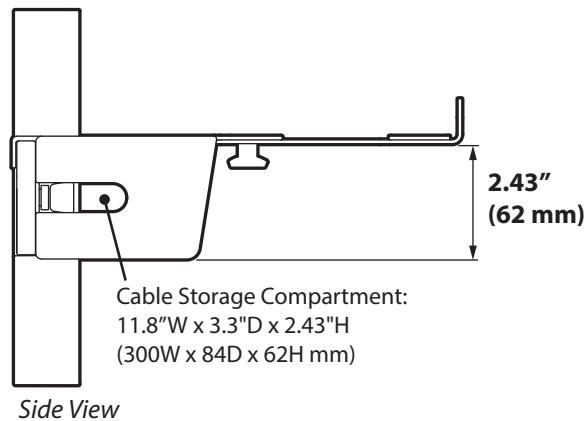
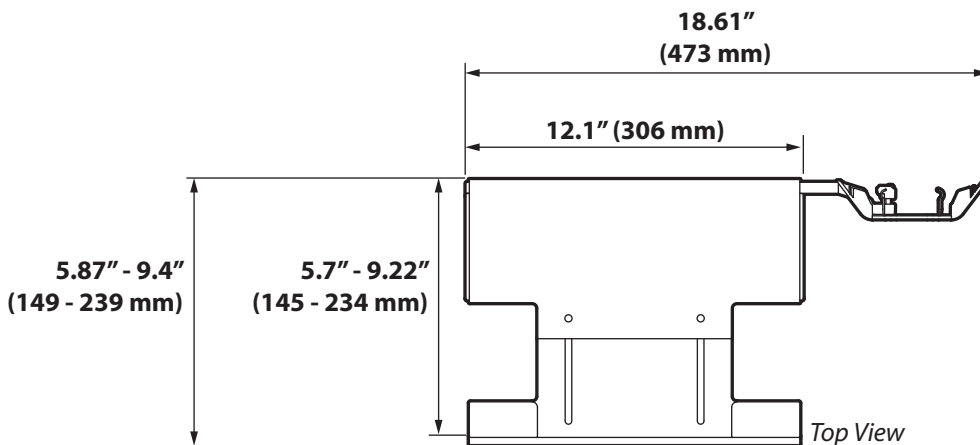
Printer Bracket for Wall Track, Large



DIMENSIONS



Compatible Printers:
 EPSON TM-L90II
 EPSON TM-M30II
 Honeywell PC23d
 Honeywell PC43d
 Honeywell PC43t
 Zebra GX420T
 Zebra ZD410
 Zebra ZD421 Direct Thermal
 Zebra ZD621 Direct Thermal
 Zebra ZQ610
 Zebra ZD611d
 Zebra ZD611t



Download additional resources at ergotron.com

USA & Canada Sales & Corporate Headquarters: St. Paul, MN USA / 800.888.8458 / +1.651.681.7600 / insidesales@ergotron.com

EMEA Sales: Amersfoort, The Netherlands / +31.33.45.45.600 / info.eu@ergotron.com

APAC Sales: Sydney, Australia / apaccustomerservice@ergotron.com

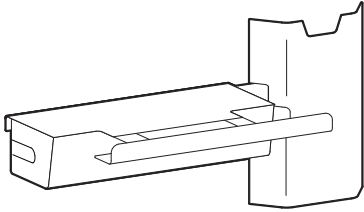
LATAM Sales: info.latam@ergotron.com

Worldwide Custom Sales: custom@ergotron.com


Ergotron devices are not intended to cure, treat, mitigate or prevent any disease. Patent information available at www.ergotron.com/patents

© 2023 Ergotron, Inc. rev. 06/15/2023 DIM-CfcombolGprinterBkt **Content is subject to change without notification**

Printer Bracket for Wall Track, Large



WEIGHT CAPACITY

 8 lbs (3.6 kg)

