



**BILD®**

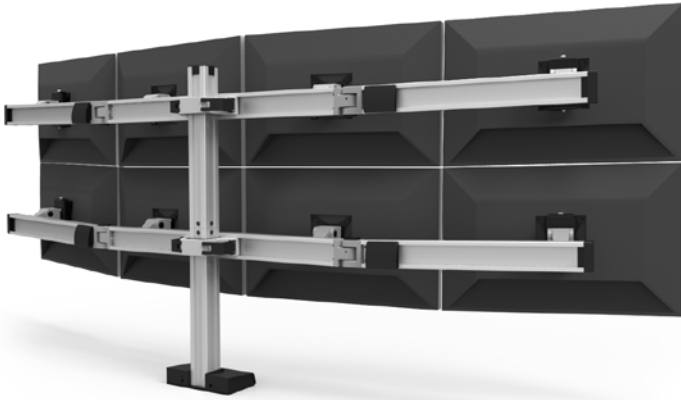
MONITOR ARMS



HAT  
DESIGN WORKS™  
HUMAN ACTIVE TECHNOLOGY

# ENDLESS POSSIBILITIES.

Bild is a highly configurable solution for multi-monitor applications. Configure your Bild – quickly and easily go from 2 to 16 plus monitors – all without wasting parts. Our Bild multi-monitor mount is an easily adjustable monitor mount solution offering an endless number of configurations for installing multiple monitors.



## FEATURES

- **Robust:** Bild offers a robust, solid construction with a clean design aesthetic.
- **Controlled:** Monitor mount pivot points loosen and tighten to the desired rigidity using the tools included. Stored in the beam end cap, they are never out of reach.
- **Adjustable:** This multi-monitor mount takes the work out of adjusting and replacing monitors. Simply attach, adjust, and remove all at the face of the beam. No need to slide monitors to remove.
- **Organized:** Cleans up the workspace with cable clips in the column and beam that keeps cables organized and out of the way.
- **Compatible:** VESA-monitor compatible – 75mm & 100mm VESA adapter(s) included.

## SPECIFICATIONS

### Finishes

- Silver 124
- Vista Black 104

**Mount:** Desk Edge

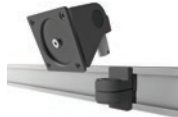
See page 3-4 for additional specs

## WARRANTY

10 Years



Create your angle



Quick, easy monitor install



Cable management

TOP BILD MODELS



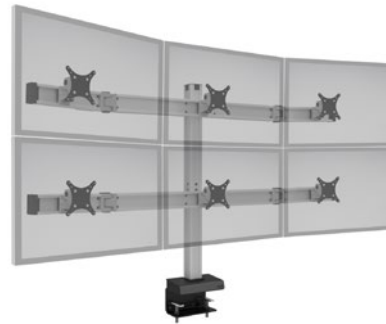
**BILD DUAL**  
**Screen Size:** Up to 30"  
**Weight Capacity:** Up to 30 lbs.  
**Part Number:** BILD-2-CM-\_\_



**BILD TWO OVER TWO**  
**Screen Size:** Up to 30"  
**Weight Capacity:** Up to 30 lbs. per monitor  
**Part Number:** BILD-2/2-CM-\_\_



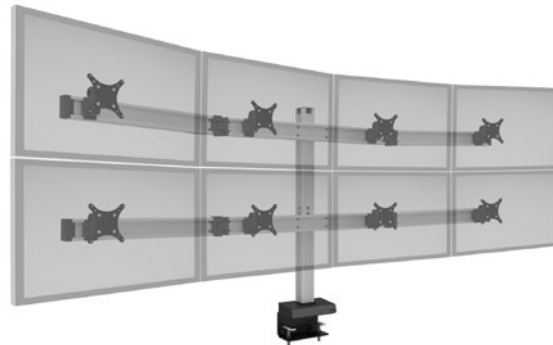
**BILD TRIPLE**  
**Screen Size:** Up to 24"  
**Weight Capacity:** Up to 30 lbs. per monitor  
**Part Number:** BILD-3-CM-\_\_



**BILD THREE OVER THREE**  
**Screen Size:** Up to 24"  
**Weight Capacity:** Up to 30 lbs. per monitor  
**Part Number:** BILD-3/3-CM-\_\_



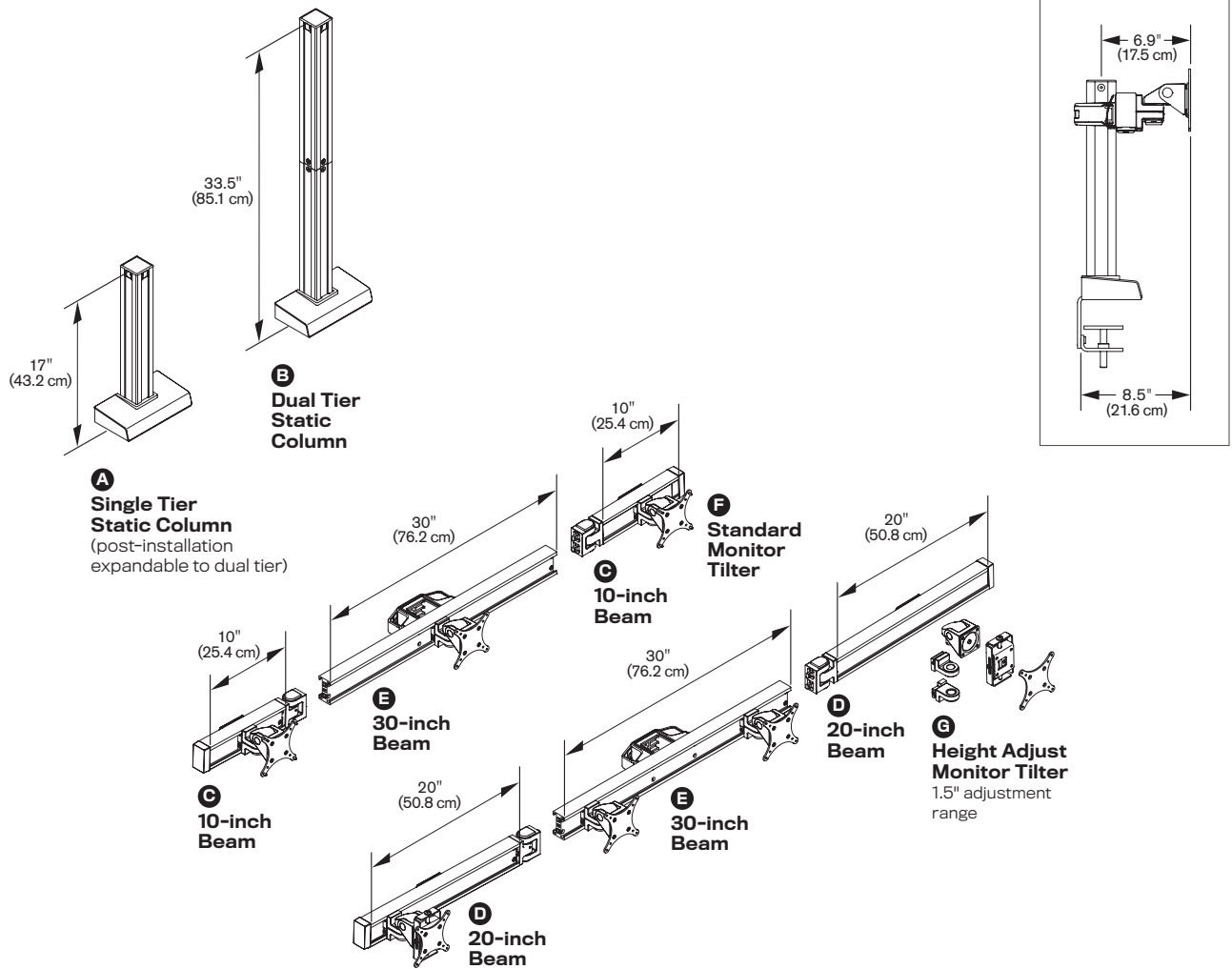
**BILD QUAD**  
**Screen Size:** Up to 24"  
**Monitor Weight:** Up to 30 lbs. per monitor  
**Part Number:** BILD-4-CM-\_\_



**BILD FOUR OVER FOUR**  
**Screen Size:** Up to 24"  
**Monitor Weight:** Up to 30 lbs. per monitor  
**Part Number:** BILD-4/4-CM-\_\_



CAPABILITIES



MODEL	COLUMN (A, B)	10-INCH BEAM (C)	20-INCH BEAM (D)	30-INCH BEAM (E)	STANDARD MONITOR TILTER (F)	HEIGHT ADJUST MONITOR TILTER (G)
Bild Dual	A	-	-	1	2	optional
Bild Triple	A	2	-	1	3	optional
Bild Quad	A	-	2	1	2	2
Bild 2 over 2	B	-	-	2	4	optional
Bild 3 over 3	B	4	-	2	6	optional
Bild 4 over 4	B	-	4	2	4	4