

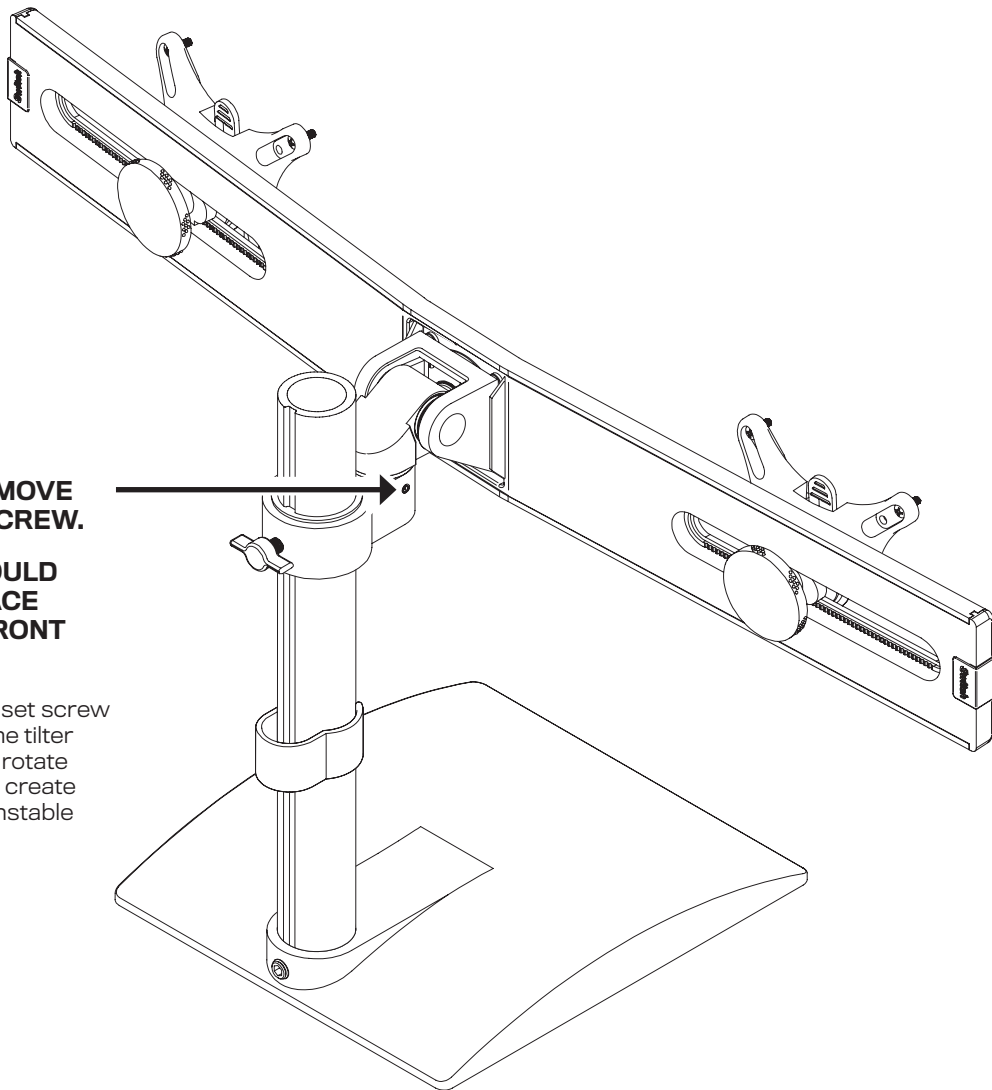


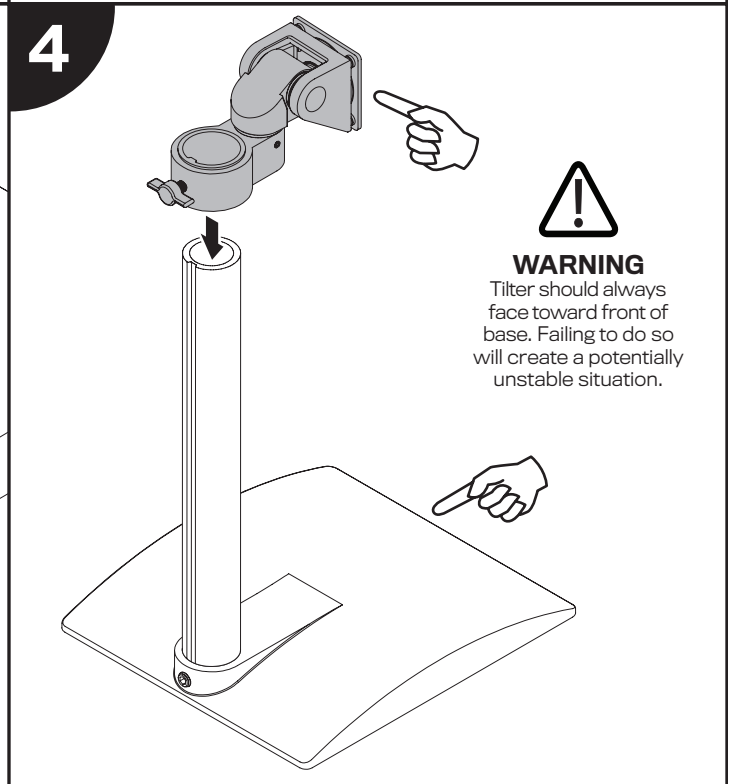
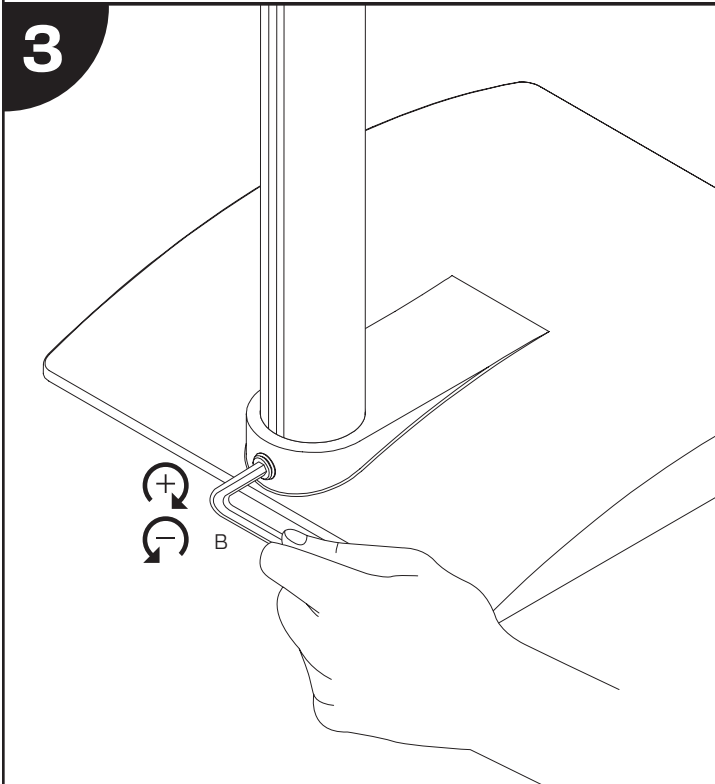
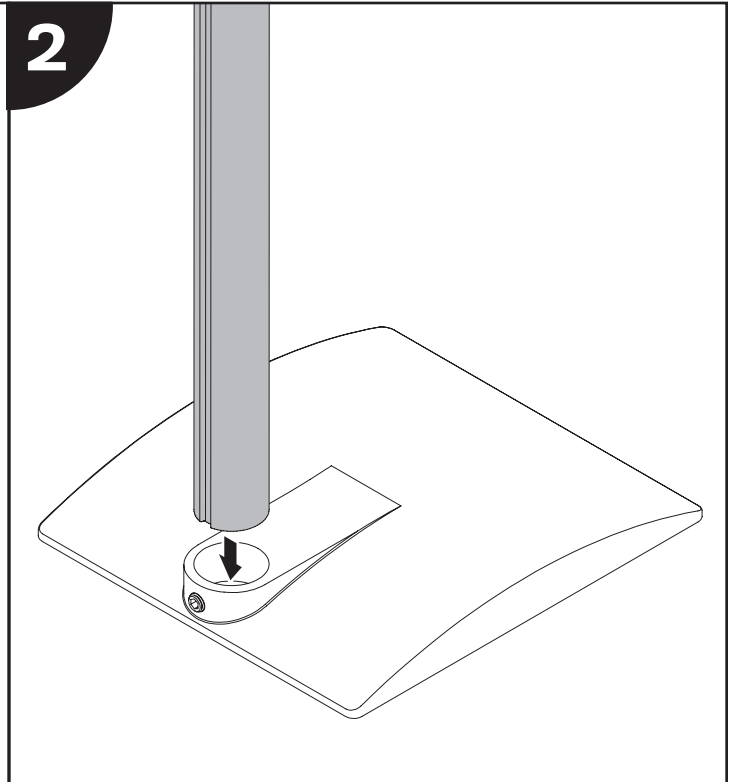
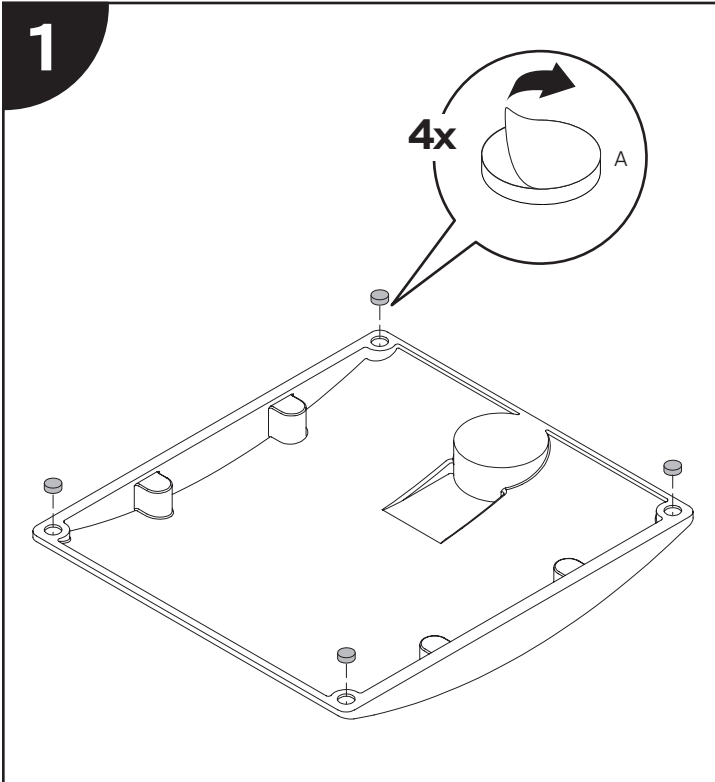
WARNING

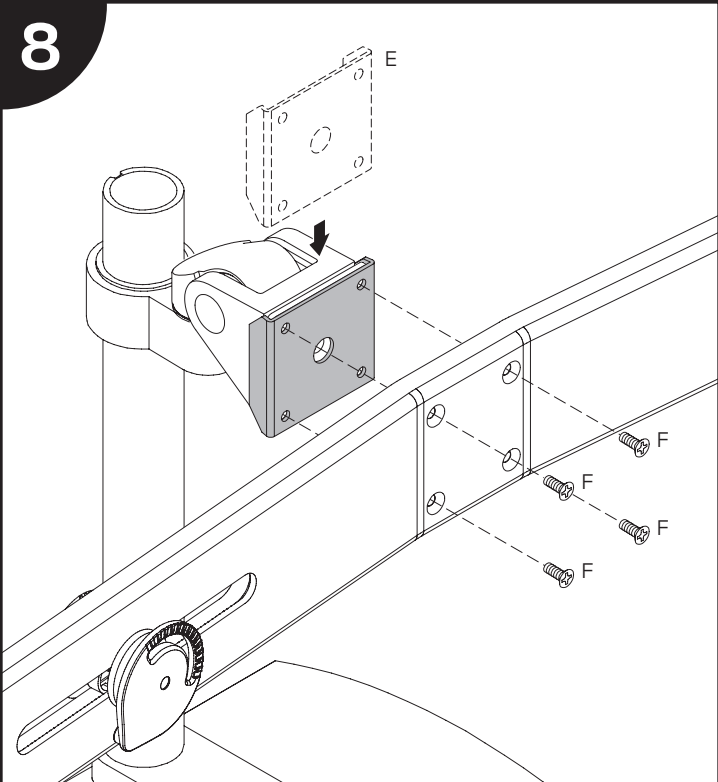
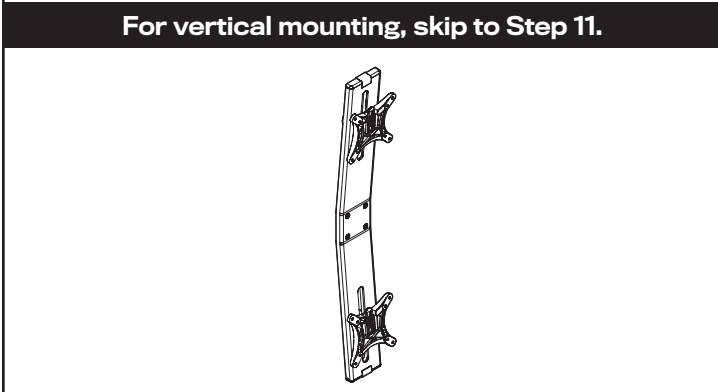
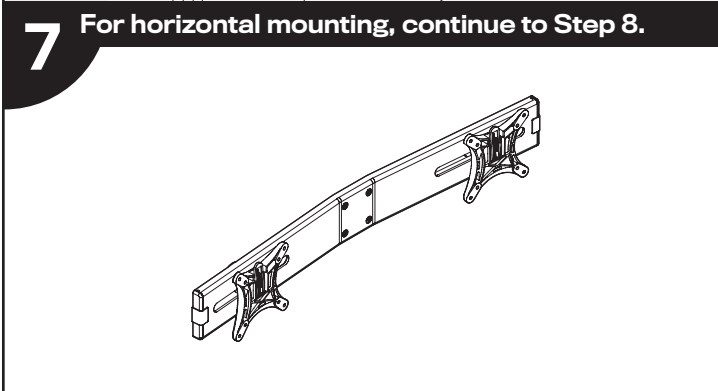
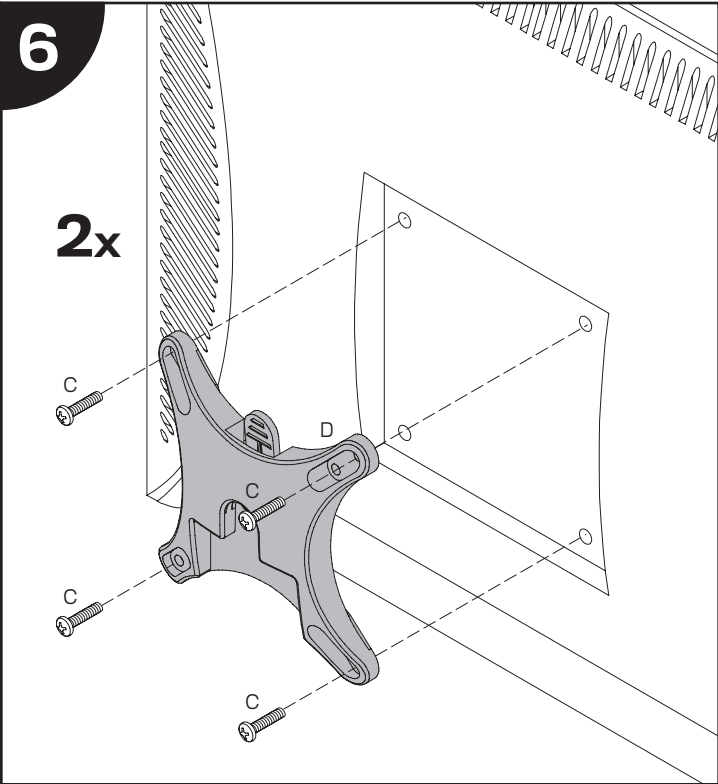
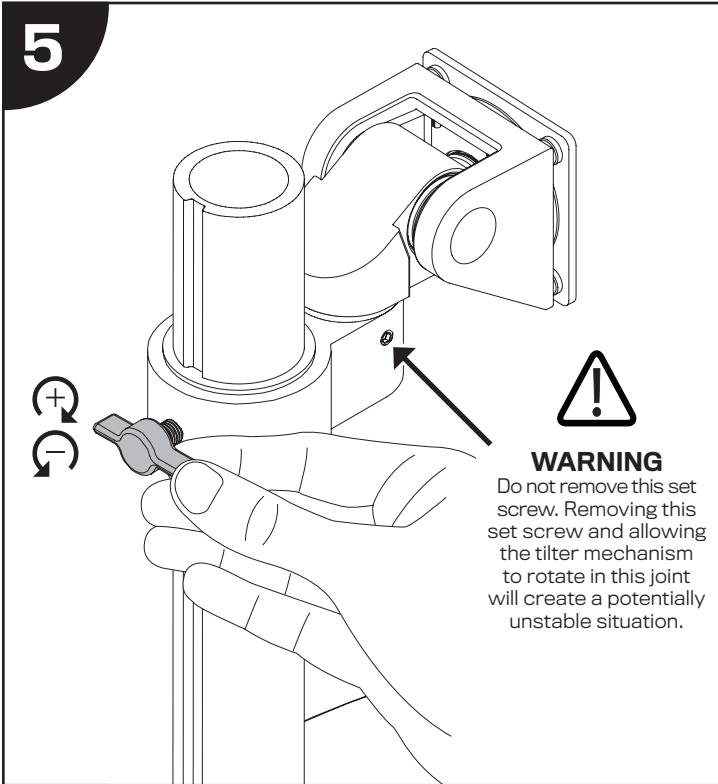
① DO NOT REMOVE THIS SET SCREW.

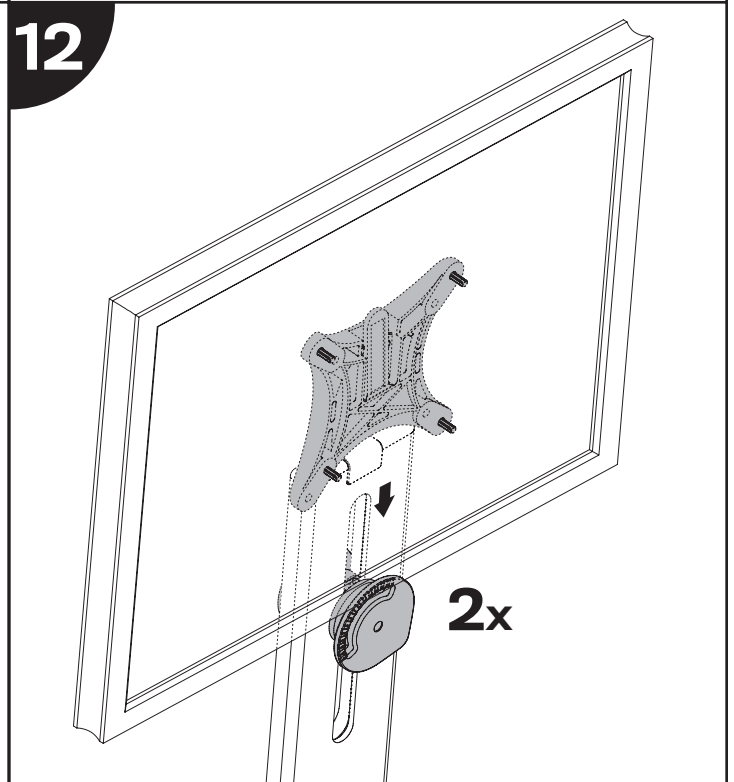
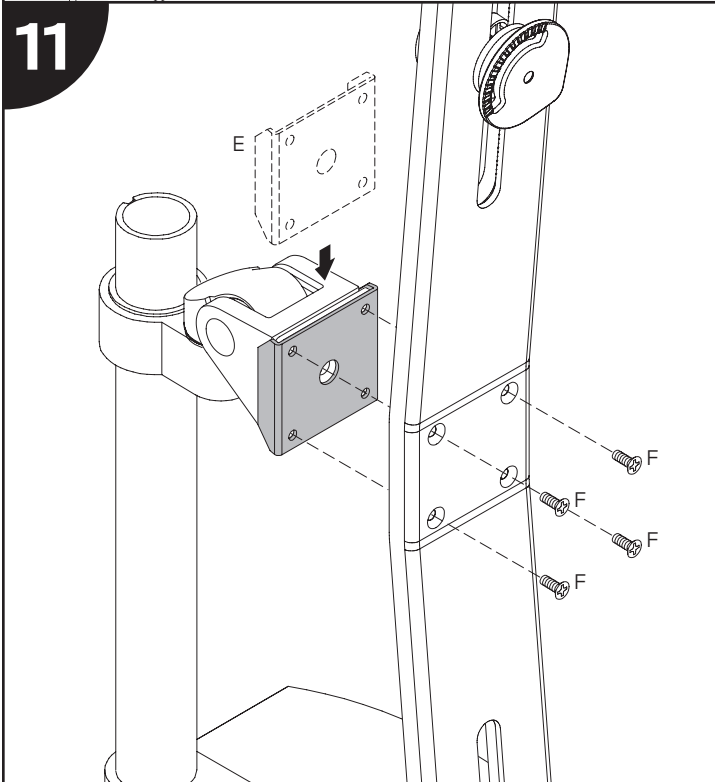
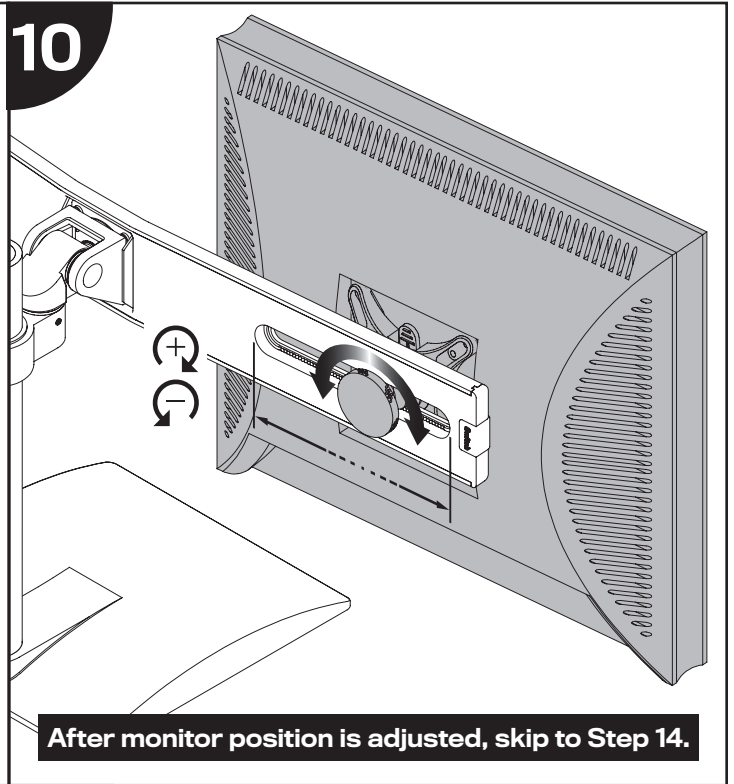
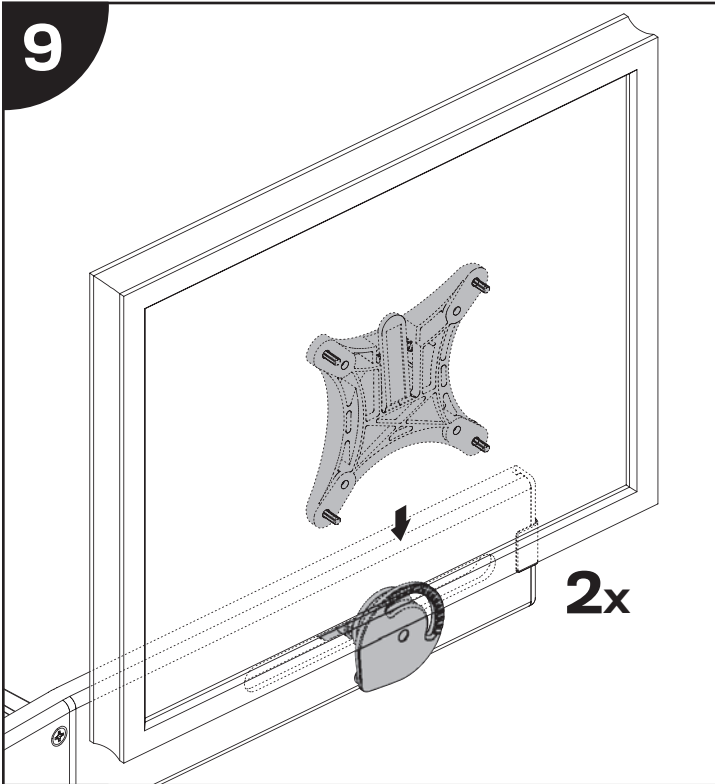
② TILTER SHOULD ALWAYS FACE TOWARD FRONT OF BASE.

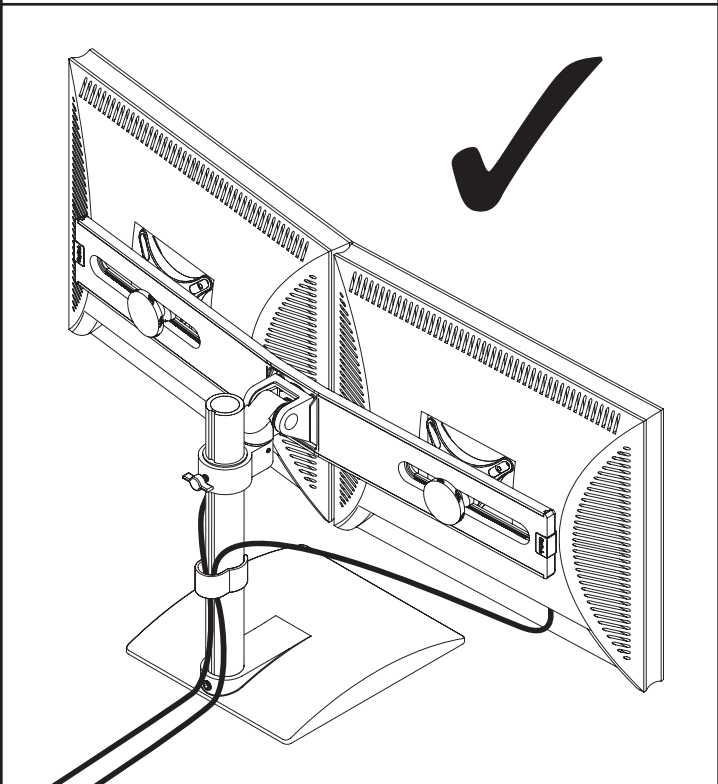
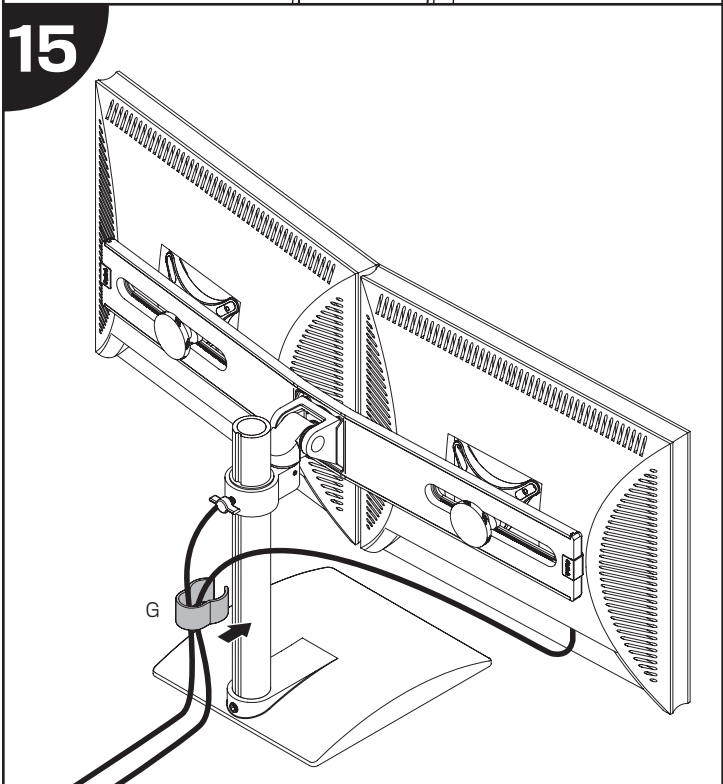
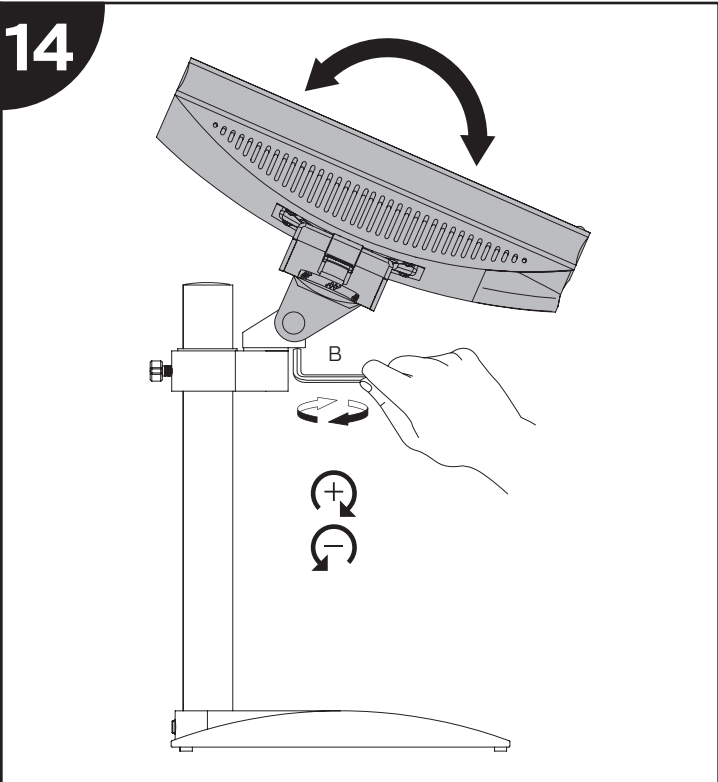
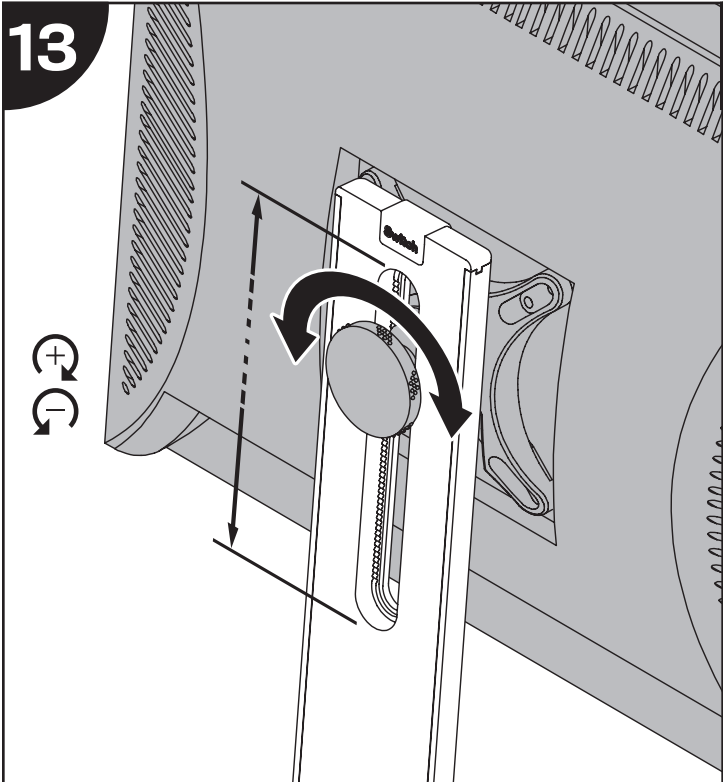
Removing this set screw and allowing the tilter mechanism to rotate in this joint will create a potentially unstable situation.



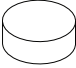

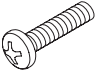



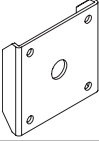







PARTS LIST

ITEM	DESCRIPTION / PART NO.	QUANTITY
A	1/8" Thick x 1/4" Dia. Bumper 701217	4
		
B	7/32" Allen Wrench 701127	1
		
C	M4 x 12mm Pan Head Screw 701153	8
		
D	75mm/100mm VESA® Adapter 109464	2
		

ITEM	DESCRIPTION / PART NO.	QUANTITY
E	Rotation Prevention Bracket 106271	1
		
F	10-32 x 1/2" FPhMS 709129	4
		
G	Cable Clip 105445	1
