

# VERTICAL TRACK SYSTEM

MONITOR MOUNTS



HAT  
DESIGN WORKS™  
HUMAN ACTIVE TECHNOLOGY

# CONFIGURABLE SYSTEM.

The 8326 vertical mounting track provides a space-efficient method of elevating your entire computer system. This highly configurable solution can be customized to meet your needs by incorporating flexible monitor arms, keyboard arms, and a CPU holder. All cables are routed through track, and hidden behind a cable channel.

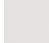

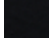


## FEATURES

- **Custom:** Choose from standard length 13", 19" or 31" or contact your sales rep for custom lengths.
- **Clean:** Integrated cable management keeps cables organized and out of view.
- **Configure:** Configure with your choice of monitor arm, keyboard arm and CPU holder.
- **Safe:** Mounting system prevents accidents and trip hazards which may damage equipment or harm staff.

## SPECIFICATIONS

### Finishes

|   |                    |
|---|--------------------|
|  | Flat White<br>248  |
|  | Silver<br>124      |
|  | Vista Black<br>104 |

### Dimensions

Screen Size: Up to 43"  
Mount: Wall

### Part Numbers

8326-\_-\_-



Add any Innovative monitor arm, keyboard arm, CPU holder

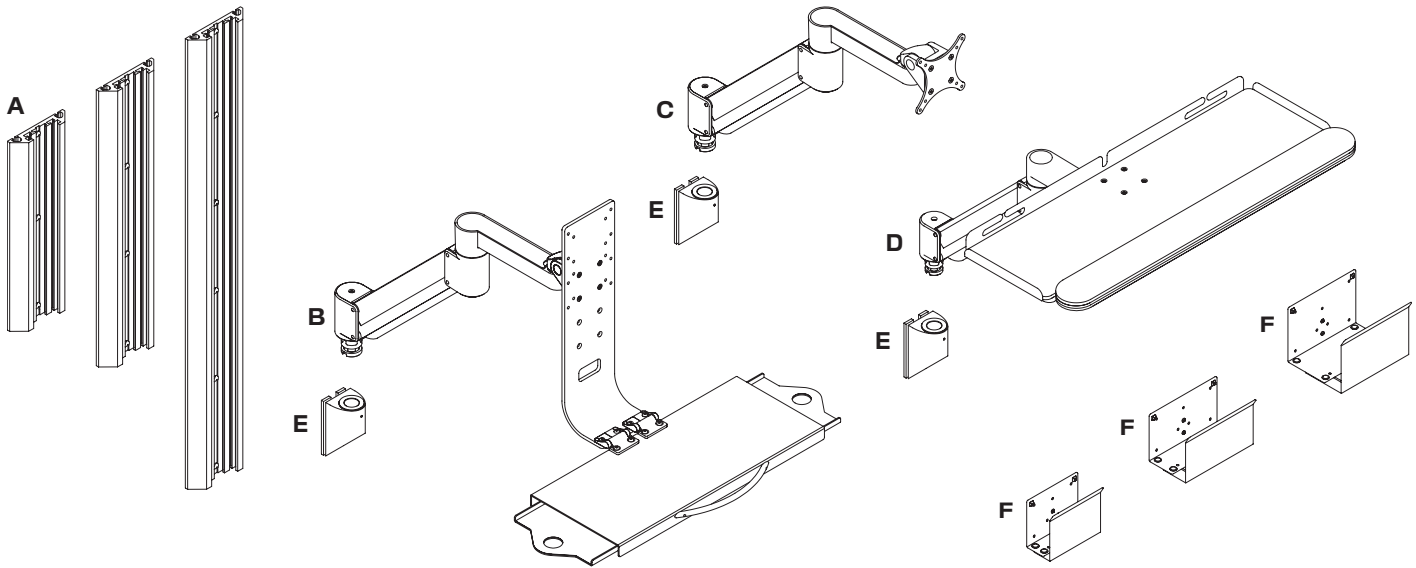
Optional CPU holder elevators your CPU to save space

Cable are routed through track and hidden behind cable channel

## WARRANTY

10 Years

---

**VERTICAL TRACK SYSTEM COMPONENTS**
**A Wall Track**

Choose from three lengths:  
13", 19" and 31".  
(Width of track is 4.4")  
Model 8326

**B Data Entry Monitor Arm**

Supports monitor and keyboard tray.  
(Requires track mount)  
Model 7509

**C Monitor Arm**

Add any Innovative monitor arm.  
(Requires track mount)

**D Keyboard Arm**

Accommodates keyboard and mouse.  
(Requires track mount)  
Model 7019-NM

**E Track Mount**

Mounts arm to track.  
Model 8328

**F CPU Mount**

Adjustable mount secures CPU.  
Model 8335-SM, 2-3" wide  
Model 8335-MD, 3-5" wide  
Model 8335-LG, 5-7" wide