

PARTS LIST

NOTE: DEPENDING ON YOUR 100 SERIES CONFIGURATION, YOU MAY NOT RECEIVE ALL PARTS SHOWN BELOW.

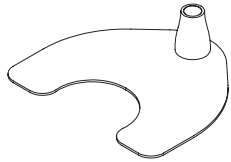
A Single Tier Pole - 16"
415749-16



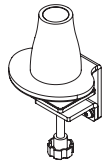
B Dual Tier Pole - 28"
415749-28



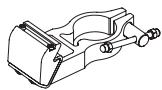
C Desktop Base
415745



D Clamp Mount
415756-BLK



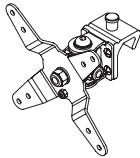
E Direct Mount
415748



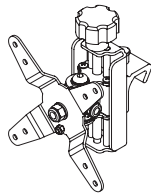
F Hinged Wings
415757



G Standard Tilter
412445



H Adjustable Tilter
412446



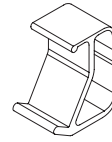
I M4 x 10mm Screw



J Pole Cable Clip
105445



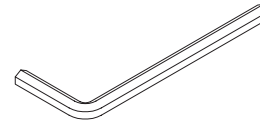
K Wing Cable Clip
112457



L 3mm Allen Wrench

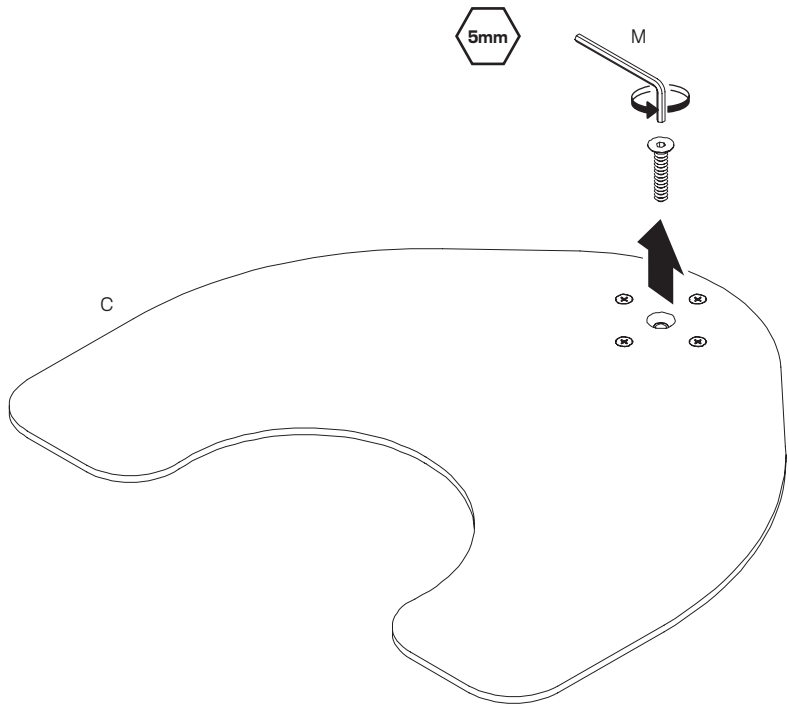


M 5mm Allen Wrench

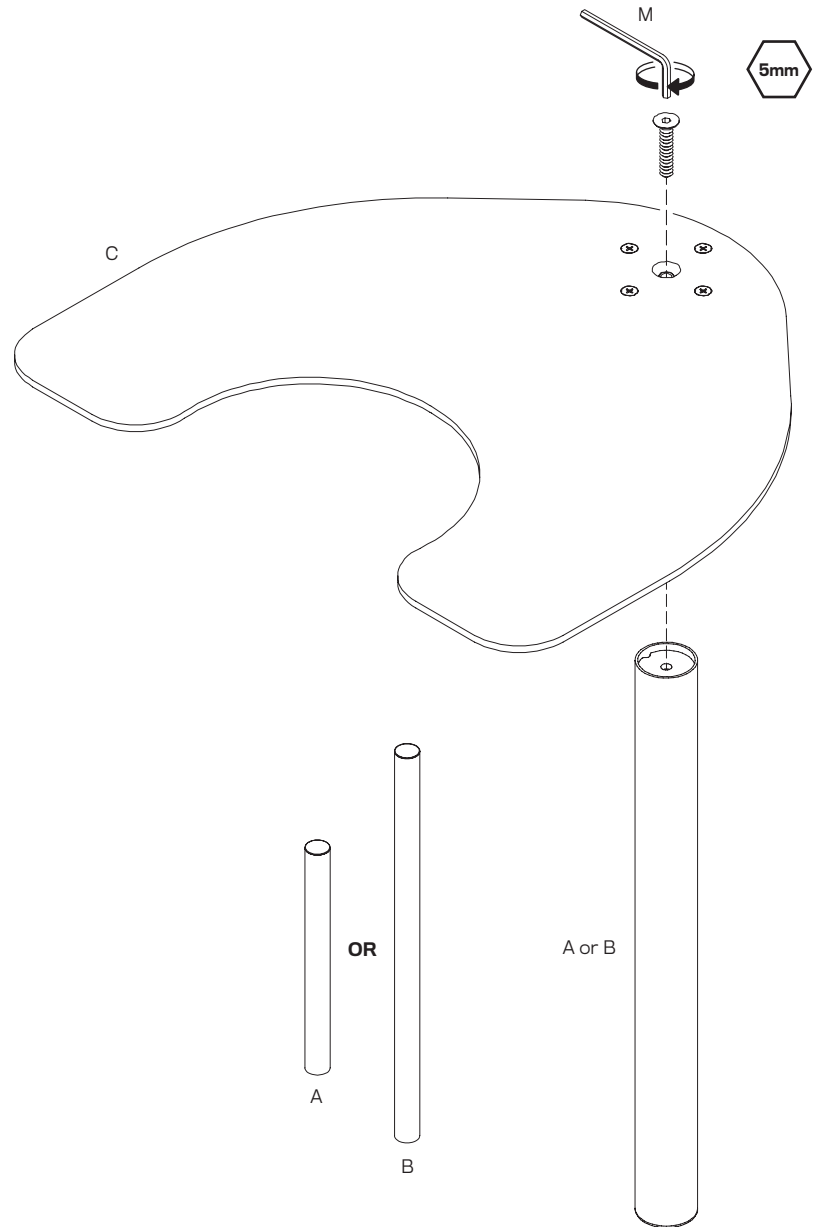


DESKTOP BASE

1

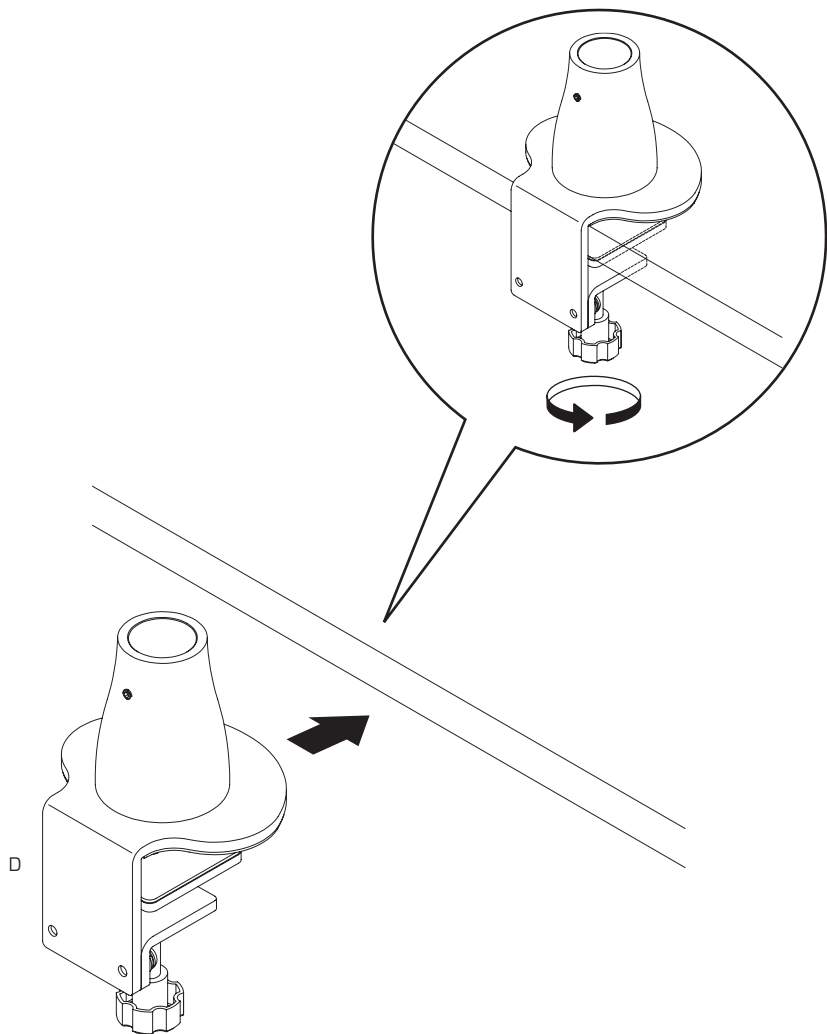


2

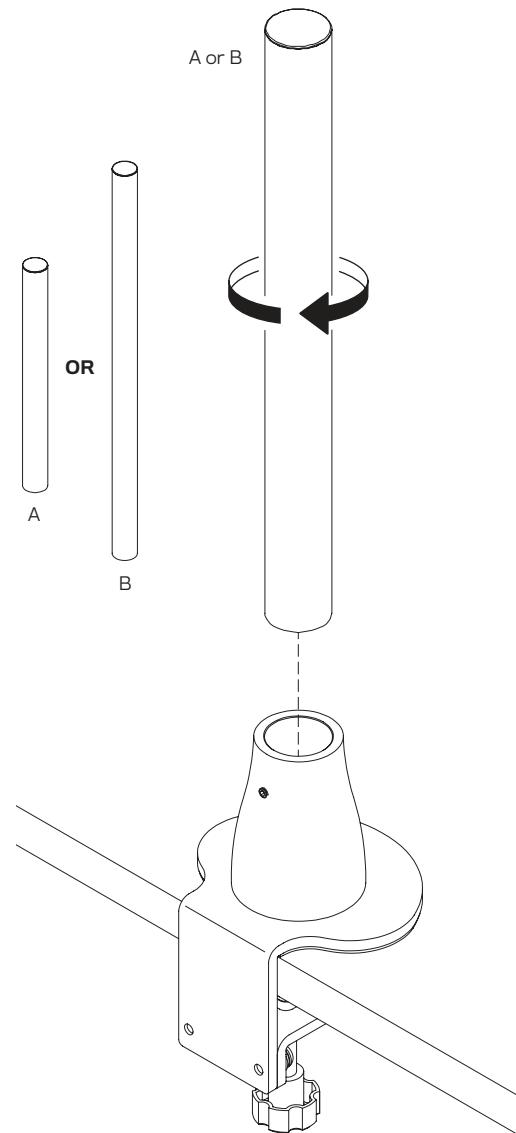


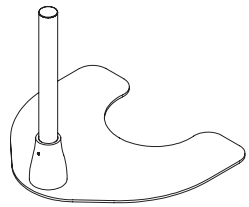
CLAMP MOUNT*

3

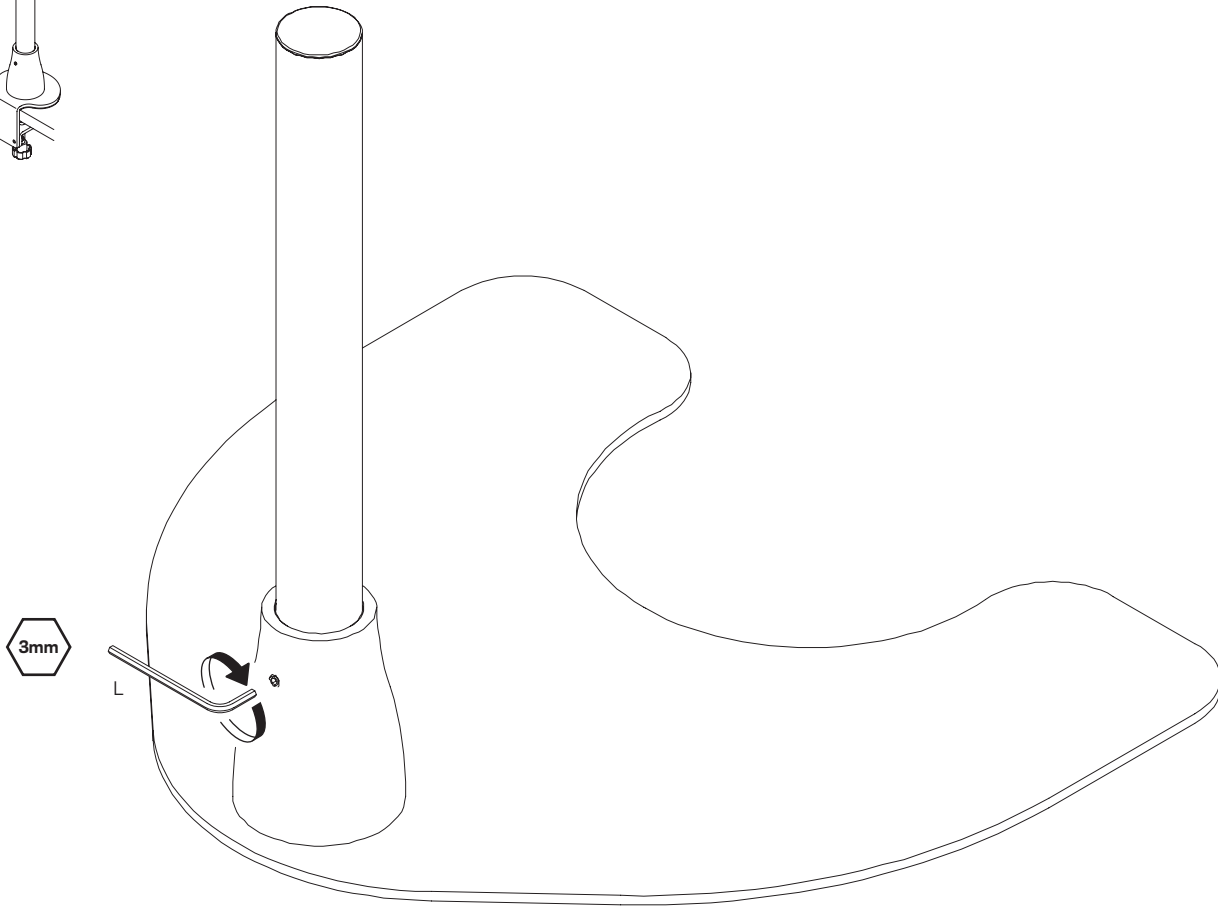
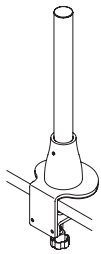


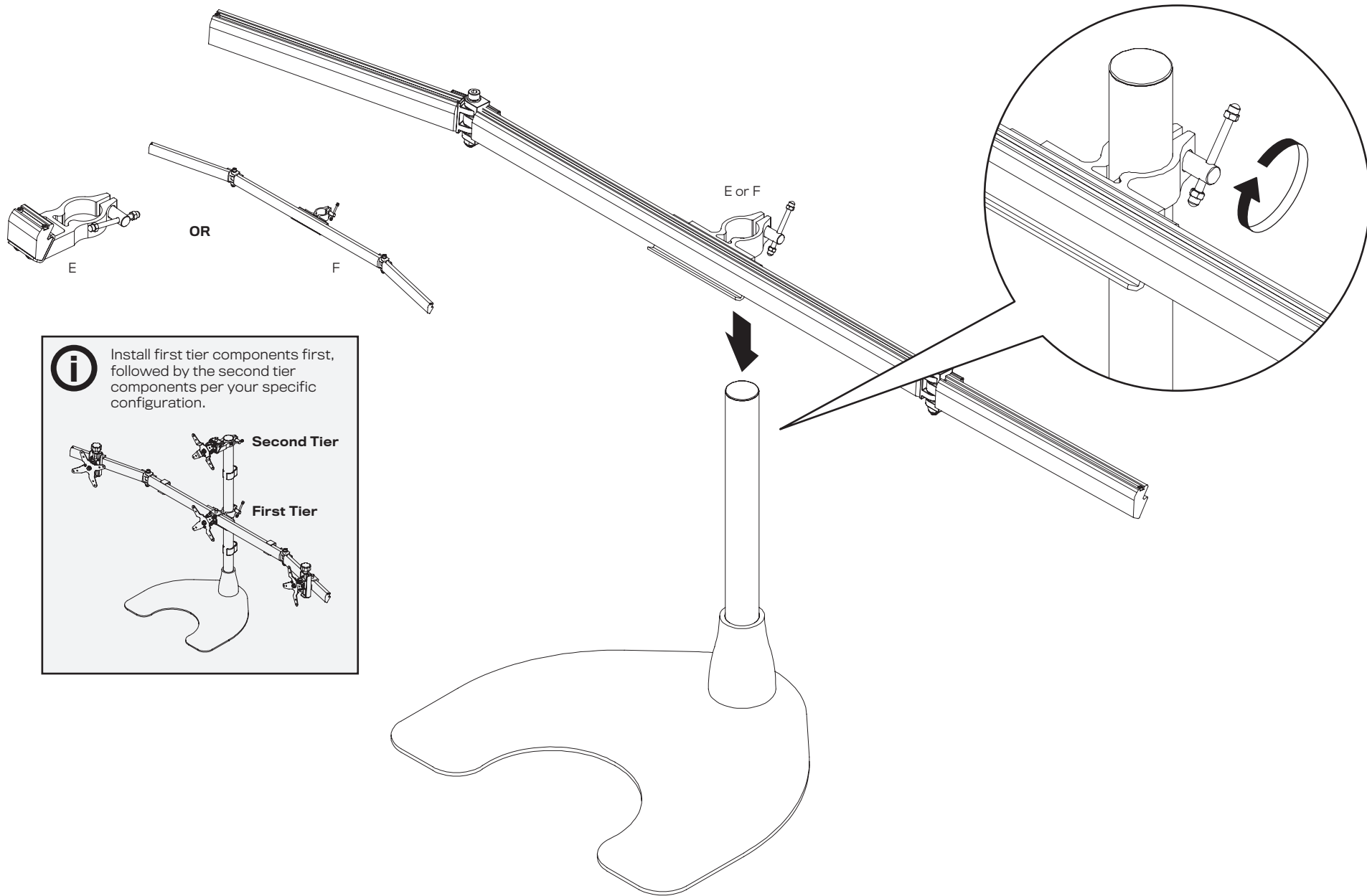
4

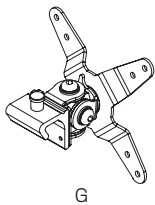




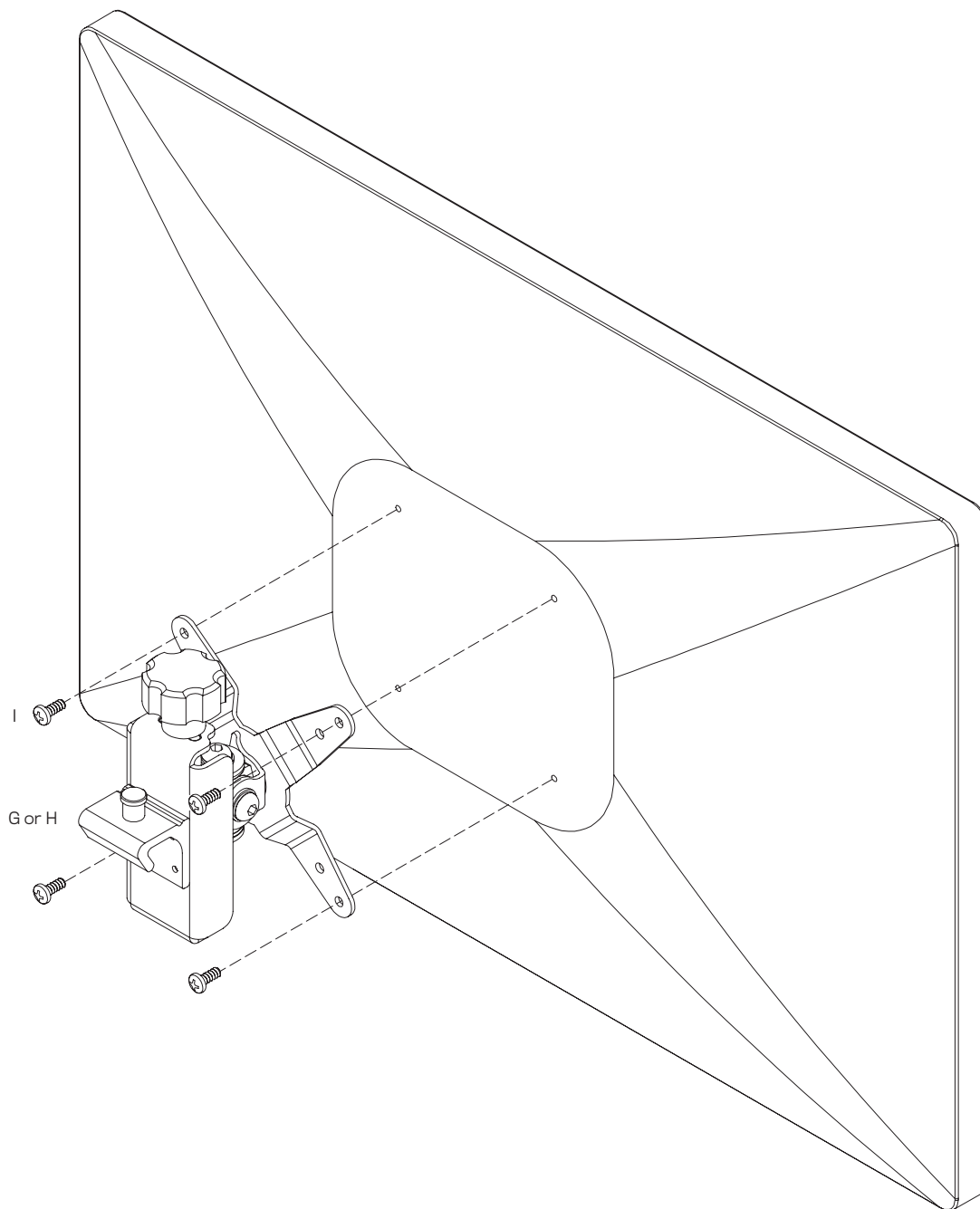
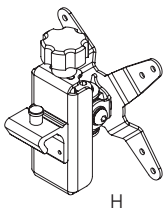
OR



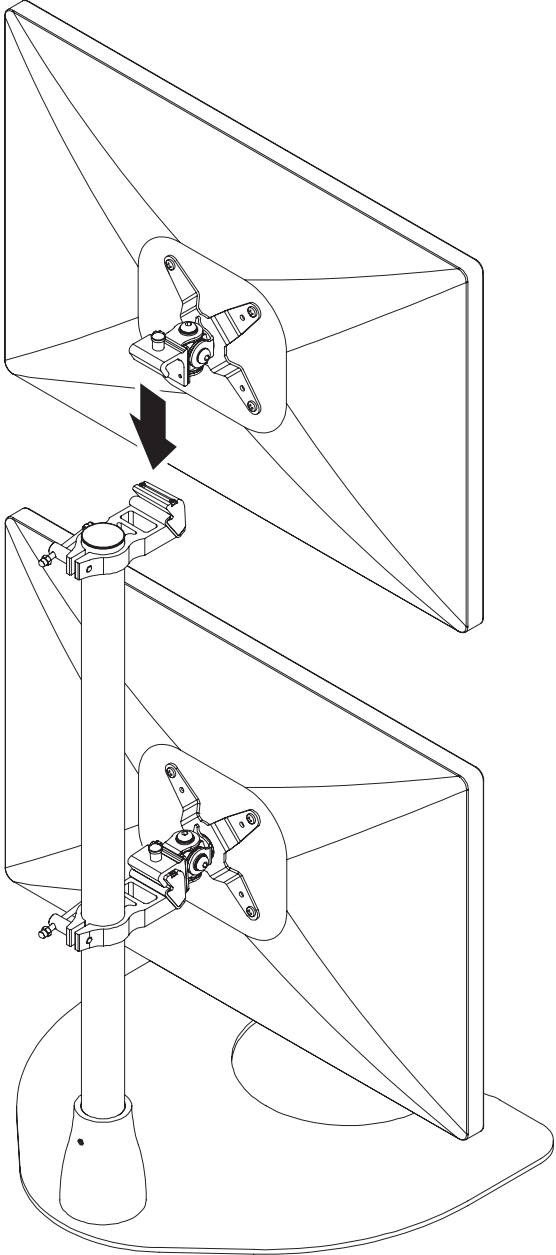




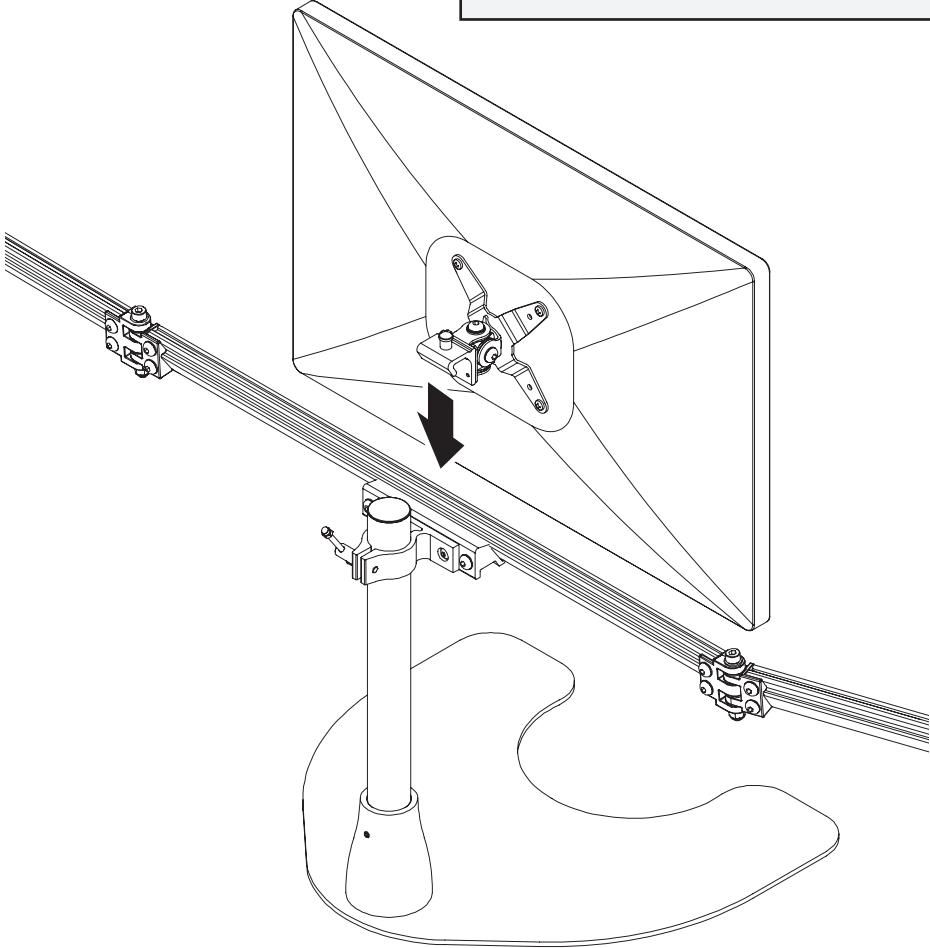
OR



8

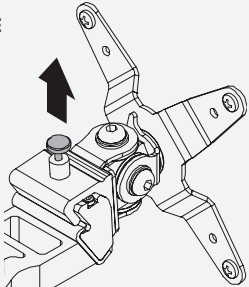


OR



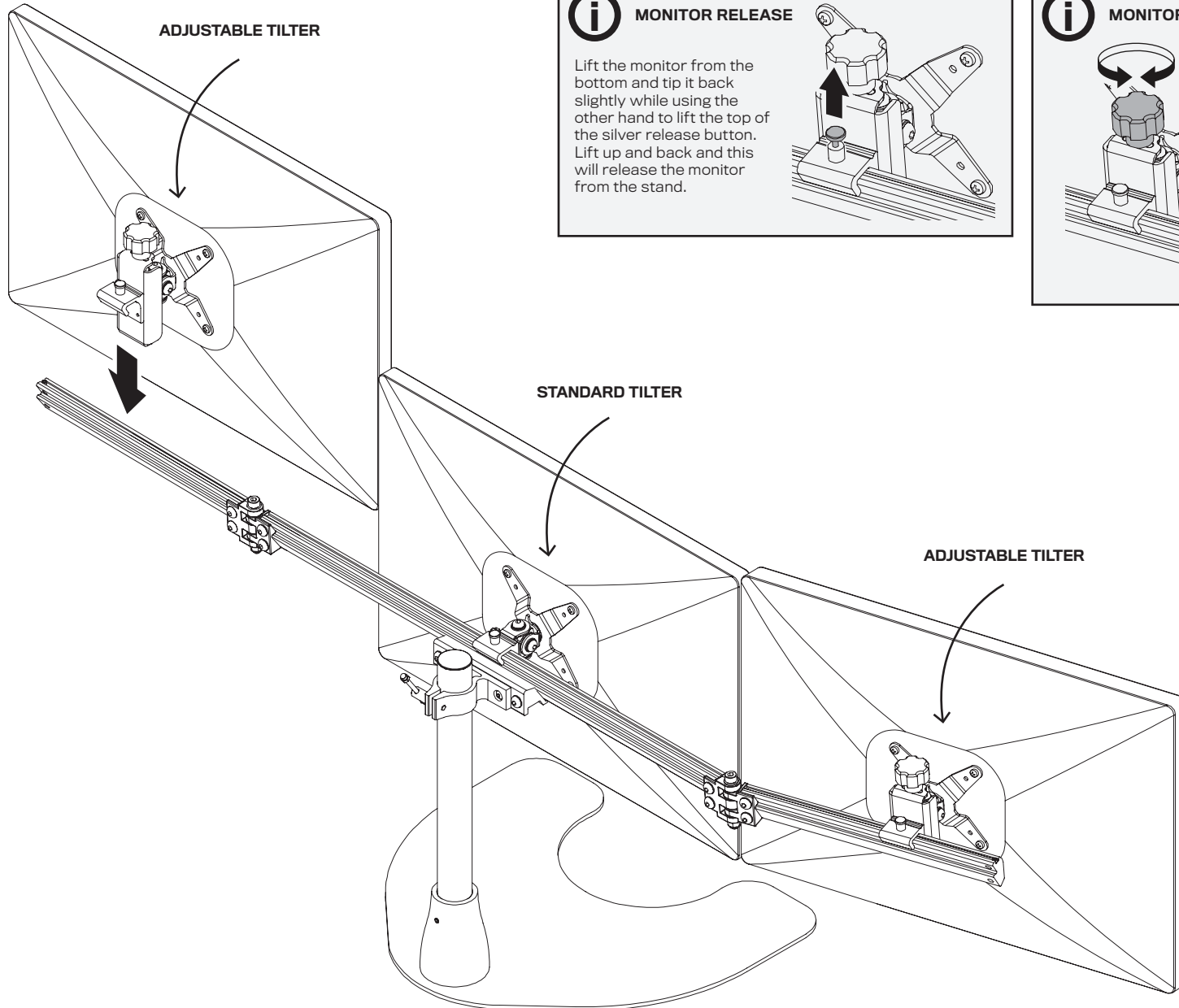
MONITOR RELEASE

Lift the monitor from the bottom and tip it back slightly while using the other hand to lift the top of the silver release button. Lift up and back and this will release the monitor from the stand.



ADJUSTABLE TILTER

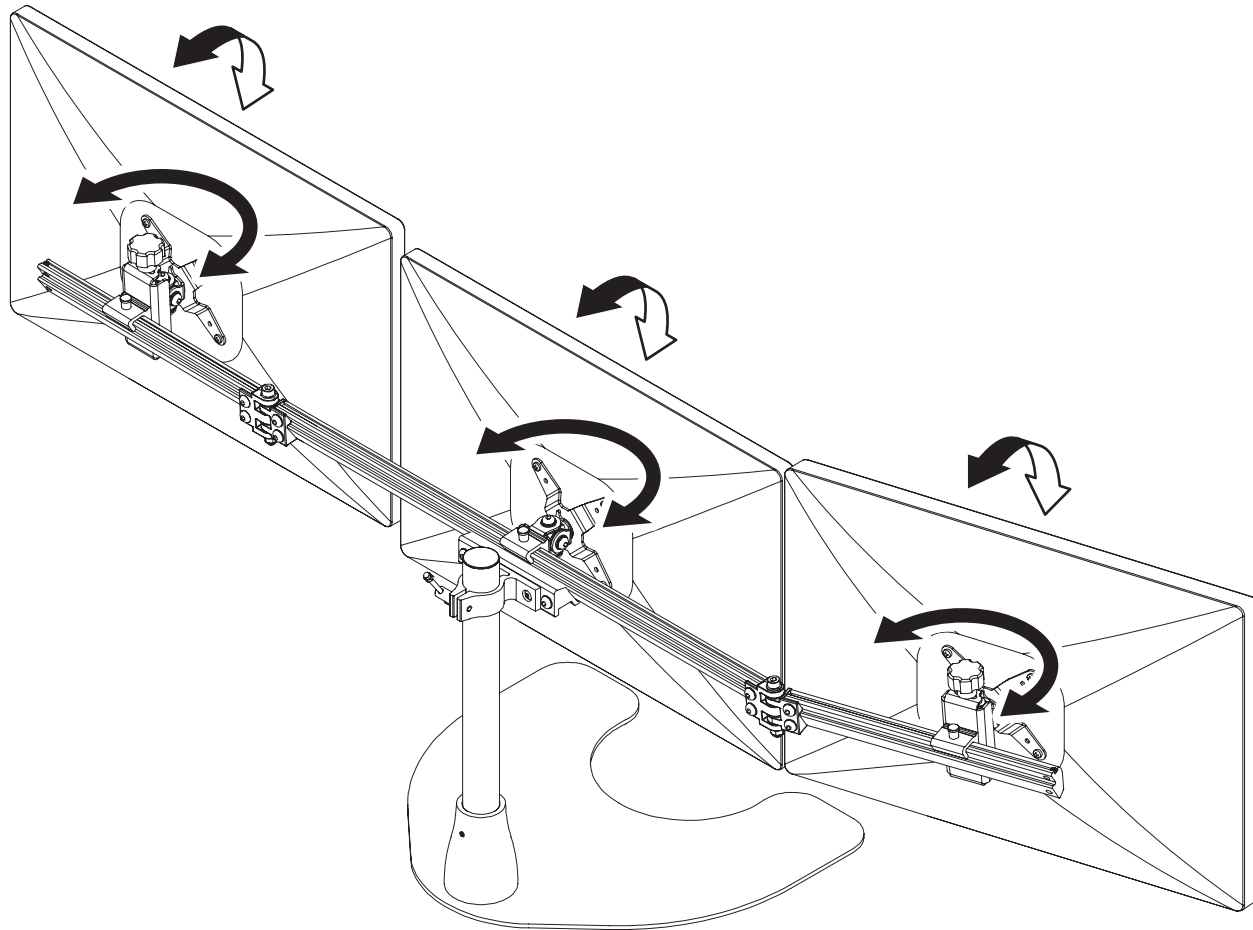
9



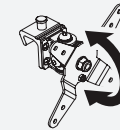
i **MONITOR RELEASE**

Lift the monitor from the bottom and tip it back slightly while using the other hand to lift the top of the silver release button. Lift up and back and this will release the monitor from the stand.

i **MONITOR HEIGHT FINE TUNE ADJUSTMENT**

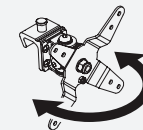
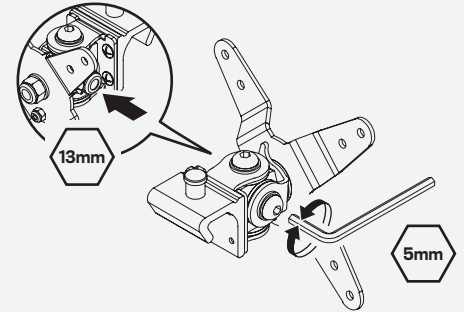


OPTIONAL TILTER ADJUSTMENTS



Tilt Adjustment

Tilt friction can be loosened or tightened by adjusting the 5mm hex key on the side of the tilter. Secure the nut (13mm), located on the opposite side of the tilter, while adjusting hex screw.



Rotation Adjustment

Rotation friction can be loosened or tightened by adjusting the hex screws at the top and bottom of the tilter with a 5mm hex key.

