

# ergotron®

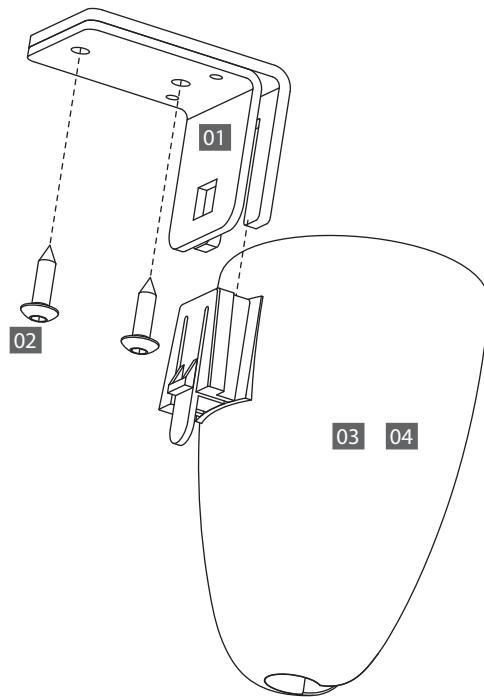
---

## Zido™ Gel Cup/Probe Holders



Product	Part#
Zido Gel Cup/Probe Holder Small	ZGCSSB
Zido Gel Cup/Probe Holder Large	ZGCLSB

NOTE: The Zido Base Unit is not included.



## WELCOME

Thank you for purchasing Zido Gel Cup/Probe Holder!

If you have any questions or if we can help you in any way, please contact us at 800.325.3841.

## PARTS LIST

Before beginning assembly of your Zido accessory, please review the parts list to verify that your shipment is complete.

A 5/32" hex driver (provided with your Zido cart) is required for this assembly.

A 1/8" drill bit and electric drill are also required.

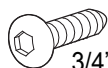
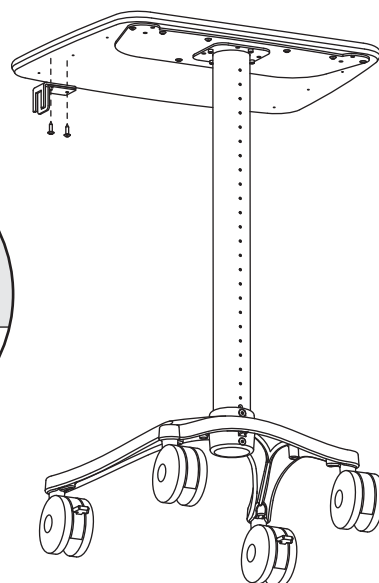
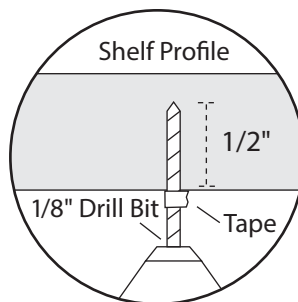
Product	Quantity
01 Zido Gel Cup/Probe Holder Bracket	1
02 3/4" MDF Wood Screws	2
03 Long Gel Cup/Probe Holder	1
04 Short Gel Cup/Probe Holder (not shown)	1

---

## STEP 1

### Install the Bracket

- Select the installation location. Place the mounting bracket on the bottom of the shelf at the desired location so that the side with four holes is against the shelf.
- Using the Mounting Bracket as a template, mark the drill points through the two larger bracket holes onto the bottom of the shelf.
- Drill the screw holes using a 1/8" drill bit. Because the shelf is 3/4" thick, only drill the hole 1/2" deep. (Mark your drill bit with masking tape to be sure you don't drill too far.)
- Install the bracket onto the shelf using two 3/4" MDF wood screws.



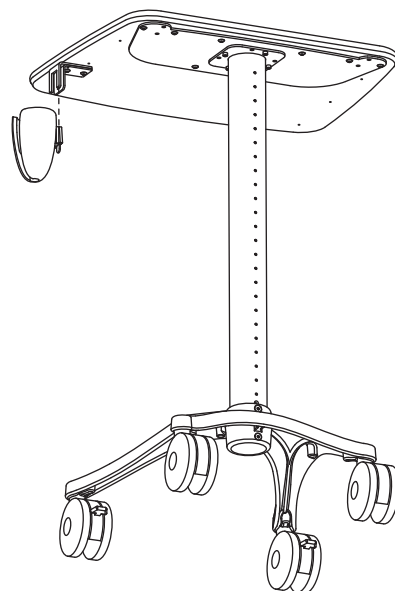
3/4" Button Hd PB Screw

---

## STEP 2

### Install the Holder

- Slide the Gel Cup/Probe Holder over the bracket until it clicks into place.



---

**CONGRATULATIONS! YOUR HOLDER ASSEMBLY IS COMPLETE!**

# ergotron®

For the latest User Installation Guide please visit: [www.ergotron.com](http://www.ergotron.com)

For Warranty visit: [www.ergotron.com/warranty](http://www.ergotron.com/warranty)

For Service visit: [www.ergotron.com](http://www.ergotron.com)

For local customer care phone numbers visit: <http://contact.ergotron.com>

© 2019 Ergotron, Inc. All rights reserved.

[www.ergotron.com](http://www.ergotron.com) | USA: 1-800-888-8458

While Ergotron, Inc. makes every effort to provide accurate and complete information on the installation and use of its products, it will not be held liable for any editorial errors or omissions (including those made in the process of translation from English to another language), or for incidental, special or consequential damages of any nature resulting from furnishing this instruction and performance of equipment in connection with this instruction. Ergotron, Inc. reserves the right to make changes in the product design and/or product documentation without notification to its users. For the most current product information, or to know if this document is available in languages other than those herein, please contact Ergotron. No part of this publication may be reproduced, stored in a retrieval system, or transmitted in any form or by any means, electronic, mechanical, photocopying, recording or otherwise without the prior written consent of Ergotron, Inc., 1181 Trapp Road, Eagan, Minnesota, 55121, USA Patents Pending and Patented U.S. & Foreign. Ergotron is a registered trademark of Ergotron, Inc.