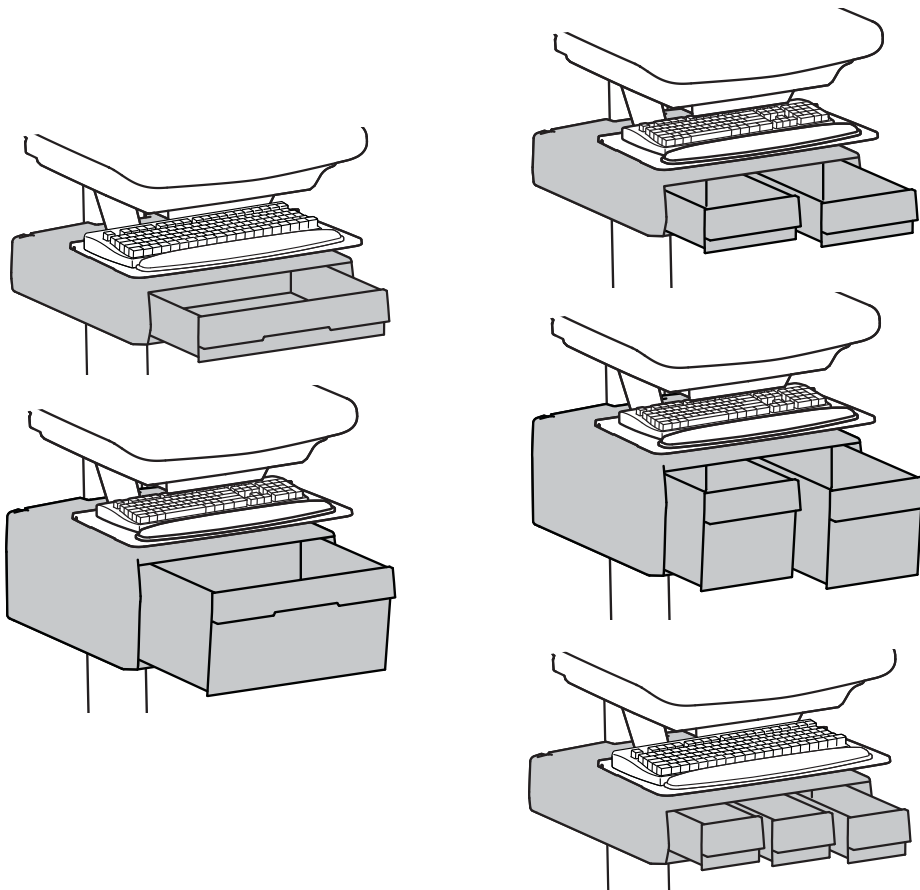


ergotron®

StyleView® SV43/44 Primary Drawer



English







For the latest User Installation Guide please visit: www.ergotron.com

English, Español, Français, Deutsch, Nederlands, Italiano, Svenska, 日本語, 汉语

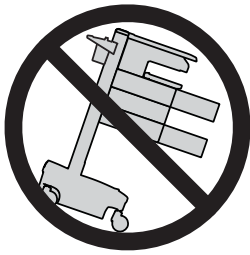
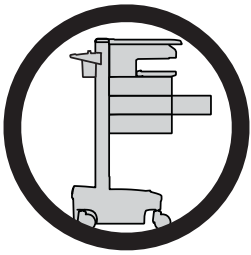
www.ergotron.com | USA: 1-800-888-8458 | Europe: +31 (0)33-45 45 600 | China: 400-120-3051 | Japan: japansupport@ergotron.com

Hazard Symbols Review

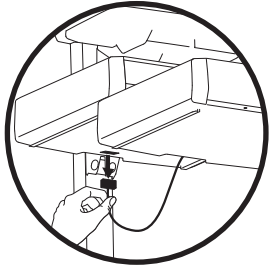
These symbols alert users of a safety condition that demands attention. All users should be able to recognize and understand the significance of the following Safety Hazards if encountered on the product or within the documentation. Children who are not able to recognize and respond appropriately to Safety Alerts should not use this product without adult supervision!

Symbol	Signal Word	Level of Hazard
	NOTE	A NOTE indicates important information that helps you make better use of this product.
	CAUTION	A CAUTION indicates either potential damage to hardware or loss of data and tells you how to avoid the problem.
	WARNING	A WARNING indicates either potential for property damage, personal injury, or death.
	ELECTRICAL	An Electrical indicates an impending electrical hazard which, if not avoided, may result in personal injury, fire and/or death.

Safety



CAUTION: Close worksurface before opening drawers. Open only one drawer at a time. Do Not push cart when drawers or worksurface are open. Failure to follow these instructions may cause the cart to be unstable.



NOTE: When removing drawers from the cart, make sure to disconnect the cable.

WARNING



IMPACT HAZARD!
MOVING PARTS CAN CRUSH AND CUT.

Minimize Lift Tension BEFORE:

- Removing Mounted Equipment.
- Shipping Cart
- Storing Cart

To Minimize Lift Tension


1. Lower worksurface to lowest position.
2. Turn adjustment nut at top of riser counterclockwise until it stops (Adjustment may require 40-60 revolutions).

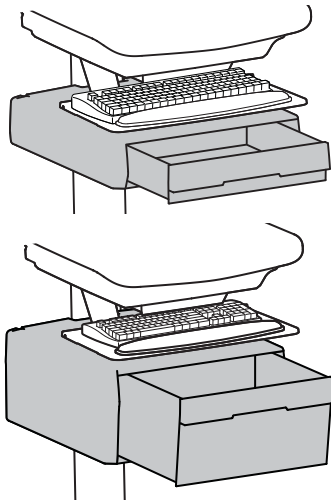
Failure to heed this warning may result in serious personal injury or property damage!

For More information and instructions refer to product guide at <http://4support.ergotron.com> or contact Ergotron Customer Care at 1-800-888-8458.

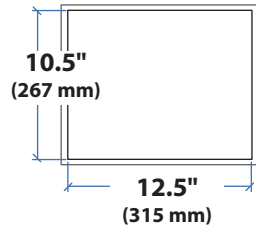
822-052

Features & Specifications

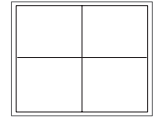
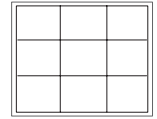
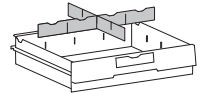
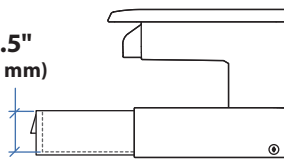
 CAUTION: DO NOT EXCEED MAXIMUM LISTED WEIGHT CAPACITY. SERIOUS INJURY OR PROPERTY DAMAGE MAY OCCUR!



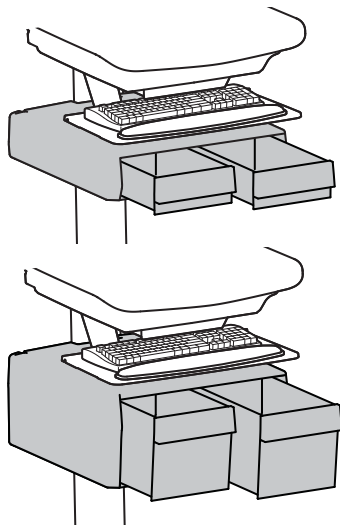
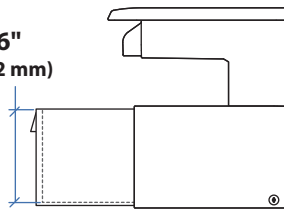

 $\leq 2 \text{ lbs (1 kg)}$
 Total weight capacity per drawer.



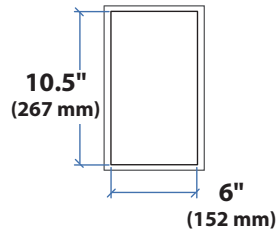
2.5"
(64 mm)



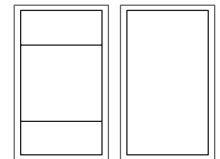
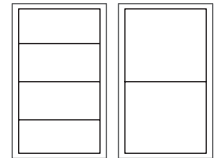
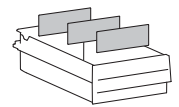
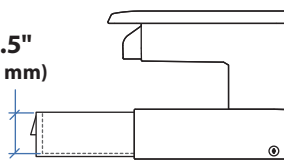
6"
(152 mm)



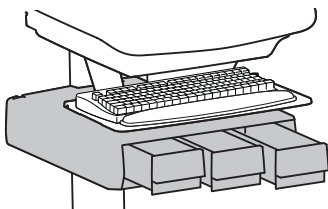
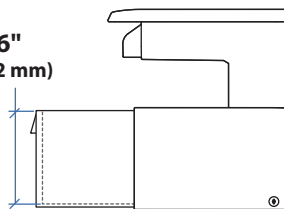

 $\leq 1 \text{ lbs (0.5 kg)}$
 Total weight capacity per drawer.



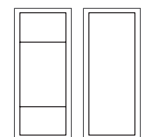
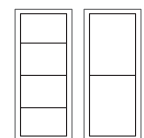
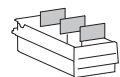
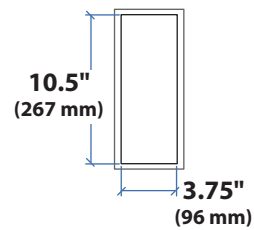
2.5"
(64 mm)



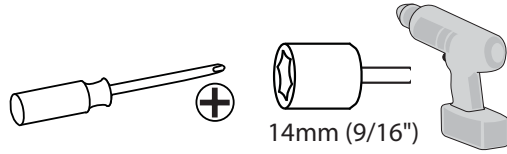
6"
(152 mm)




 $\leq 0.25 \text{ lbs (0.1 kg)}$
 Total weight capacity per drawer.



Tools Needed



Components



	A	B	C	D
1	1x	2x M6 x 43mm	2x M6 x 15mm	1x

This manual covers the installation of 5 possible drawers.
There is only 1 drawer provided in this box.

	A	
2	1x	3x 3x
3	1x	2x 2x
4	2x	6x
5	2x	6x
6	3x	9x

Only 2 of these 4 sets of components are provided in this box based on the drawer you ordered.

LCD Carts

	A
7	1x 2x M4 x 14mm

Laptop Carts

	B
7	1x 1x 4x M3 x 14mm

Powered Carts

	A
8	1x

Non-Powered Carts

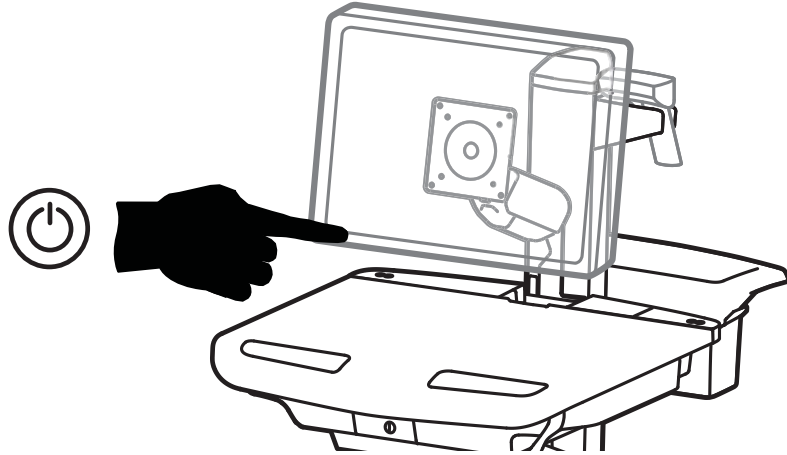
	B
8	1x Battery Pack for Non-Powered Carts Only

1

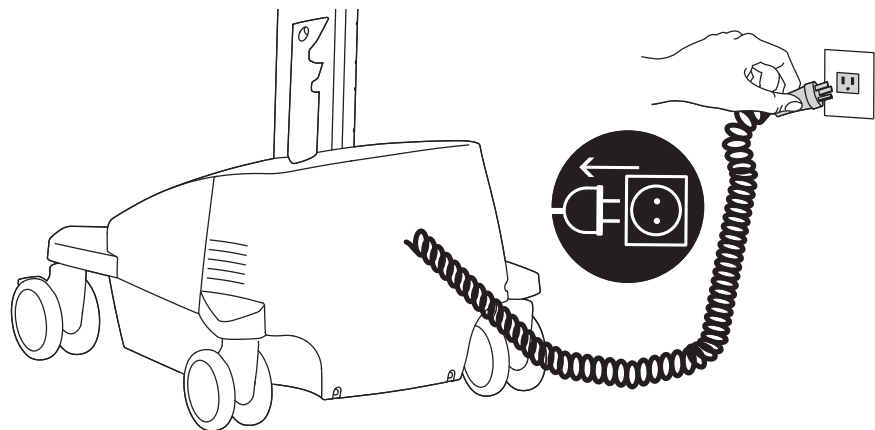


WARNING! Disconnect all power to the cart and turn off all mounted equipment before proceeding with this installation. Failure to follow this warning may result in serious injury and or equipment damage.

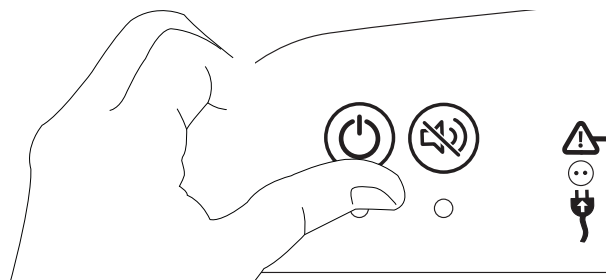
a Turn off all mounted equipment.



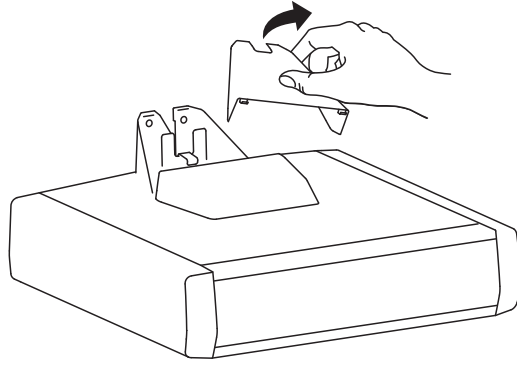
b Disconnect Power System from power source.



c Turn power system off by holding down the AC Outlet Power button for 1 - 3 seconds. Power light will shut off.

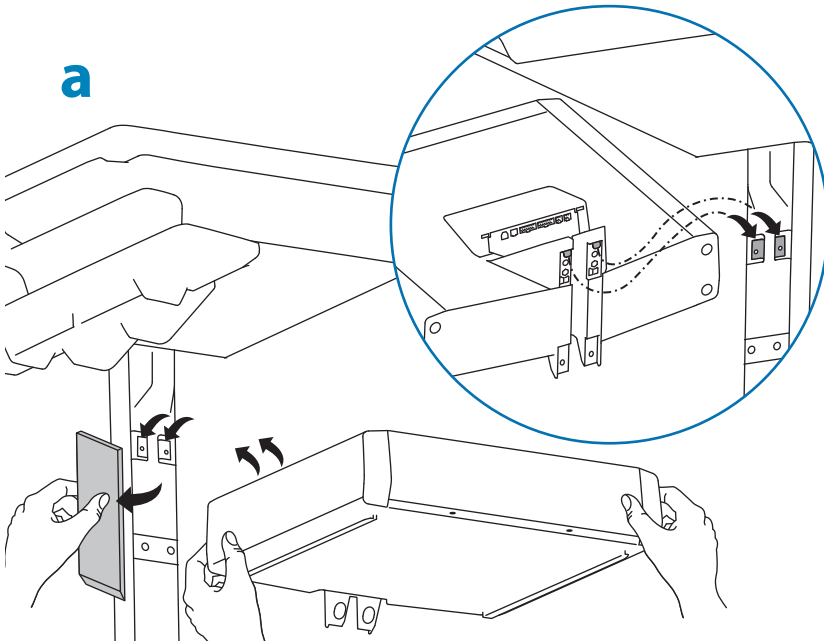


2 Remove the top cover.

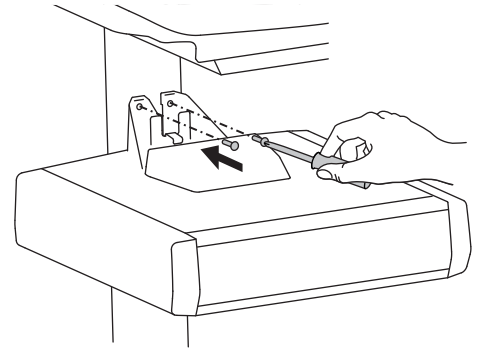
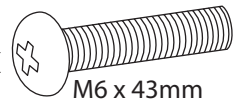


3 Hang the drawer tabs onto the brackets on the cart.

a

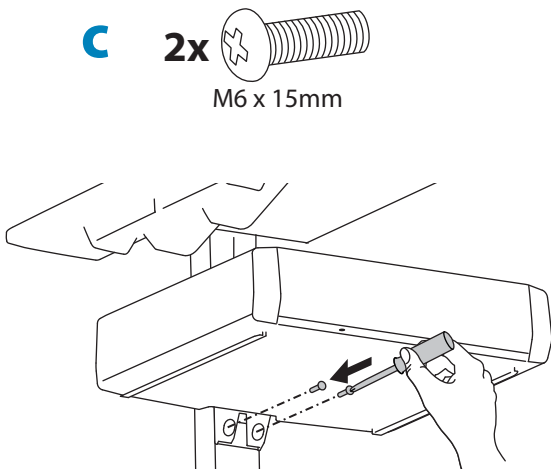


b 2x

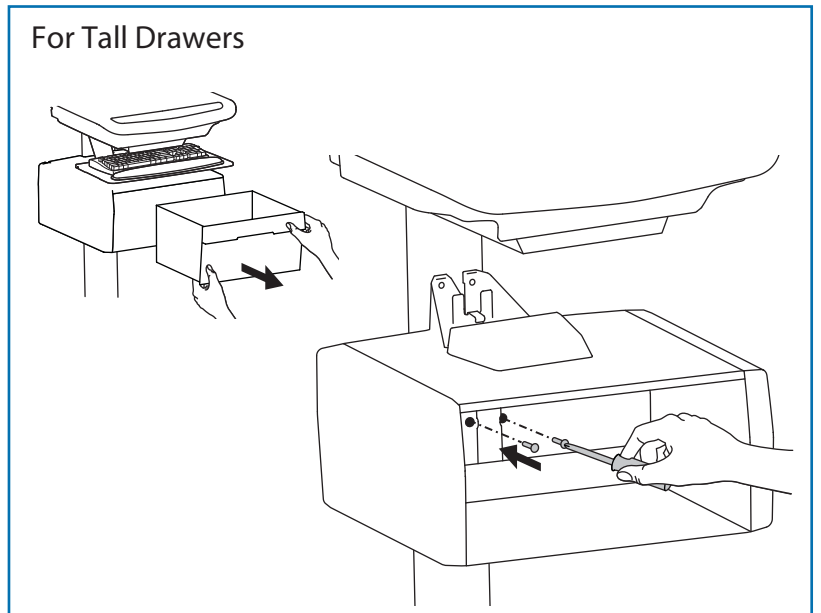


c

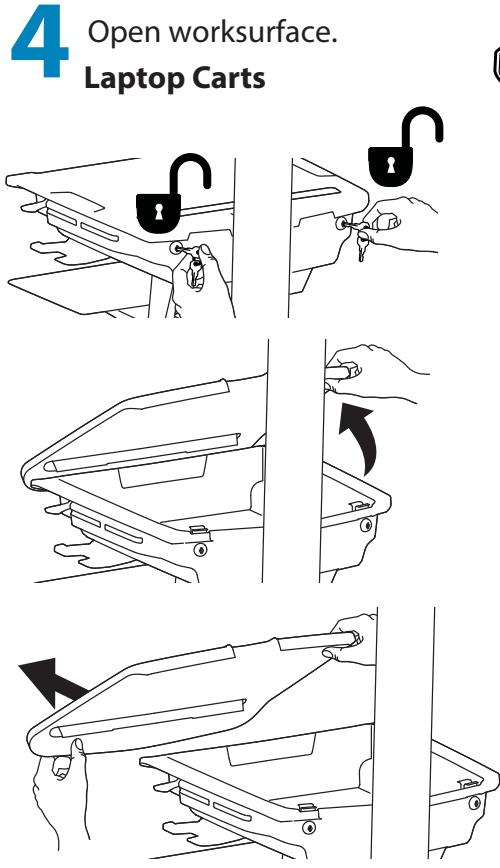
2x
M6 x 15mm



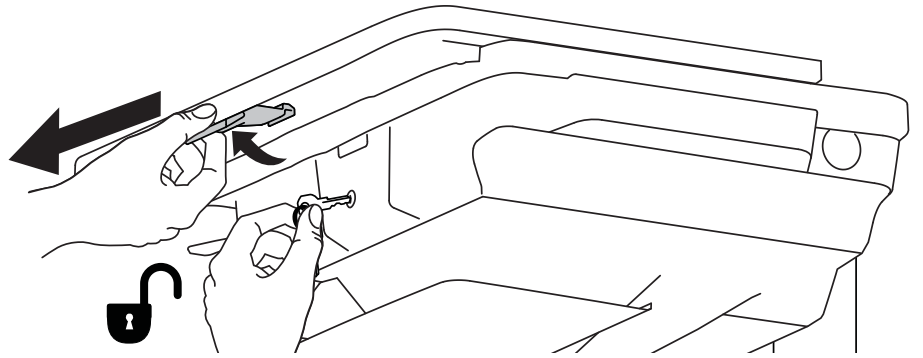
For Tall Drawers



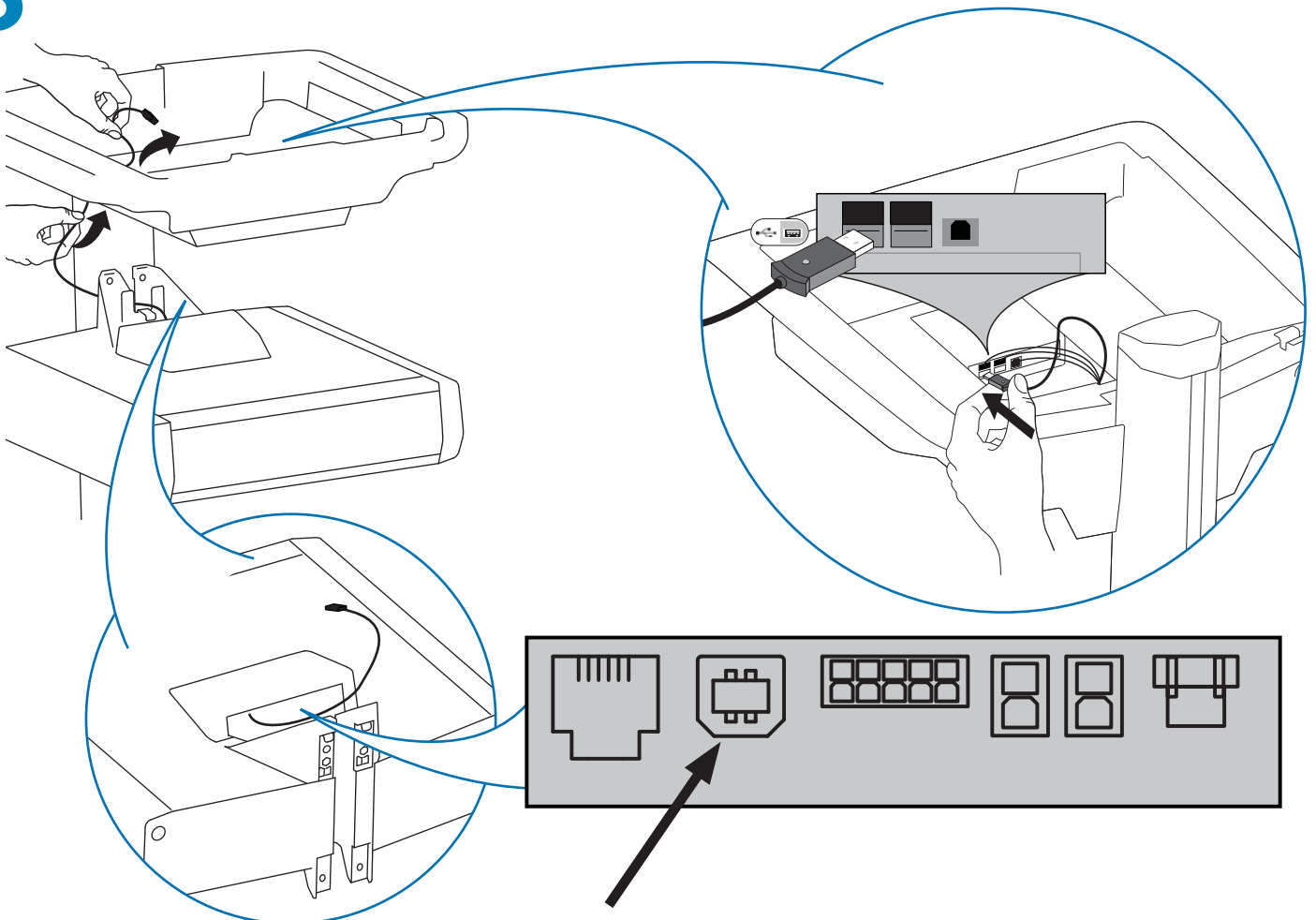
4 Open worksurface. Laptop Carts



LCD Carts

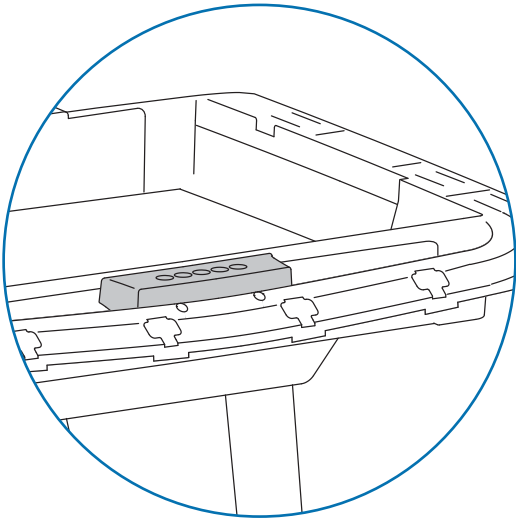
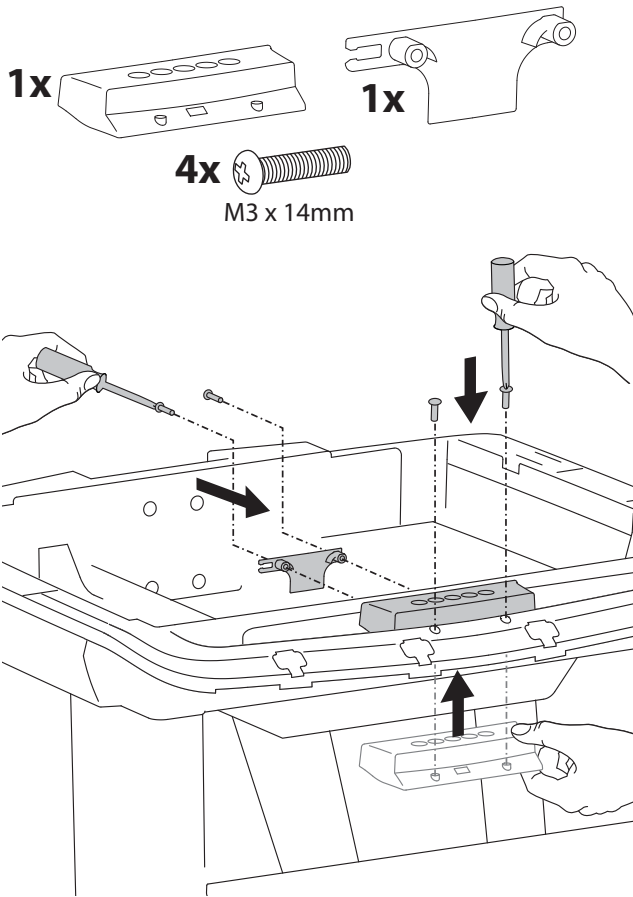


5 Route the USB cable from the drawer controller to the USB hub located inside the cart storage area.



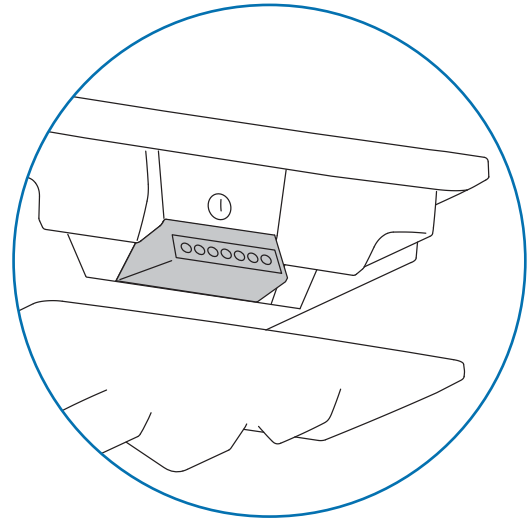
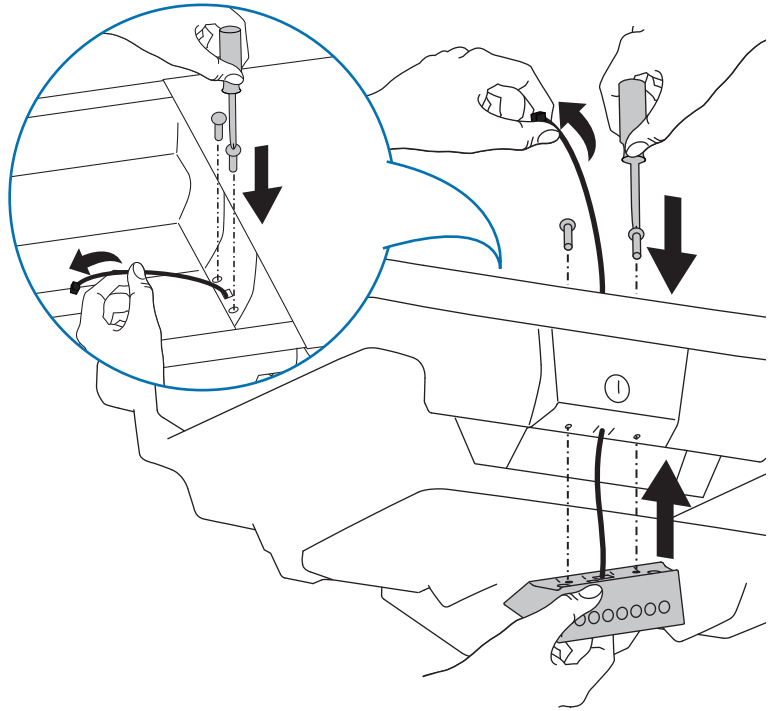
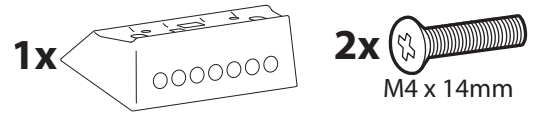
6 Attach drawer keypad.

Laptop Carts



or

LCD Carts

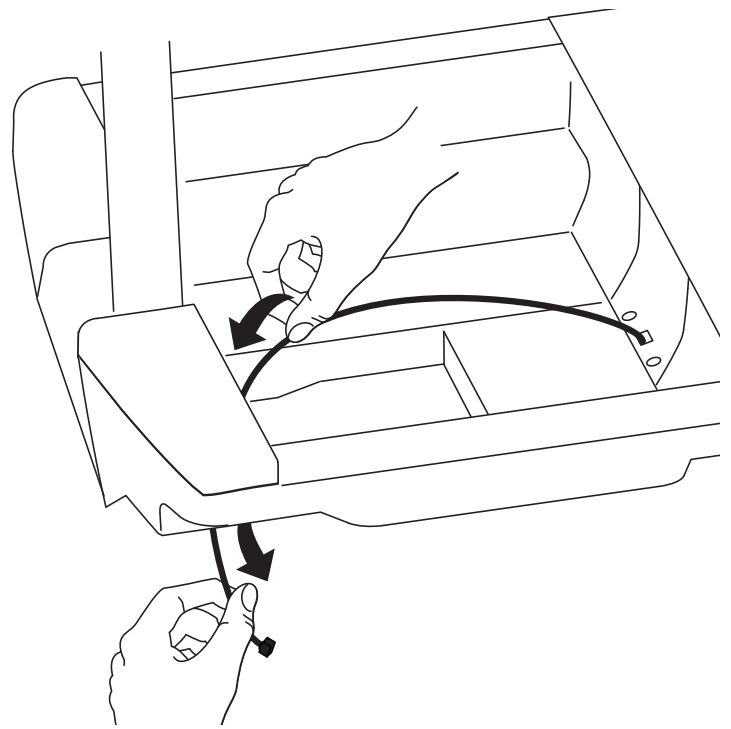
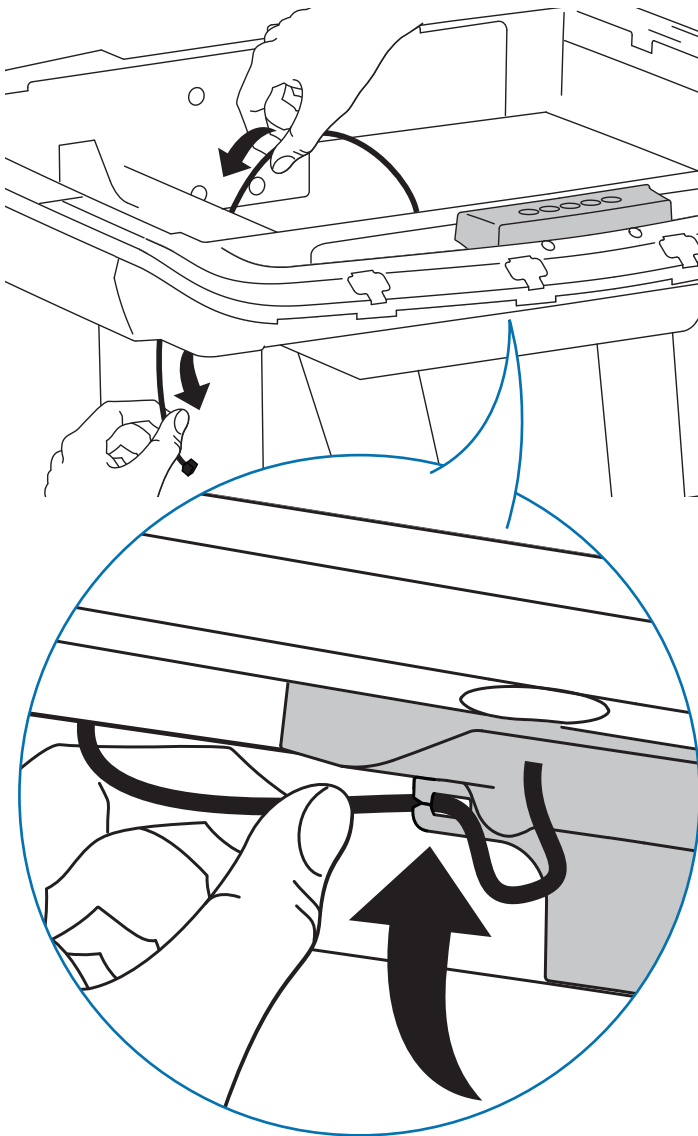


7 Route the keypad cable through the bottom of the storage area to the drawer controller.

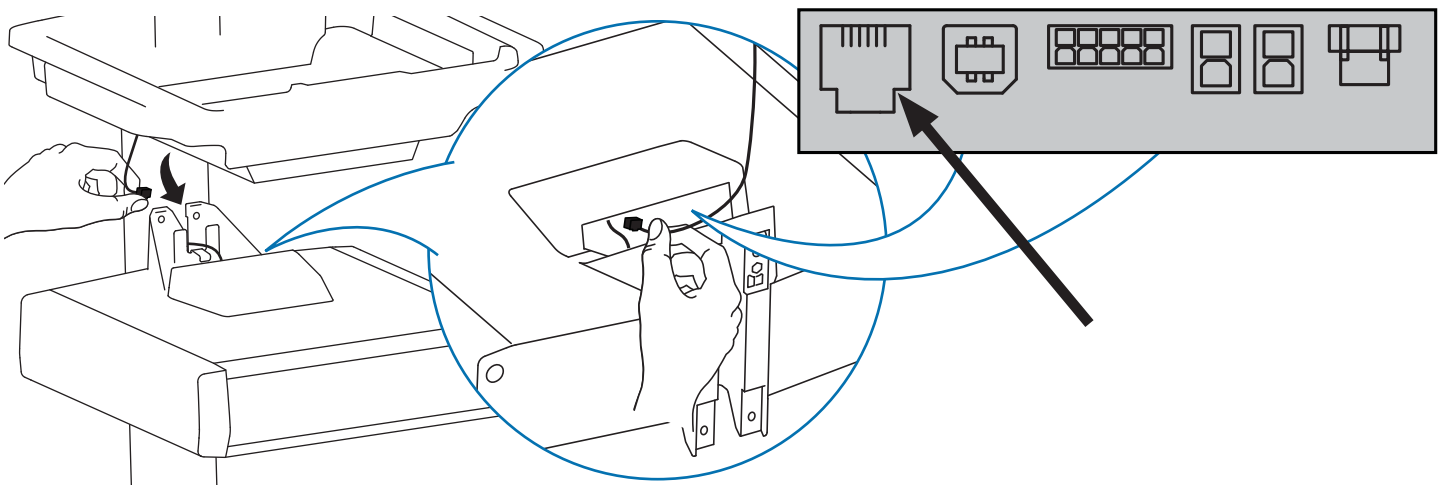
Laptop Carts

or

LCD Carts

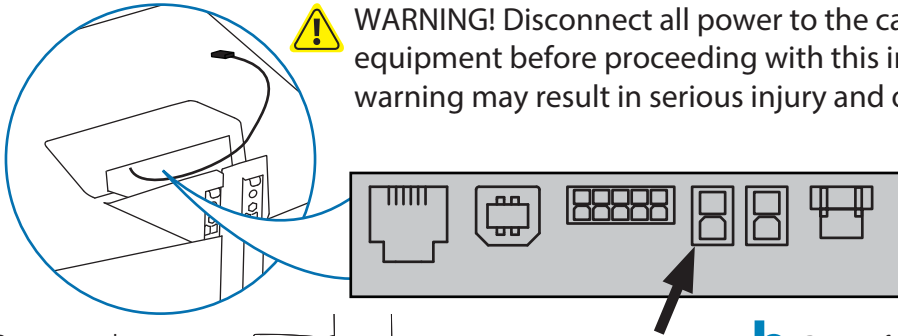


8 Plug the keypad's cable into the drawer controller.

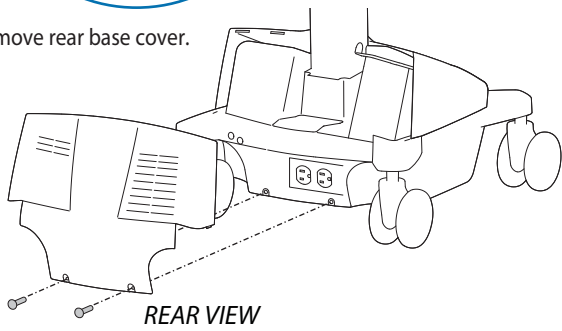


9 Route drawer power cable into base for Powered Carts Only

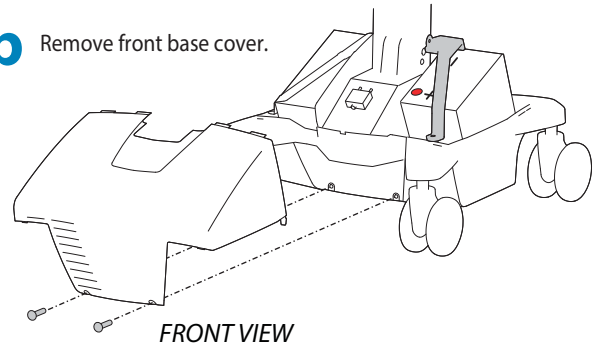
WARNING! Disconnect all power to the cart and turn off all mounted equipment before proceeding with this installation. Failure to follow this warning may result in serious injury and or equipment damage.



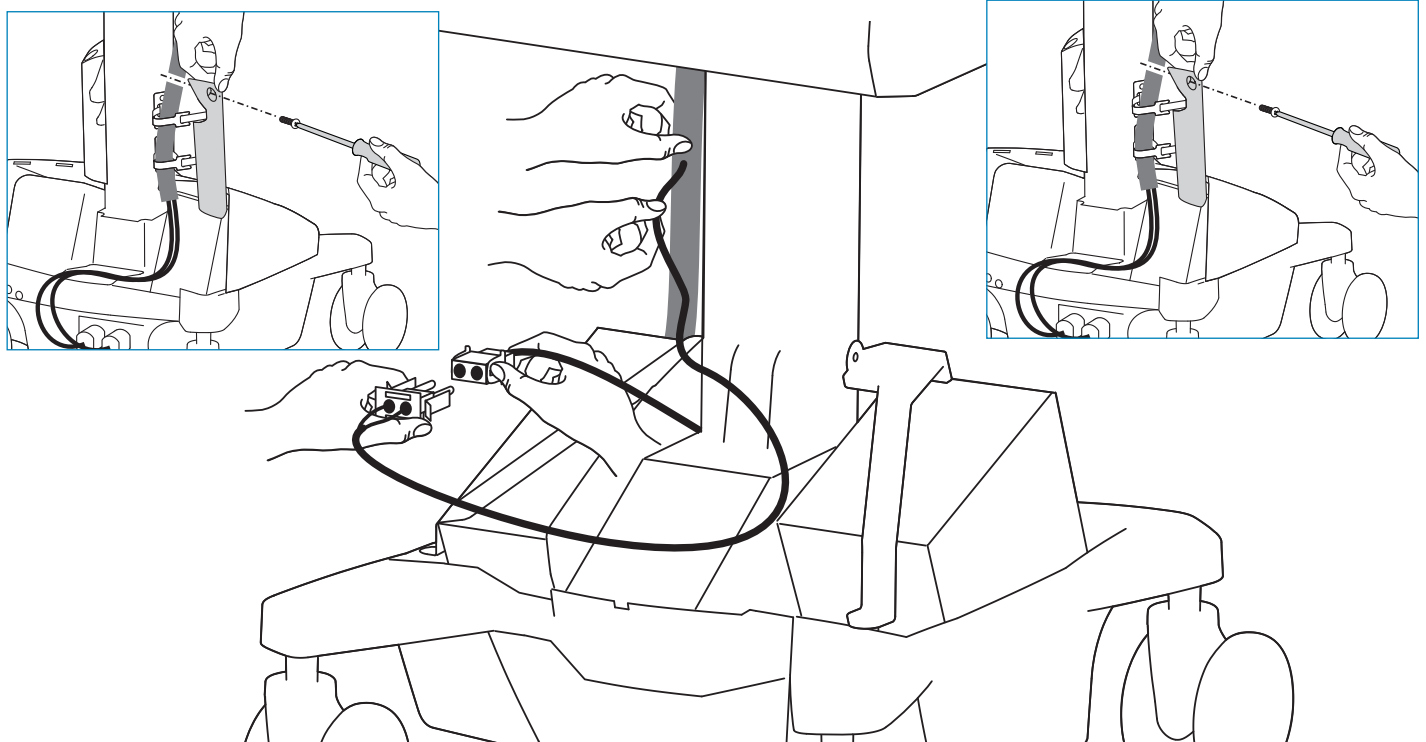
a Remove rear base cover.



b Remove front base cover.

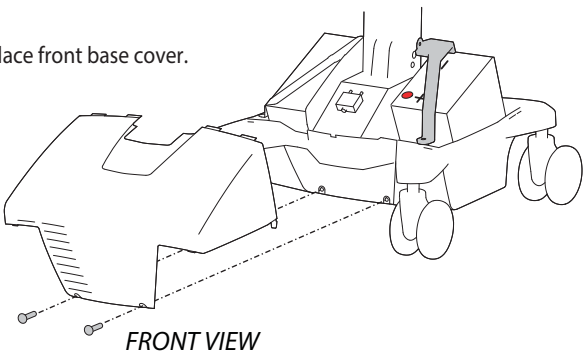


c Remove cable management cover and route drawer power cable down into base and connect to power system.

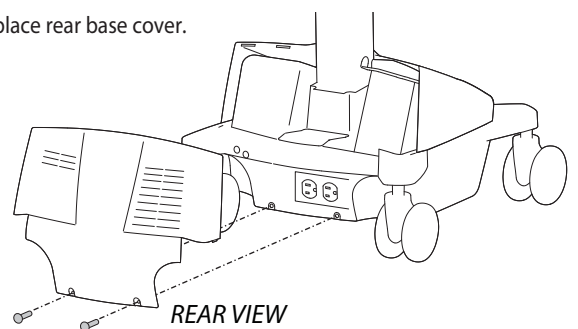


d Reattach cable management cover.


e Replace front base cover.

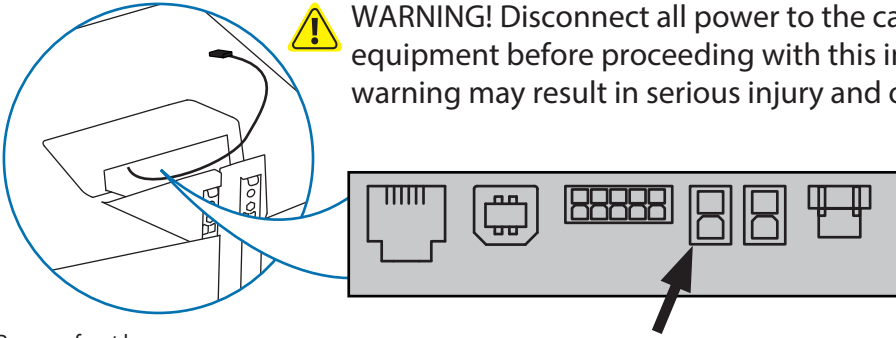


f Replace rear base cover.

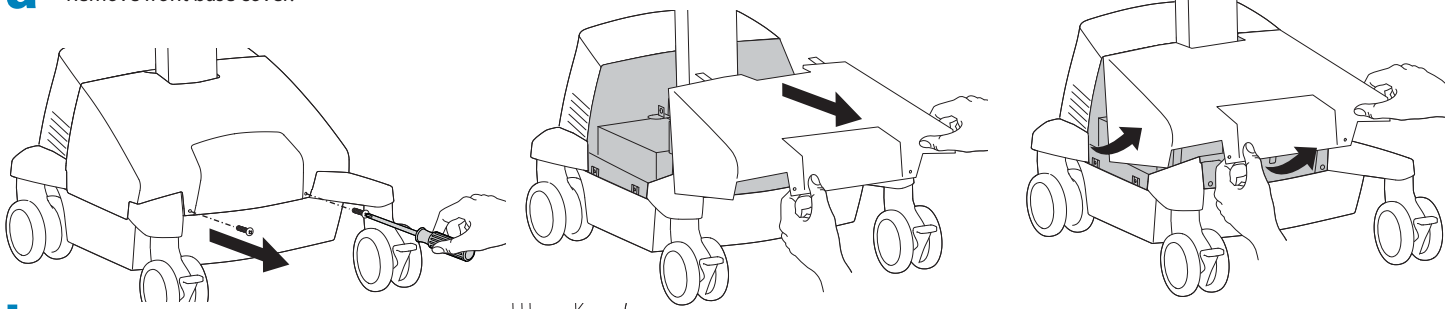


9 Route drawer power cable into base for Powered Carts Only

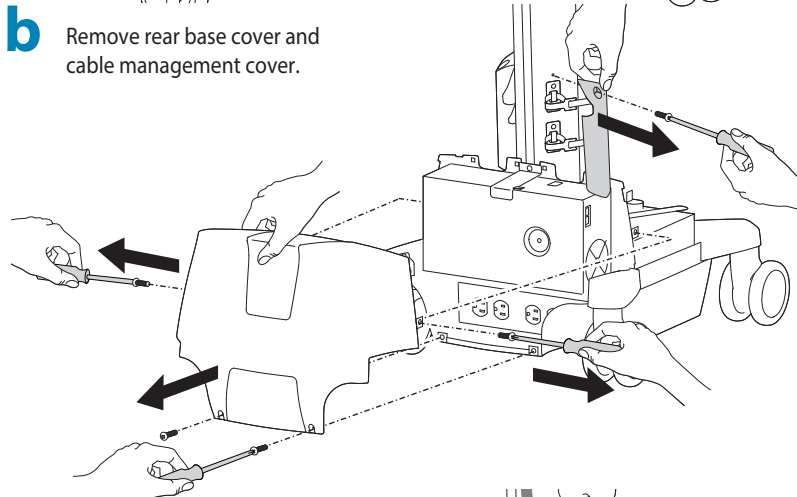
 **WARNING!** Disconnect all power to the cart and turn off all mounted equipment before proceeding with this installation. Failure to follow this warning may result in serious injury and or equipment damage.



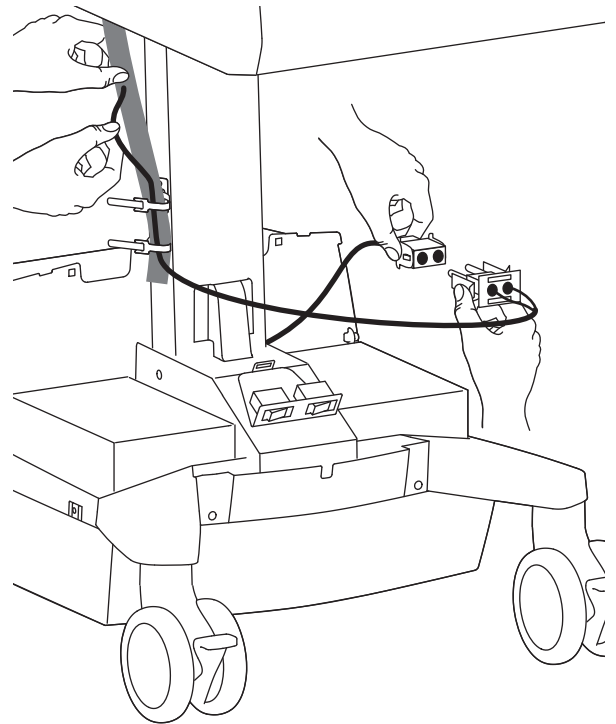
a Remove front base cover.



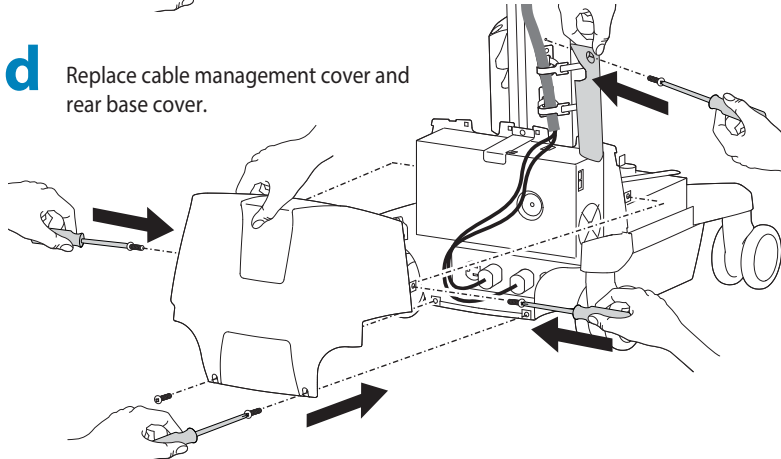
b Remove rear base cover and cable management cover.



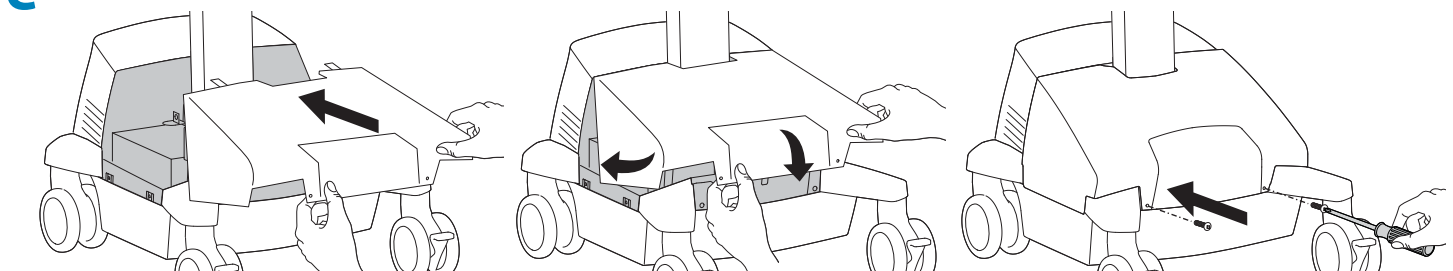
c Route drawer power cable down into base and connect to power system.



d Replace cable management cover and rear base cover.

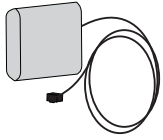


e Replace front base cover.



Non-Powered Carts

9

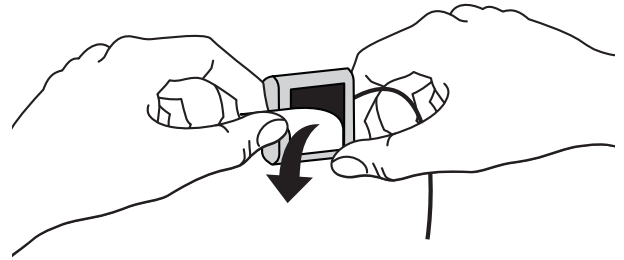
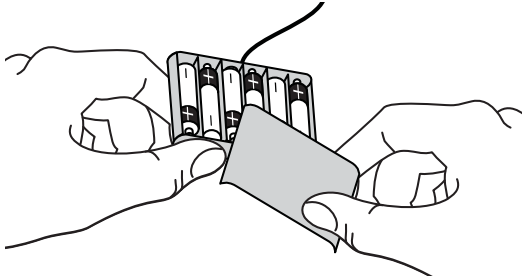


How To Attach Battery Pack for Non-Powered Carts Only

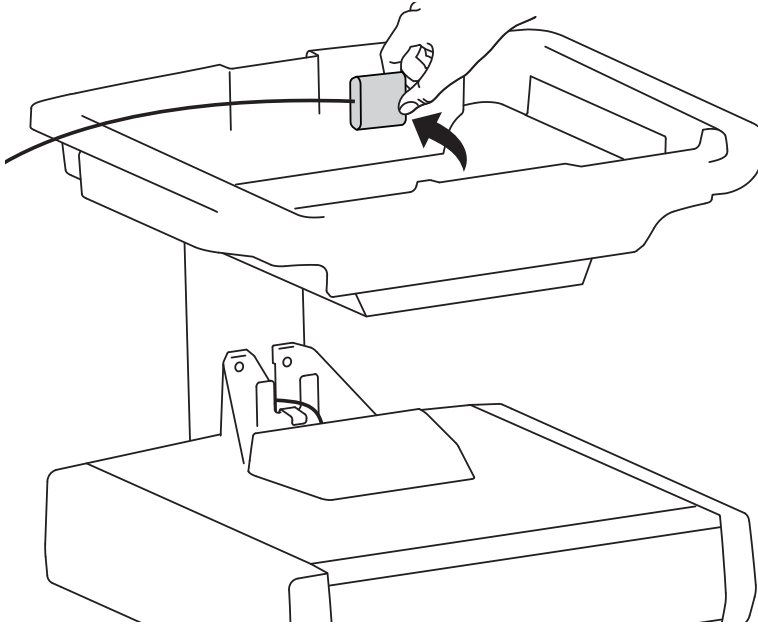
6x AA Rechargeable Nickel Metal Hydride

WARNING! Only use NiMh rechargeable batteries. Using any other types of batteries may cause them to leak, rupture, or explode causing personal injury or equipment damage.

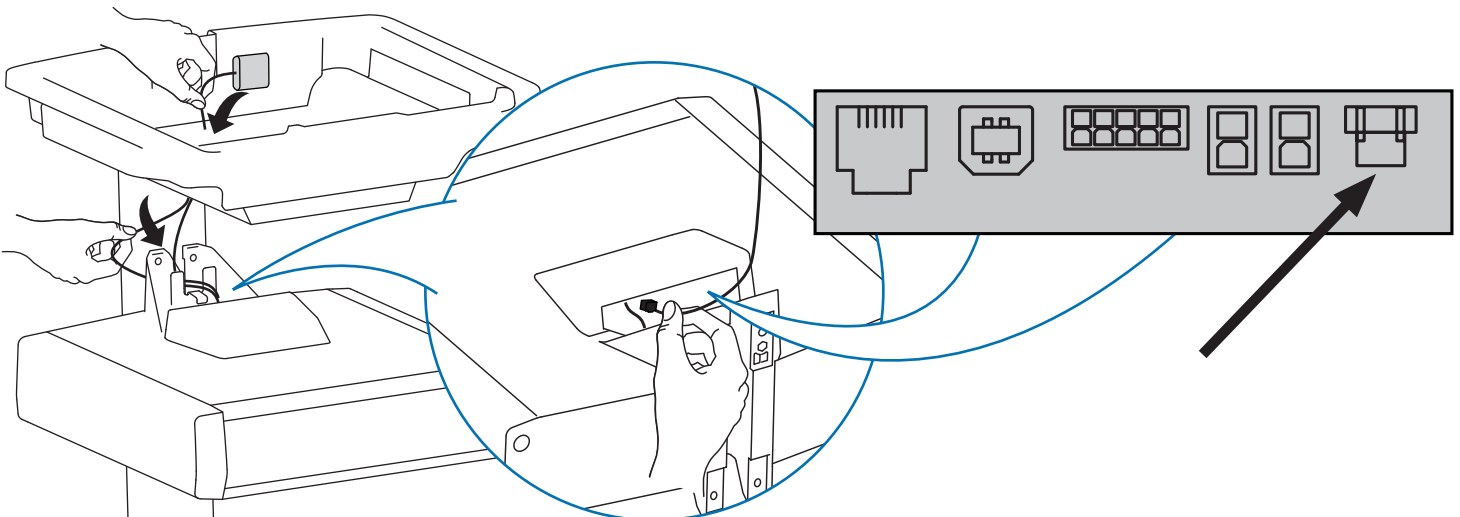
a Make sure all 6 batteries are in the drawer battery pack, then peel off the adhesive backing.



b Attach battery pack in storage area.

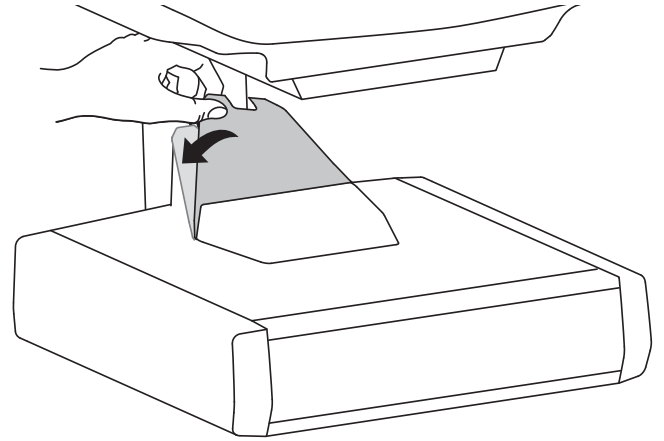
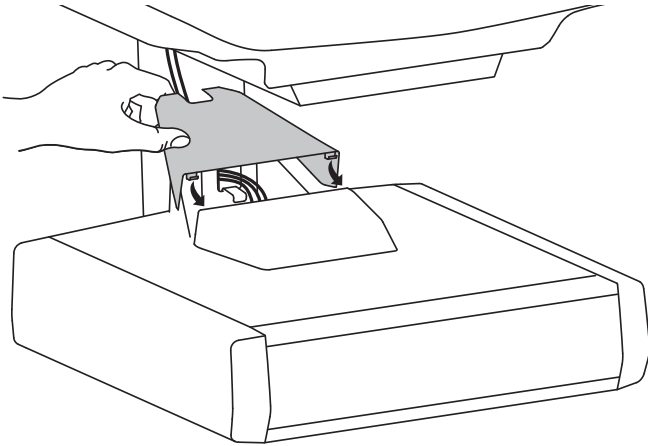


c Route cable down through the bottom of the storage area and plug into the drawer controller.



10

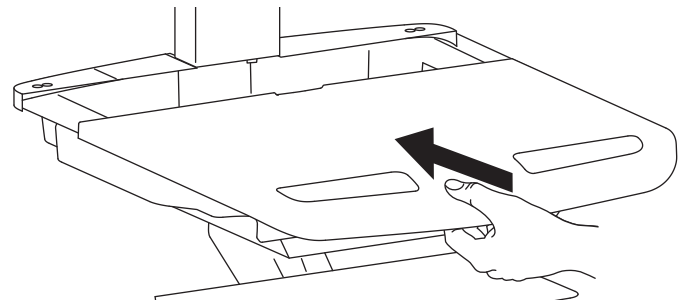
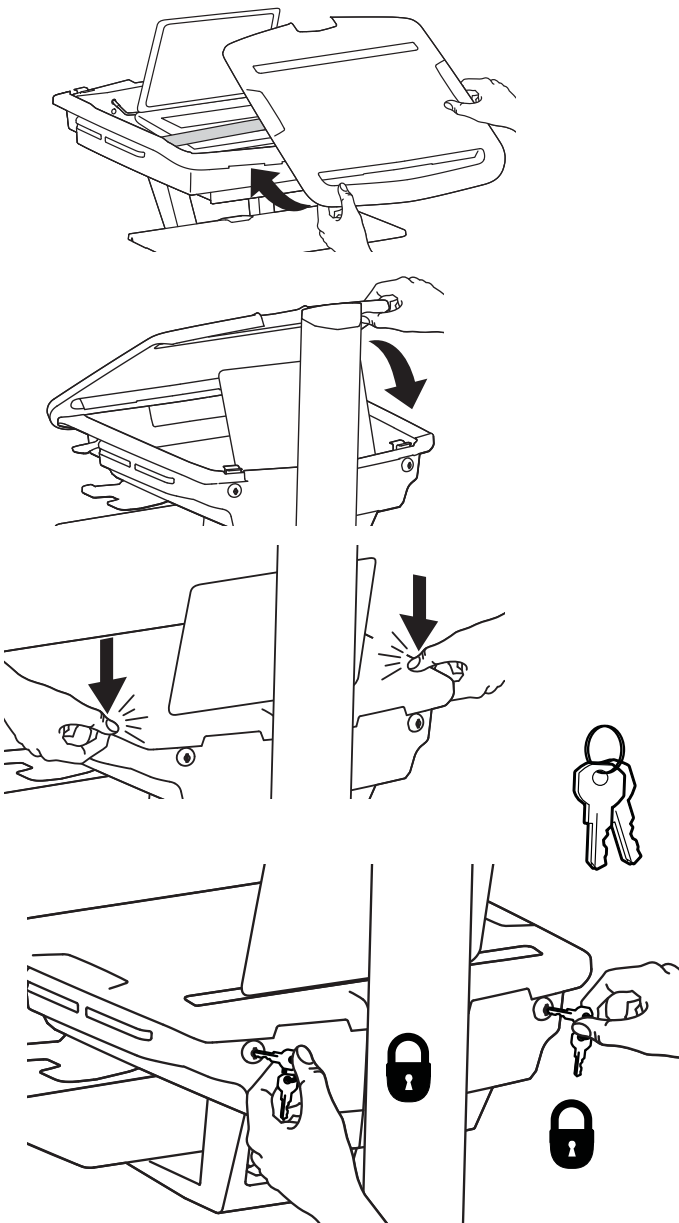
Replace top cover on drawer.



11

Replace worksurface.
Laptop Carts

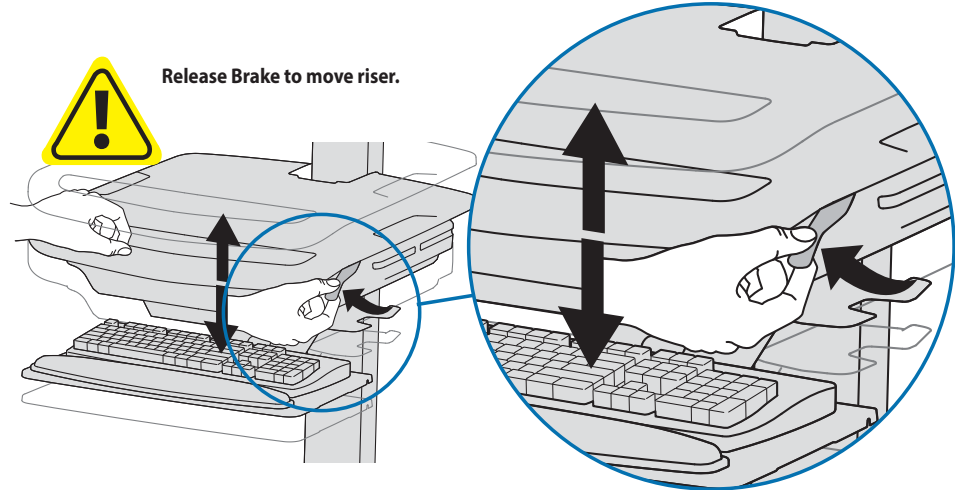
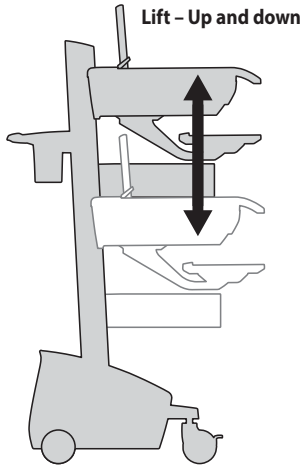
OR **LCD Carts**



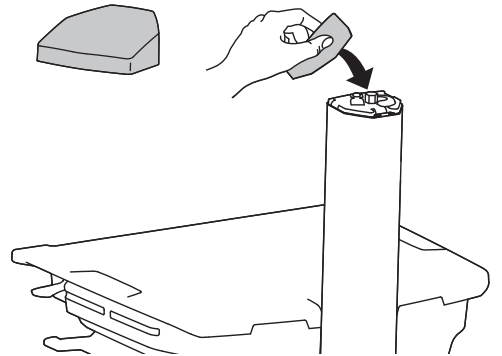
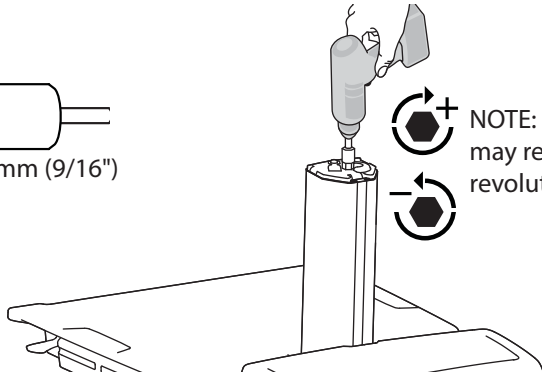
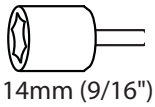
12 Adjustment



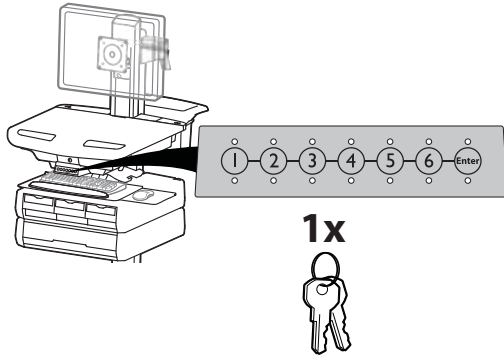
Adjust your mounting solution to handle the added weight. Adjustments should move smoothly and easily through the full range of motion and stay where you set it. If adjustments are difficult and do not stay in the desired position, follow the instructions to loosen or tighten the tension to create a smooth, easy adjustment motion. Depending on your product and the adjustment, it may take several turns to notice a difference.



Follow these instructions to tighten or loosen tension.



13



CAUTION: Open only one drawer at a time. Do Not push cart when drawers are open. Failure to follow these instructions may cause the cart to be unstable.

NOTE: Change Master Personal Identification Number (PIN) upon receipt of cart. A User PIN must be created to open drawers electronically.

Ensure that the main power system batteries are installed and functioning. The power does not need to be turned on at the power system user interface.

User PINs:

Without StyleLink management:

- PINs entered on the cart and not managed by StyleLink may vary in length from 4-7 digits.
- Ergotron recommends the following for choosing PIN digit length (assumes less than 1 in 25 chance of guessing random User PIN):
 - Max number of User PINs >50, 5+digit length recommended
 - Max number of User PINs >300, 6+digit length recommended
- For maximum security use PIN length of 7
- Carts store up to 1,000 PINs.

With StyleLink management:

- Maximum 100 PINs per cart.
- 5 digit PIN length required.

Set-up Master PIN for the First Time (Default Master PIN: 12345)

Contact Ergotron Customer Care for instructions if Master PIN is lost.

1. Enter default Master PIN (1-2-3-4-5) then press ENTER.
2. Press 5 for Master PIN change mode
3. Enter new Master PIN and press Enter (LEDs will blink green if PIN is accepted)
4. Master PIN entry mode will exit after 5 seconds of inactivity (LEDs blink red twice)

Master PIN Mode Menu (NOTE: Master PIN does not open drawers.)

Enter Master PIN and then select one of the below numbers to enter that mode

1. After entering Master PIN, Select 1 to access User PIN Entry Mode
2. After entering Master PIN, Select 2 to access Pharmacy PIN Entry/Change Mode
5. After entering Master PIN, Select 5 to access Master Pin Change Mode
- 6, 1. After entering master PIN, select 6 then select 1 to disable alarm. Repeat process to enable alarm.
- 6, 2. After entering master PIN, select 6 then select 2 to enable bulk unlock mode. This will cause all drawers to open when any user PIN is entered. Repeat process to revert back to default.
- 6, 6, Master PIN, Enter. After entering master PIN, select 6 then select 6 again, then enter Master PIN again, then select Enter. This will reset keypad to the factory default Master PIN as 1, 2, 3, 4, 5, and will also delete all User PINs and Pharmacy PIN.

Lost Master PIN

Contact Ergotron Customer Care for instructions.

Programming User PINs

1. Enter Master PIN and press ENTER for Mode Menu.
 2. Press 1 for User PIN Entry Mode.
 3. Input new User PIN and press ENTER (All LEDs blink green if PIN is accepted). You may enter multiple USER PINs consecutively.
 4. User PIN entry mode will exit after 5 seconds of inactivity (LEDs blink red twice).
- NOTE: User PIN cannot be the same as a Master PIN or Pharmacy PIN. Once maximum User PIN storage is exceeded, the oldest User PIN will be over written.

Programming Pharmacy PIN

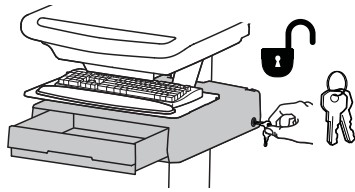
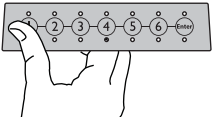
1. Enter Master PIN and press ENTER for Mode Menu
2. Press 2 for Pharmacy PIN Entry Mode
3. Input Pharmacy PIN and press ENTER (all LEDs blink green in PIN is accepted).
4. Pharmacy PIN entry mode will exit after 5 seconds of inactivity (LEDs blink red twice).

Note: System will hold 1 Pharmacy PIN. Pharmacy PIN allows all drawers to unlock at the same time. Drawers should then be opened at least slightly as the system will auto-lock after 15 seconds. All LEDs will flash green until system auto-locks. Once a drawer is opened the corresponding LED for that row will light solid until it is placed back into its original location.

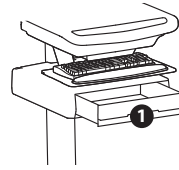
If drawers are removed from cart for filling, they must be replaced in the same configuration per row. If they are not, power must be removed and reapplied so that the drawer system reconfigures itself.

Unlock Drawer (2 methods): NOTE: All Drawers in row must be closed before a new row can be unlocked.

- Enter User PIN and press ENTER (only numbers for available drawer rows flash green), then press desired drawer row number*.
- Key - turn clockwise 1/4 turn



*Drawer Row Numbers:



Lock Drawer:

- Wait 4 seconds for lock to engage automatically.

NOTE: Always ensure drawer is pushed in all the way and engaged with lock.

Drawer Troubleshooting

- No LEDs on keypad when pressing any number:
 - Verify DC cable is connected from cart battery harness to controller.
 - Verify keypad cable is connected to controller.
 - Verify circuit breakers are not tripped and 5A fuse is installed in battery harness.
- Drawer selection not available when User PIN is entered:
 - Check to make sure drawer cable is installed securely.
 - Remove power from drawer system for 10 seconds and re-apply.
- LEDs flash red/green after User PIN is entered:
 - Battery charge is low, check to make sure USB charging cable is plugged into computer and computer is ON.

LEDs/Alarm Meaning:

1,2,3,4, or 5 LED ON green: Corresponding Drawer is open.

1,2,3,4, or 5 LED flashing red and alarm sounding: Corresponding Drawer is open longer than 20 seconds. Mute alarm by pressing flashing button corresponding to open drawer.

All available drawer numbers flashing green: Waiting for drawer selection (see Unlock Drawer).

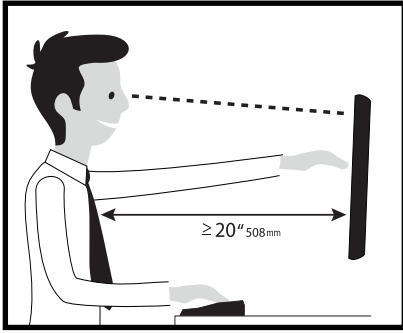
All LEDs blink red twice: PIN entry rejected/exit current mode after 5 seconds timeout.

All LEDs blink green 3 times: PIN entry accepted.

All LEDs flashing red: No drawers connected to controller, check cable.

All LEDs flashing red/green: System power ON or low battery condition.

One or more LEDs flashing red 8 times: Invalid drawer configuration for corresponding drawer row(s). Verify drawers are installed correctly and remove and reapply power.



Learn more about ergonomic computer use at: www.ergotron.com/ergonomics

ergotron®

For Warranty visit: www.ergotron.com/warranty

For Service visit: www.ergotron.com

For local customer care phone numbers visit: <http://contact.ergotron.com>

www.ergotron.com | USA: 1-800-888-8458 | Europe: +31 (0)33-45 45 600 | China: 400-120-3051 | Japan: japansupport@ergotron.com

© 2015 Ergotron, Inc. All rights reserved.

While Ergotron, Inc. makes every effort to provide accurate and complete information on the installation and use of its products, it will not be held liable for any editorial errors or omissions (including those made in the process of translation from English to another language), or for incidental, special or consequential damages of any nature resulting from furnishing this instruction and performance of equipment in connection with this instruction. Ergotron, Inc. reserves the right to make changes in the product design and/or product documentation without notification to its users. For the most current product information, or to know if this document is available in languages other than those herein, please contact Ergotron. No part of this publication may be reproduced, stored in a retrieval system, or transmitted in any form or by any means, electronic, mechanical, photocopying, recording or otherwise without the prior written consent of Ergotron, Inc., 1181 Trapp Road, Eagan, Minnesota, 55121, USA Patents Pending and Patented U.S. & Foreign. Ergotron is a registered trademark of Ergotron, Inc.