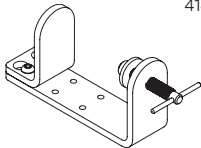
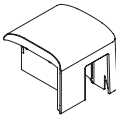
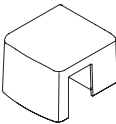

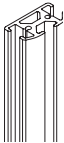
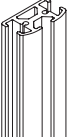
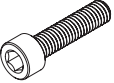
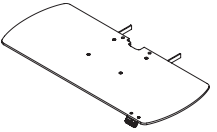

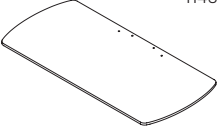


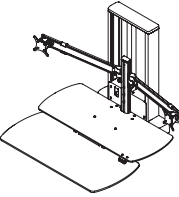
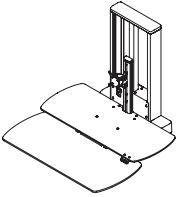
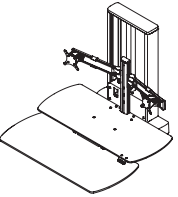
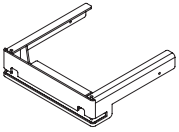
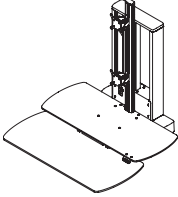
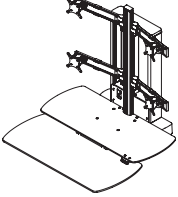
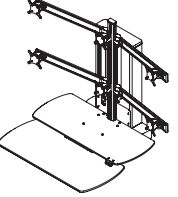
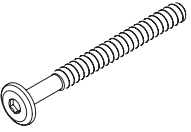
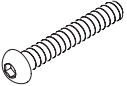


PARTS LIST

	1TCH-1	1TCH-2	1TCH-3	1TCH-1/1	1TCH-2/2	1TCH-3/3
A  Clamp Mount 414717	2x	2x	2x	2x	2x	2x
B  Left Cap 114696L	1x	1x	1x	1x	1x	1x
C  Right Cap 114696R	1x	1x	1x	1x	1x	1x
D  Cap Door 115060	2x	2x	2x	2x	2x	2x
E  Single Tier Column 115160-16	1x	1x	1x	-	-	-

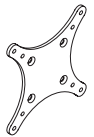
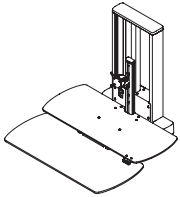
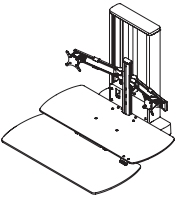
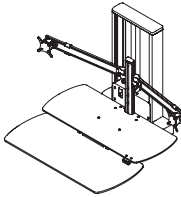
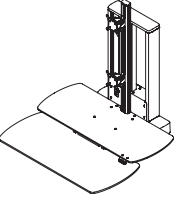
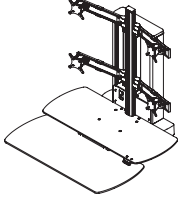
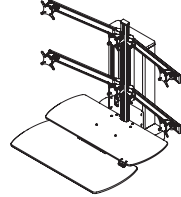
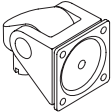
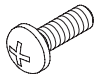
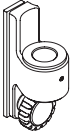
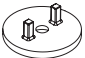
PARTS LIST CONTINUED

	1TCH-1	1TCH-2	1TCH-3	1TCH-1/1	1TCH-2/2	1TCH-3/3
F  Dual Tier Column 115160-33	-	-	-	1x	1x	1x
G  M6-1.0 x 28mm SHCS 715498	2x	2x	2x	2x	2x	2x
H  Upper Work Surface 415091	1x	1x	1x	1x	1x	1x
I  M6-1.0 x 20mm FHSCS 715369	2x	2x	2x	2x	2x	2x
J  Lower Work Surface 114679	1x	1x	1x	1x	1x	1x


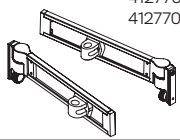
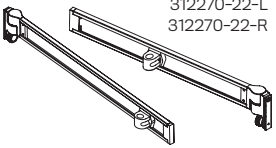
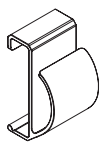
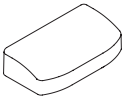
PARTS LIST CONTINUED

	1TCH-1	1TCH-2	1TCH-3	1TCH-1/1	1TCH-2/2	1TCH-3/3
K Lower Work Surface Mount 414763 						
L M6-1.0 x 70mm BHSCS 715368 	1x	1x	1x	1x	1x	1x
M M6-1.0 x 40mm BHSCS 715367 	2x	2x	2x	2x	2x	2x
N M6-1.0 x 14mm BHSCS 715366 	2x	2x	2x	2x	2x	2x
O 10-32 x 3/8" PhFHS 701164 	4x	8x	12x	8x	16x	24x


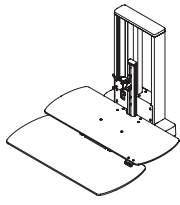
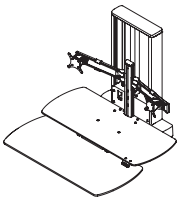
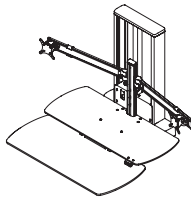
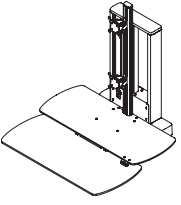
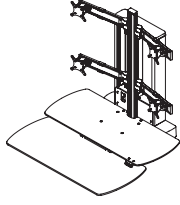
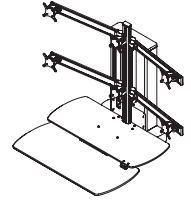

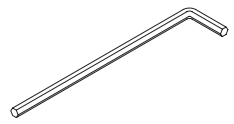
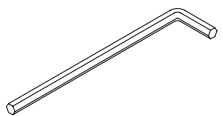
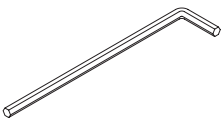
PARTS LIST CONTINUED

	1TCH-1	1TCH-2	1TCH-3	1TCH-1/1	1TCH-2/2	1TCH-3/3
P 75/100mm VESA Adapter 105587 						
	1x	2x	3x	2x	4x	6x
Q Standard Monitor Tilter 405397 	1x	2x	3x	2x	4x	6x
R M4 x 12mm PhPHS 702096 	4x	8x	12x	8x	16x	24x
S Column Mount 412552 	1x	2x	3x	2x	4x	6x
T Dog Washer 111230 	1x	2x	3x	2x	4x	6x

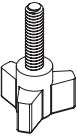
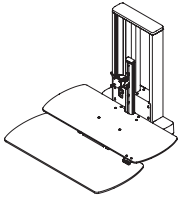
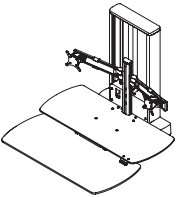
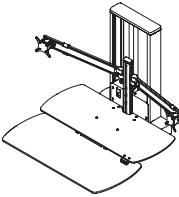
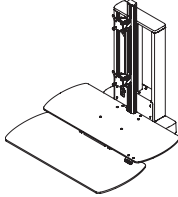
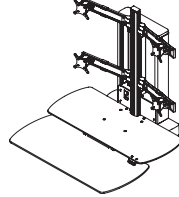
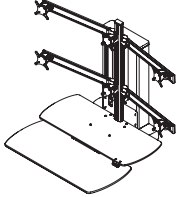

PARTS LIST CONTINUED

	1TCH-1	1TCH-2	1TCH-3	1TCH-1/1	1TCH-2/2	1TCH-3/3
U 10-32 x 1/2" FHSCS 711240 	1x	1x	1x	1x	1x	1x
V Dual Wings 412770-12.5-L 412770-12.5-R 	-	1x	-	-	2x	-
W Triple Wings 312270-22-L 312270-22-R 	-	-	1x	-	-	2x
X Wing Cable Clip 112082 	-	2x	2x	-	4x	4x
Y Column Cap 113496 	1x	1x	1x	1x	1x	1x

PARTS LIST CONTINUED

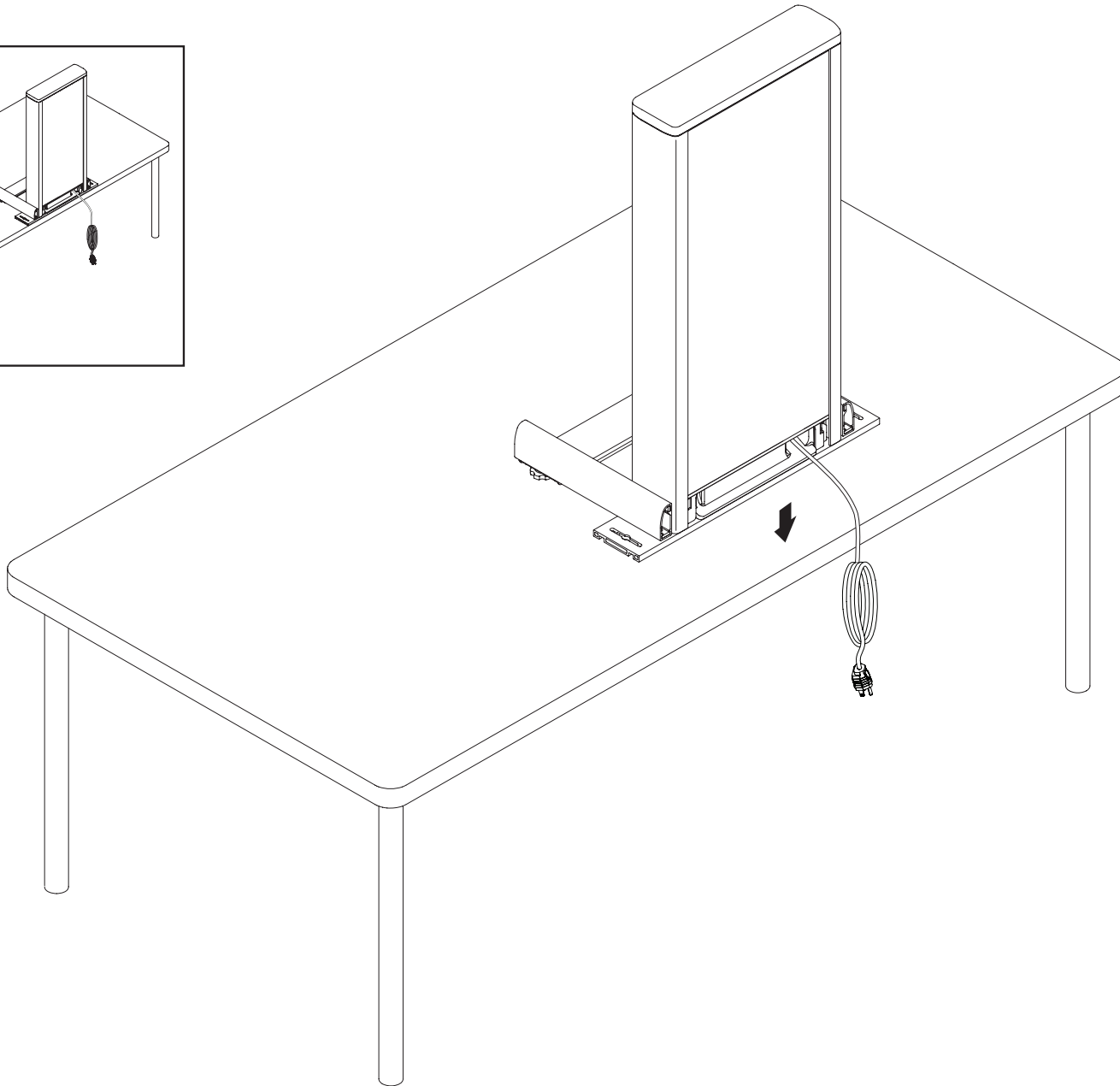
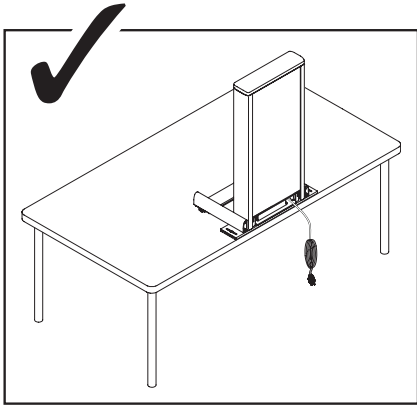
	1TCH-1	1TCH-2	1TCH-3	1TCH-1/1	1TCH-2/2	1TCH-3/3
Z 3/32" Allen Wrench 700146 	 1x	 1x	 1x	 1x	 1x	 1x
AA 1/8" Allen Wrench 701312 	1x	1x	1x	1x	1x	1x
BB 5mm Allen Wrench 710838 	1x	1x	1x	1x	1x	1x
CC 7/32" Allen Wrench 701127 	1x	1x	1x	1x	1x	1x
DD 4mm Allen Wrench 715426 	1x	1x	1x	1x	1x	1x

PARTS LIST CONTINUED

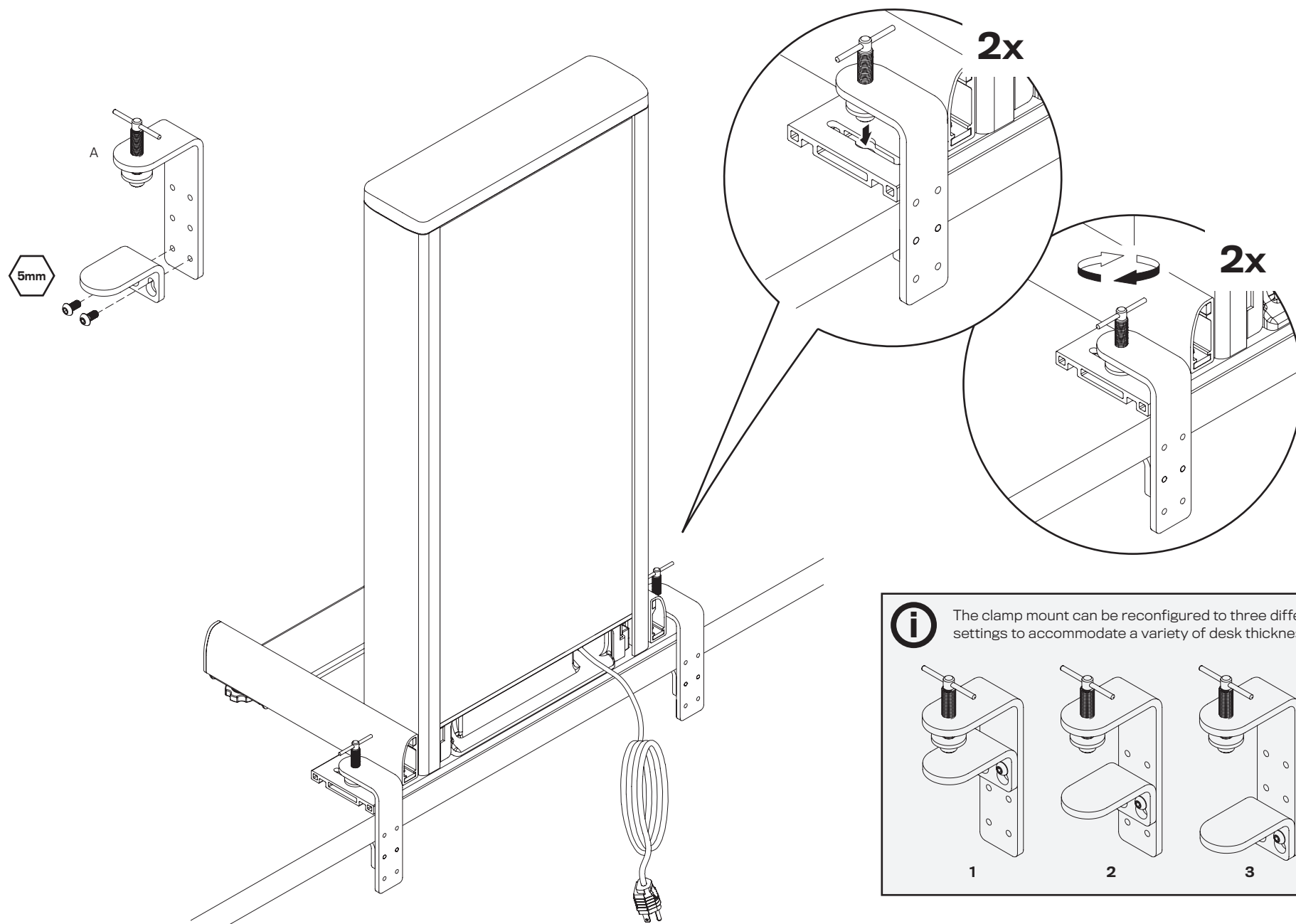
	1TCH-1	1TCH-2	1TCH-3	1TCH-1/1	1TCH-2/2	1TCH-3/3
EE 1/4 -20 x 1" Knob 712779 	 4x	 4x	 4x	 4x	 4x	 4x
FF 1/4-20 Square Nut 712785 	4x	4x	4x	4x	4x	4x

* Thru mount hardware not included.

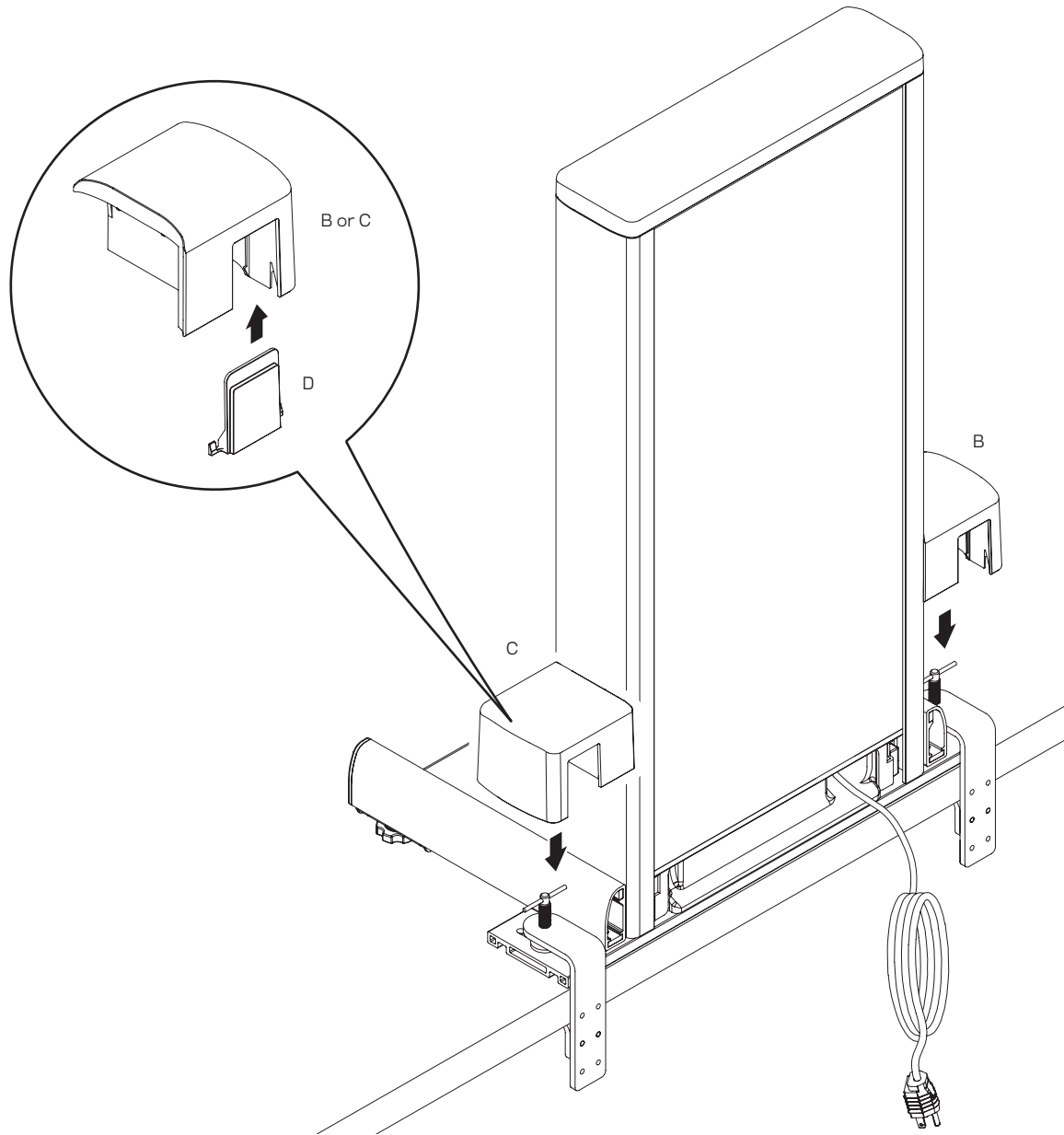
1



2 CLAMP MOUNT CONFIGURATION*

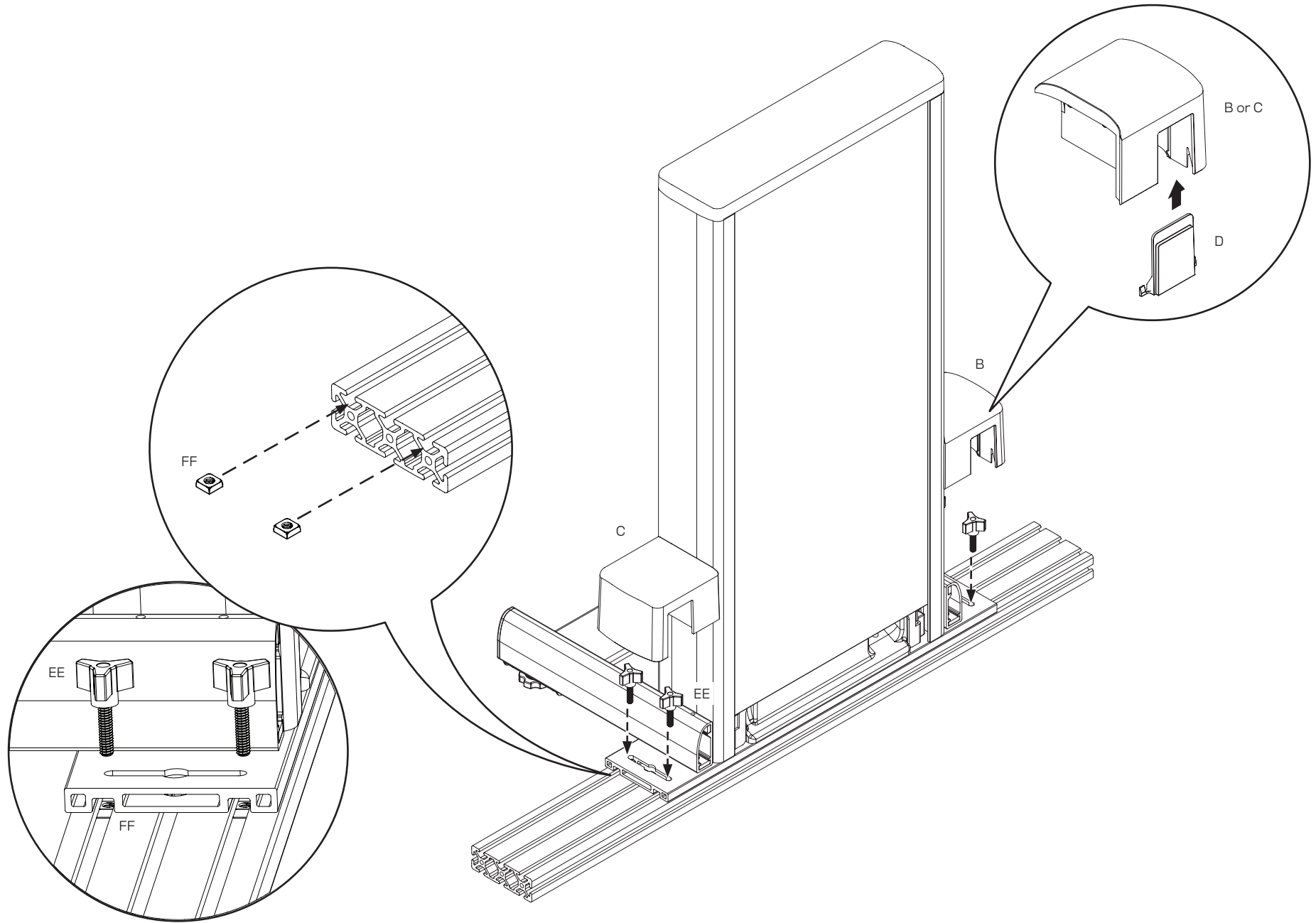


* Thru mount hardware not included.



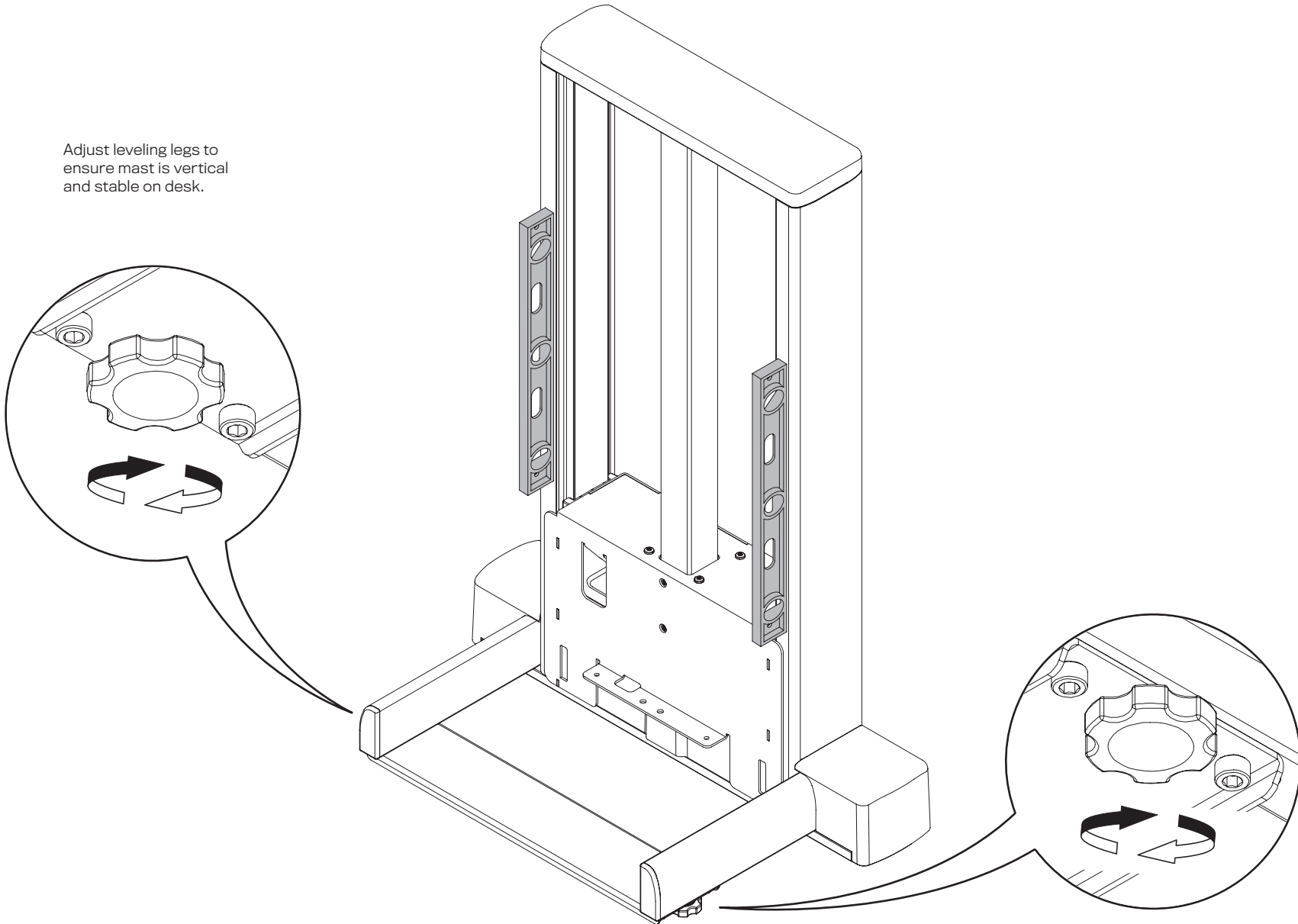
* Thru mount hardware not included.

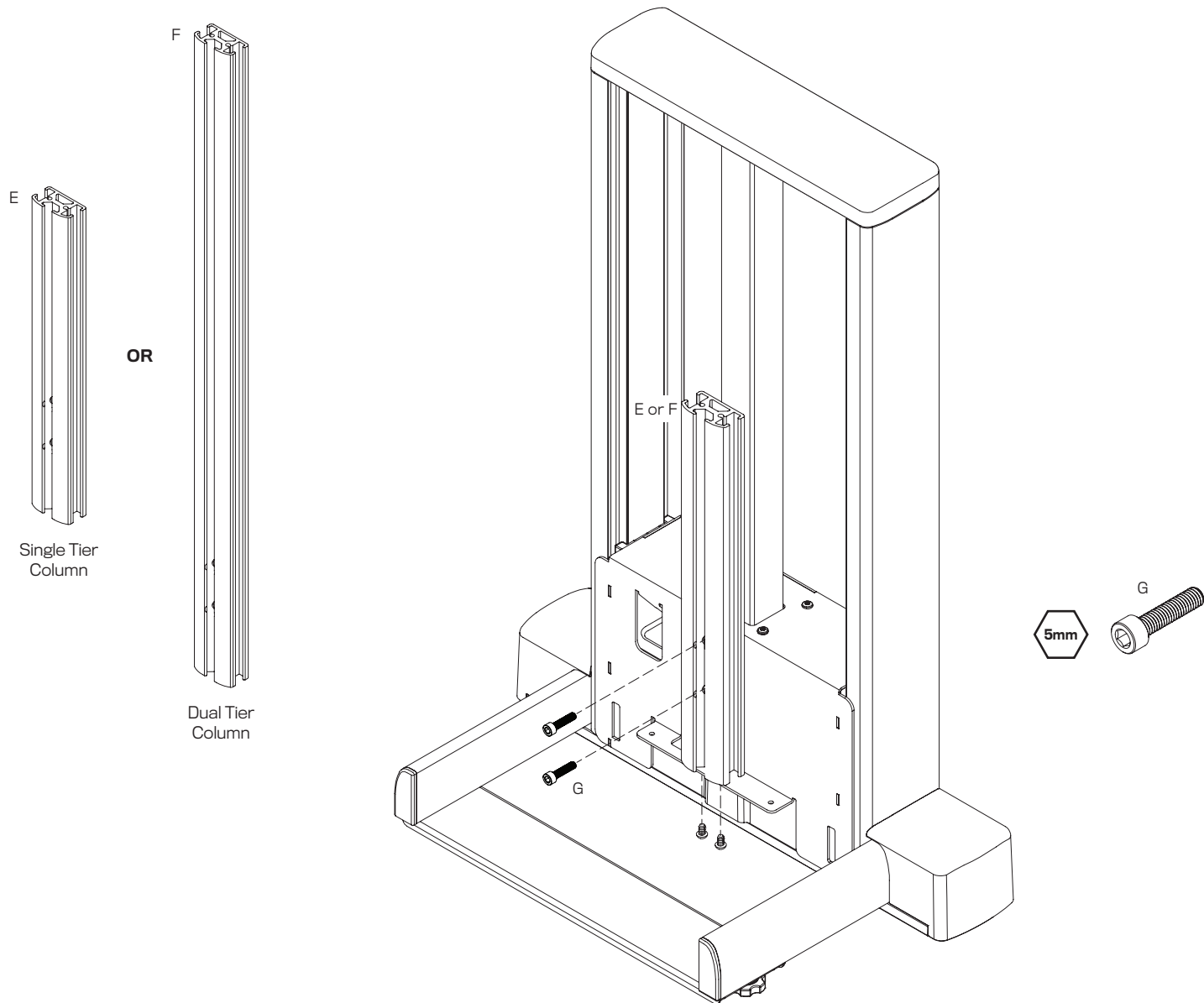
4 RAIL MOUNT CONFIGURATION*

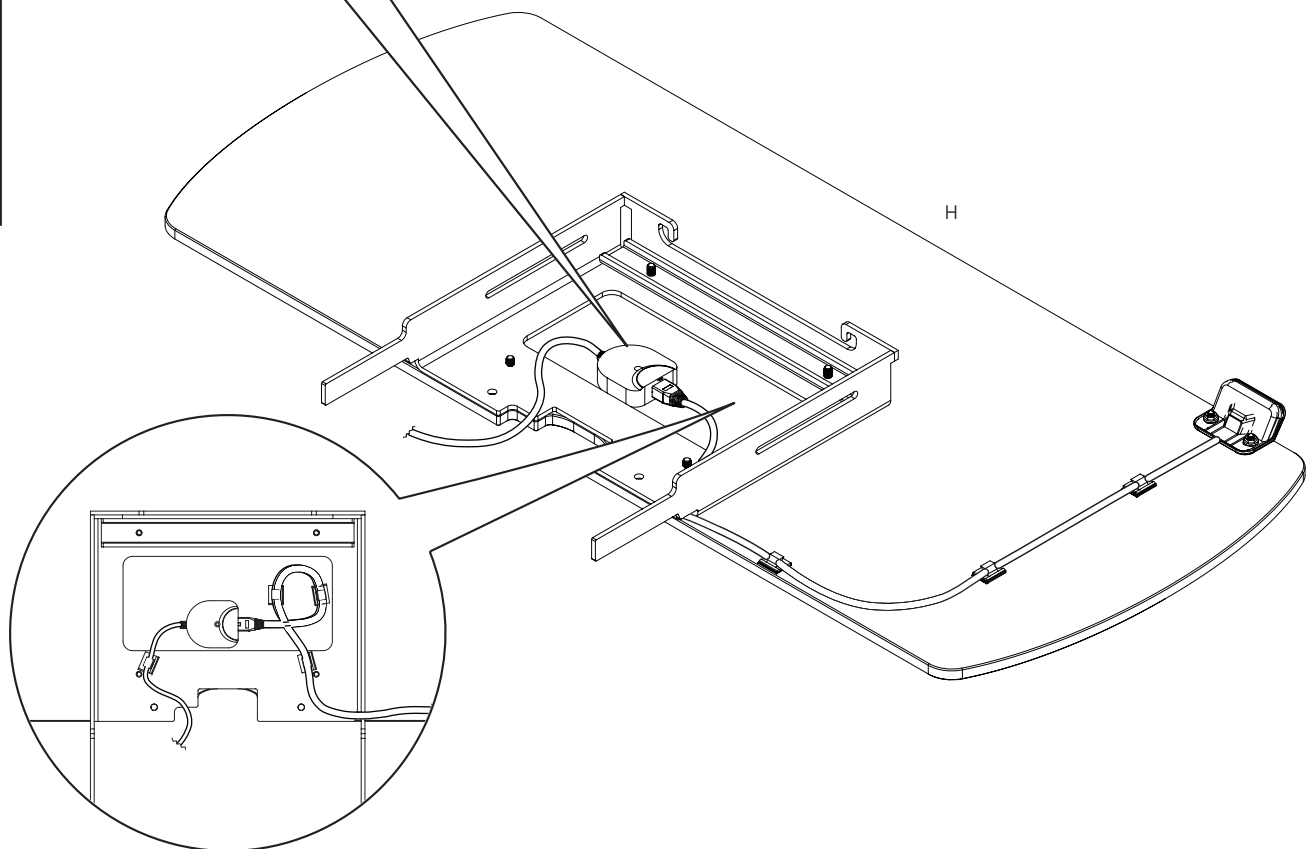
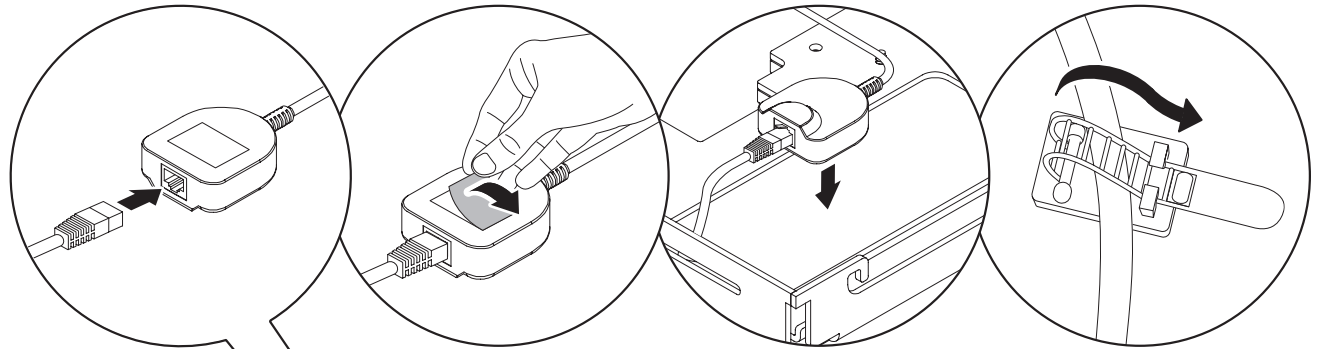
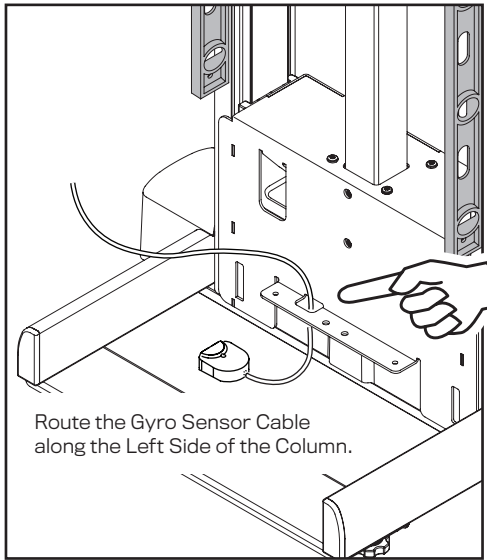


* Thru mount hardware not included.

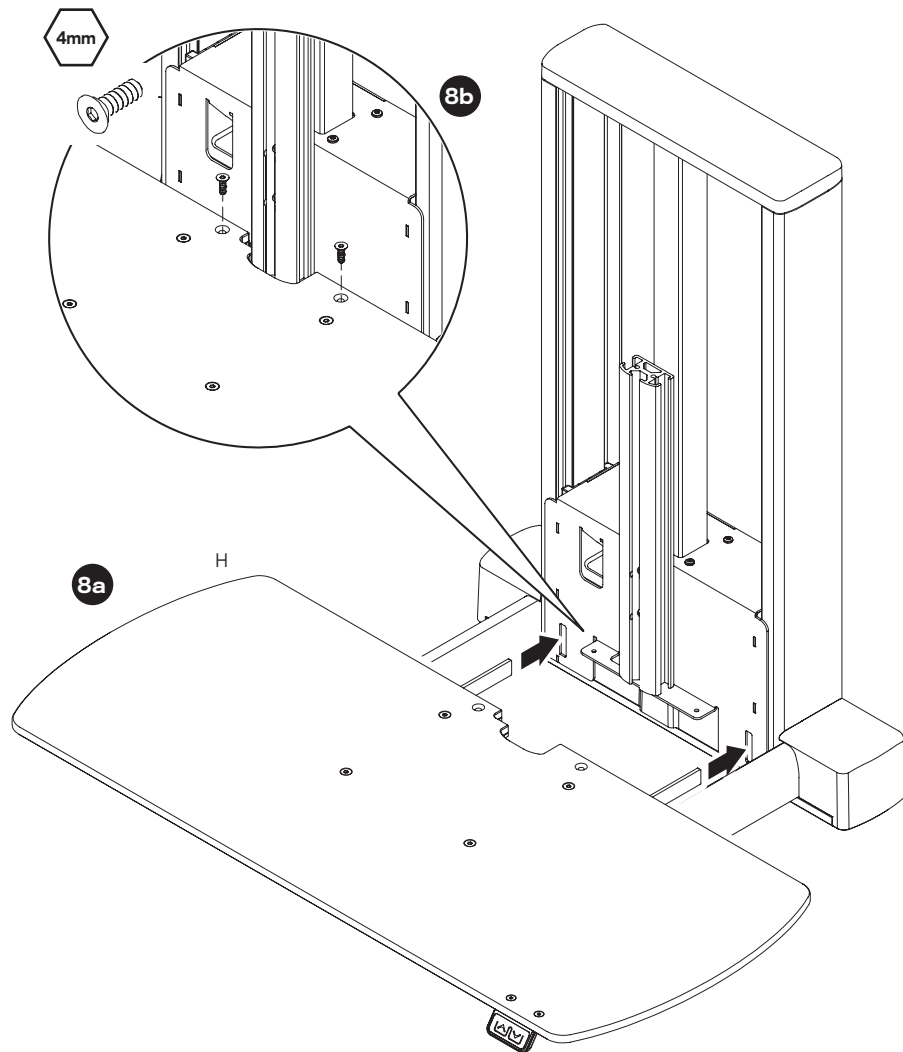
Adjust leveling legs to ensure mast is vertical and stable on desk.



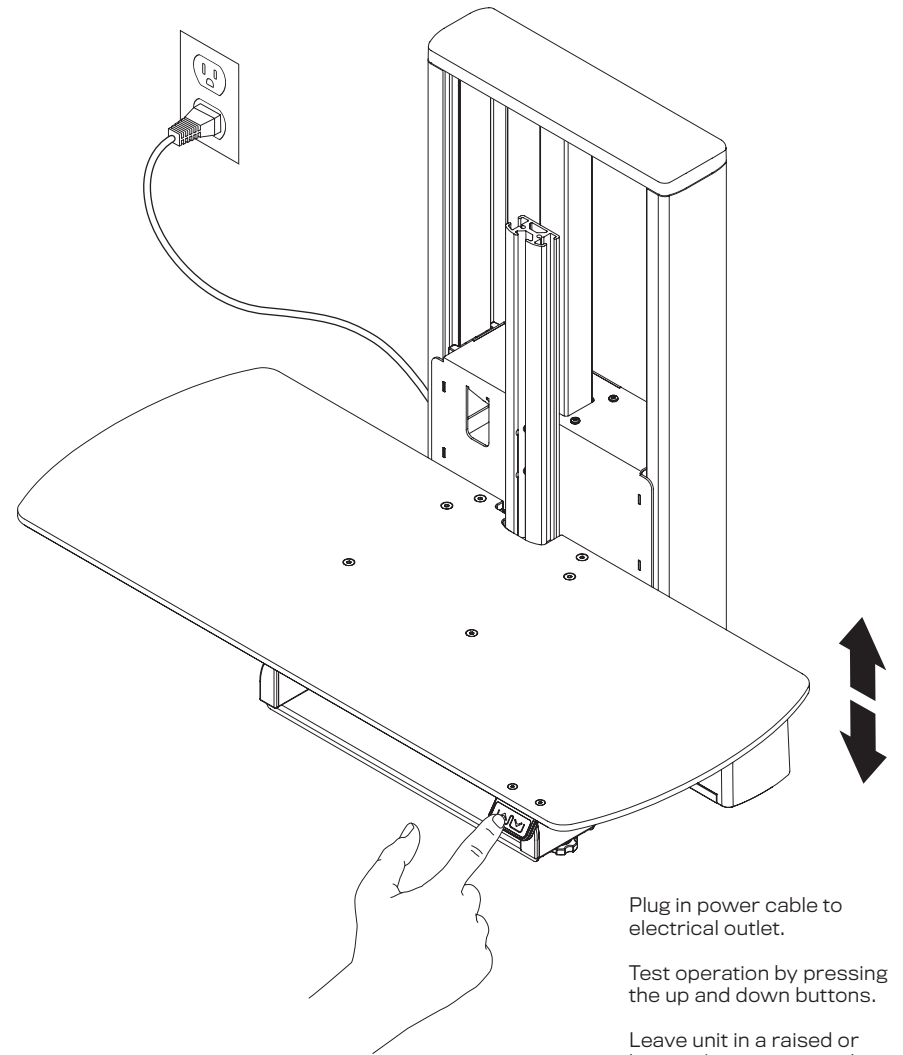




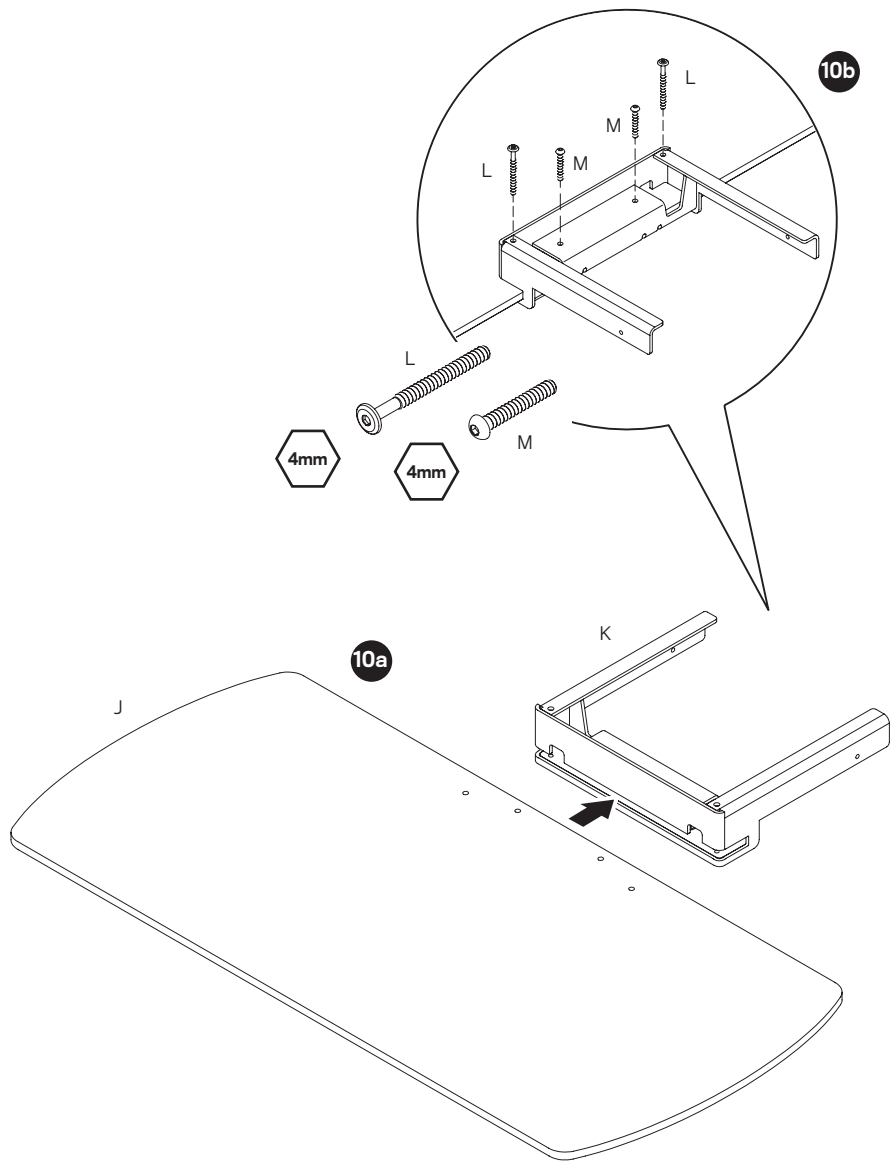
8



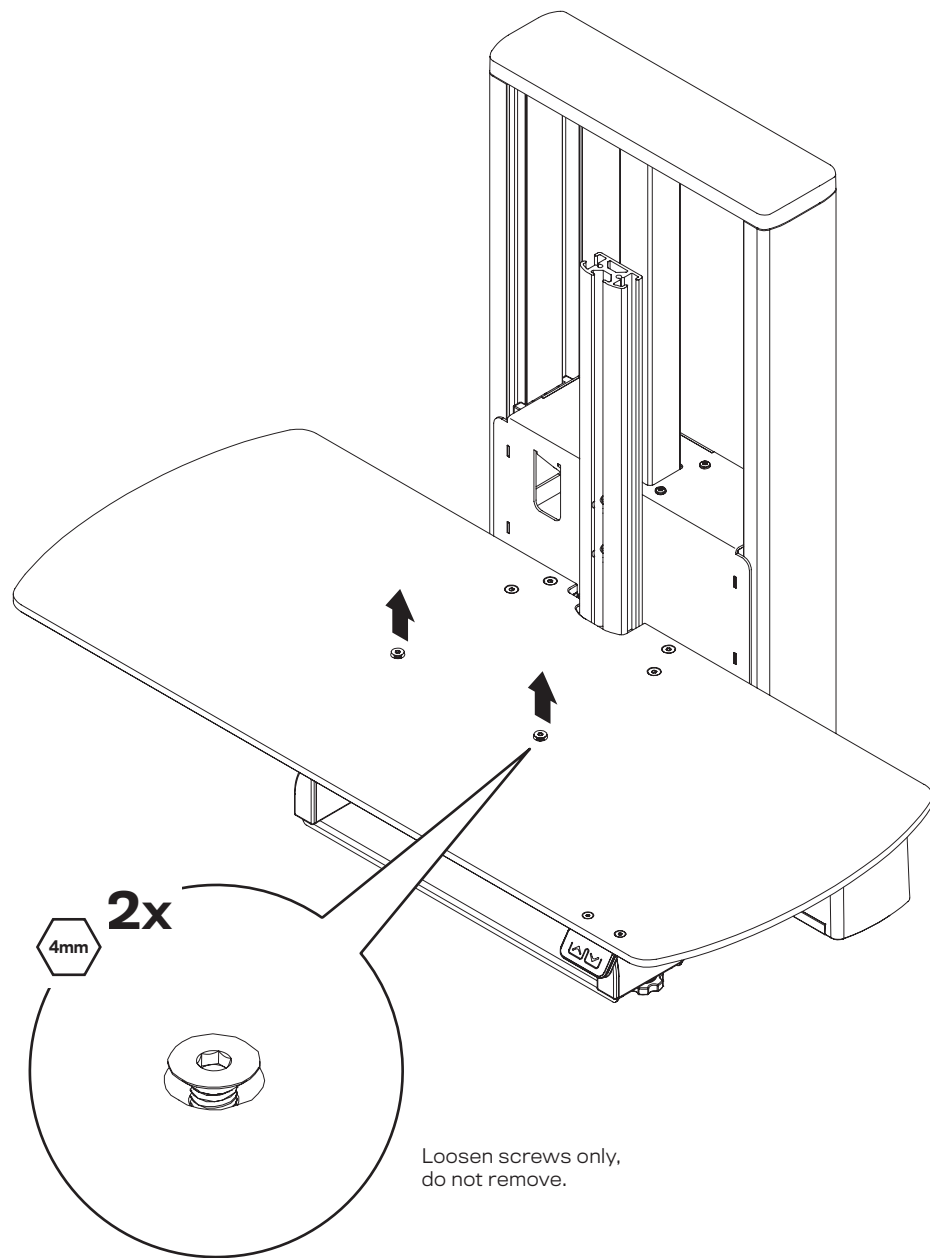
9



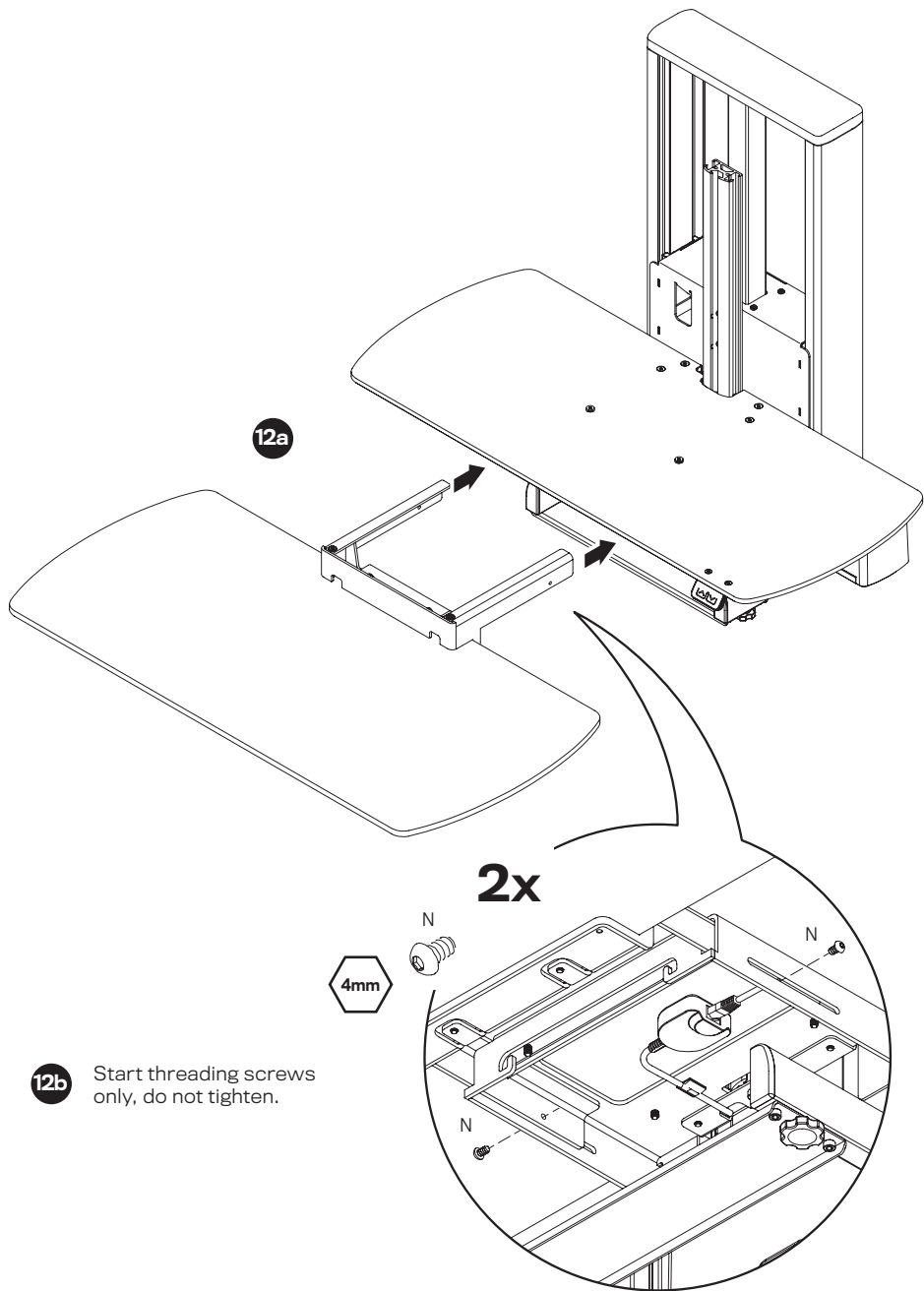
10



11

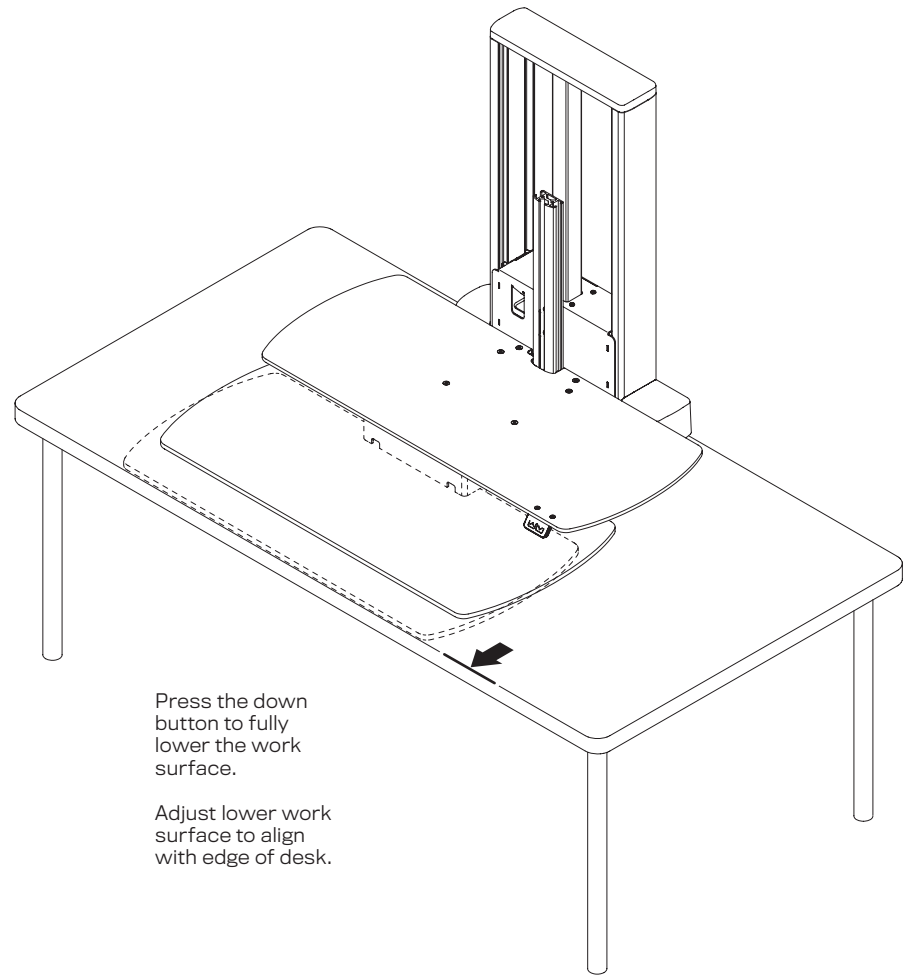


12



12b Start threading screws only, do not tighten.

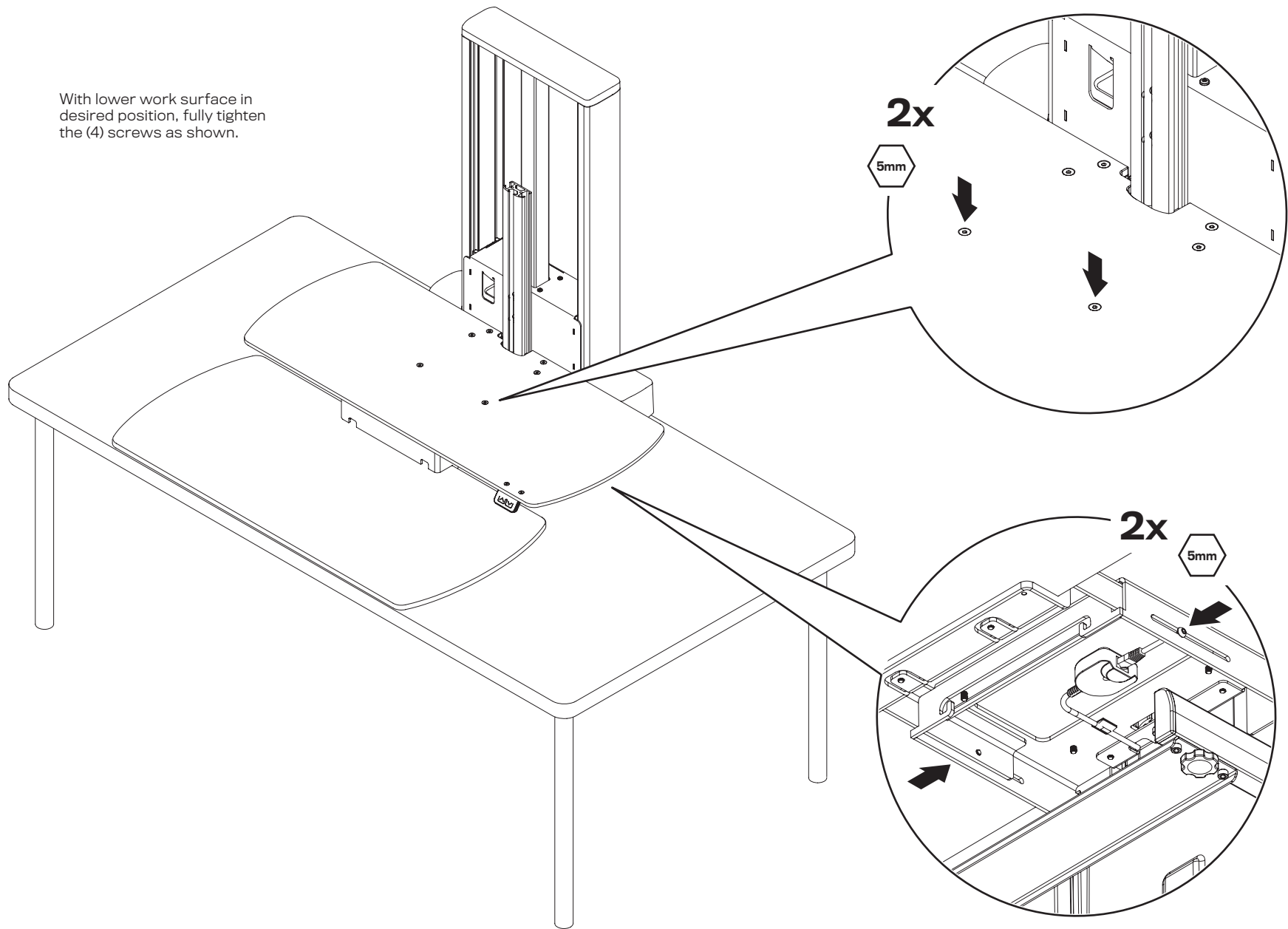
13



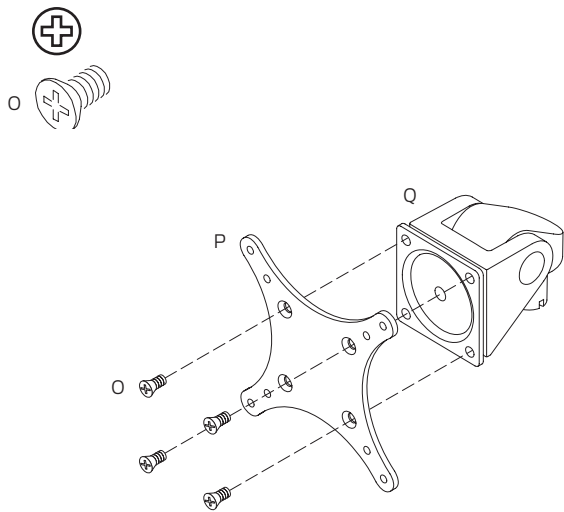
Press the down button to fully lower the work surface.

Adjust lower work surface to align with edge of desk.

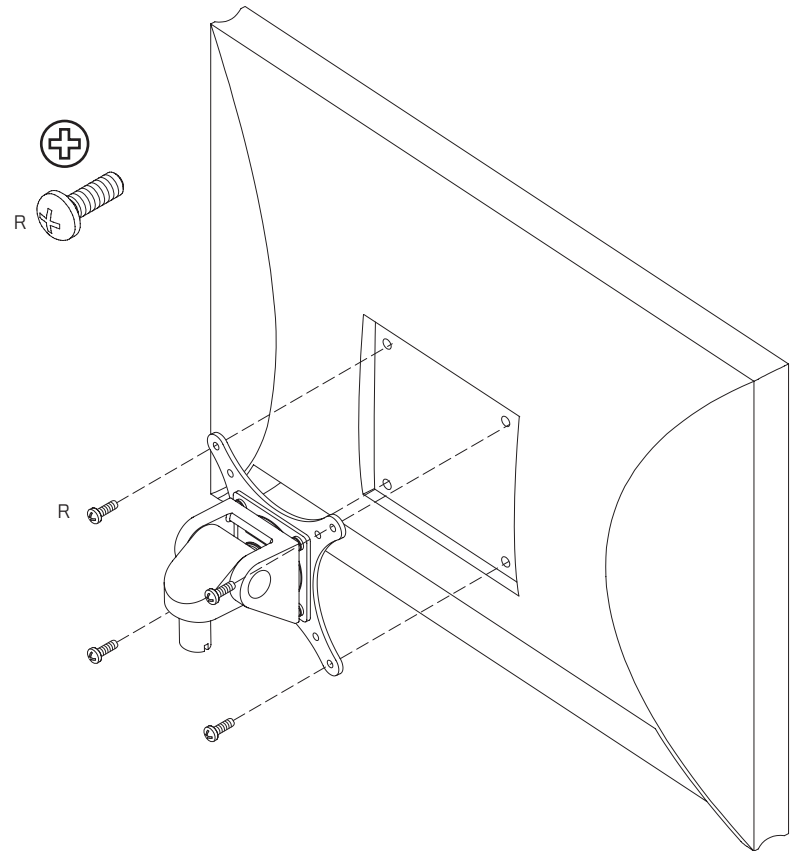
With lower work surface in desired position, fully tighten the (4) screws as shown.



15

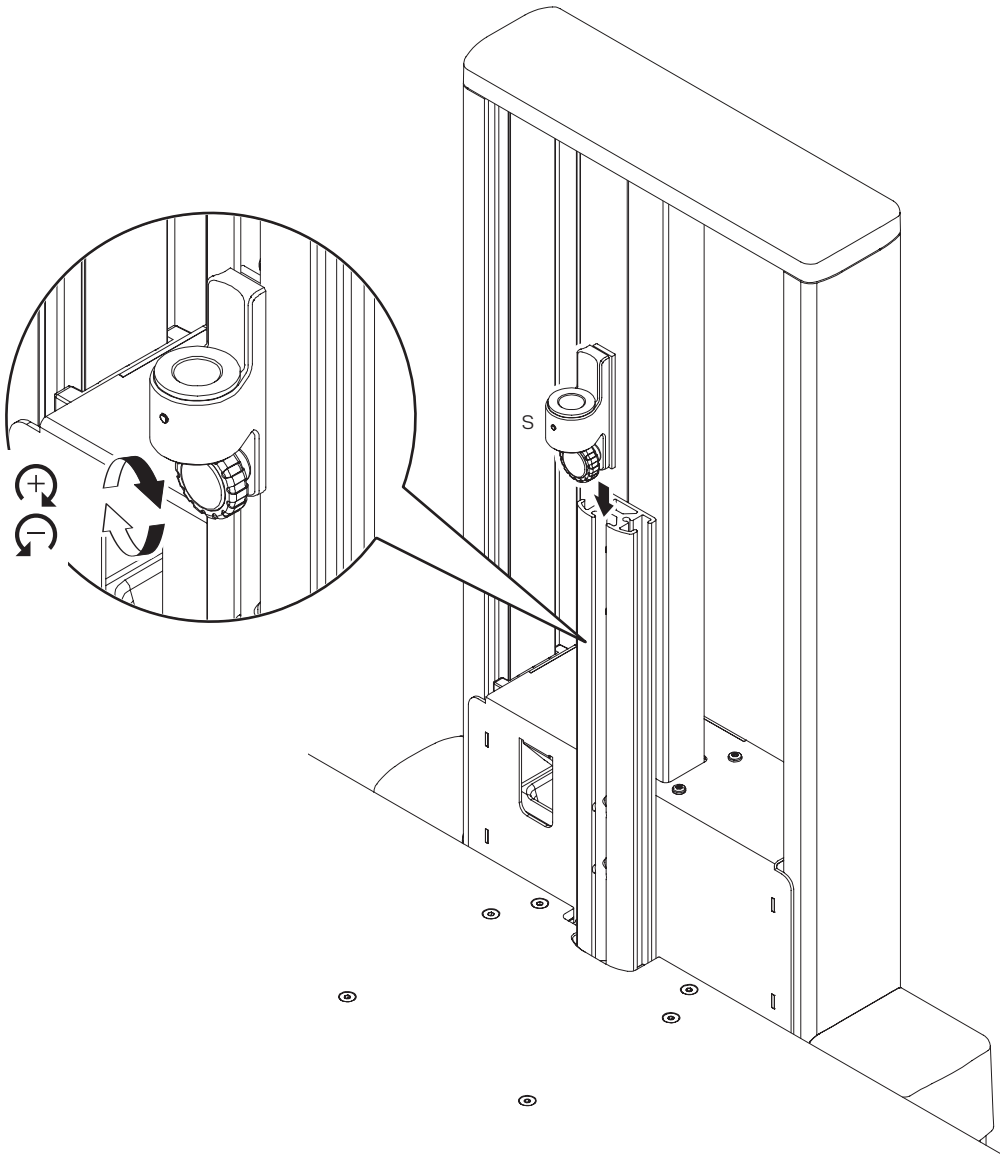


16

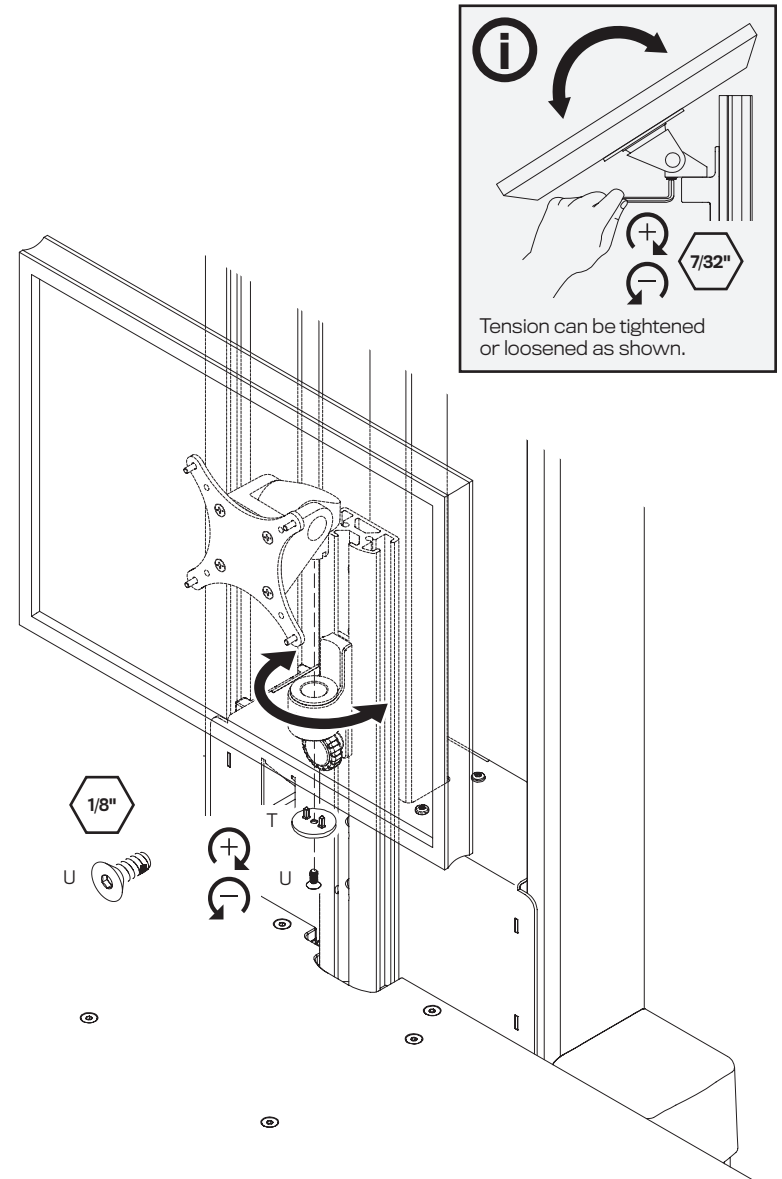


ARE YOU INSTALLING A 1TCH-1, 1TCH-3, 1TCH-1/1, 1TCH-3/3?
IF NOT, PLEASE CONTINUE TO STEP 19.

17

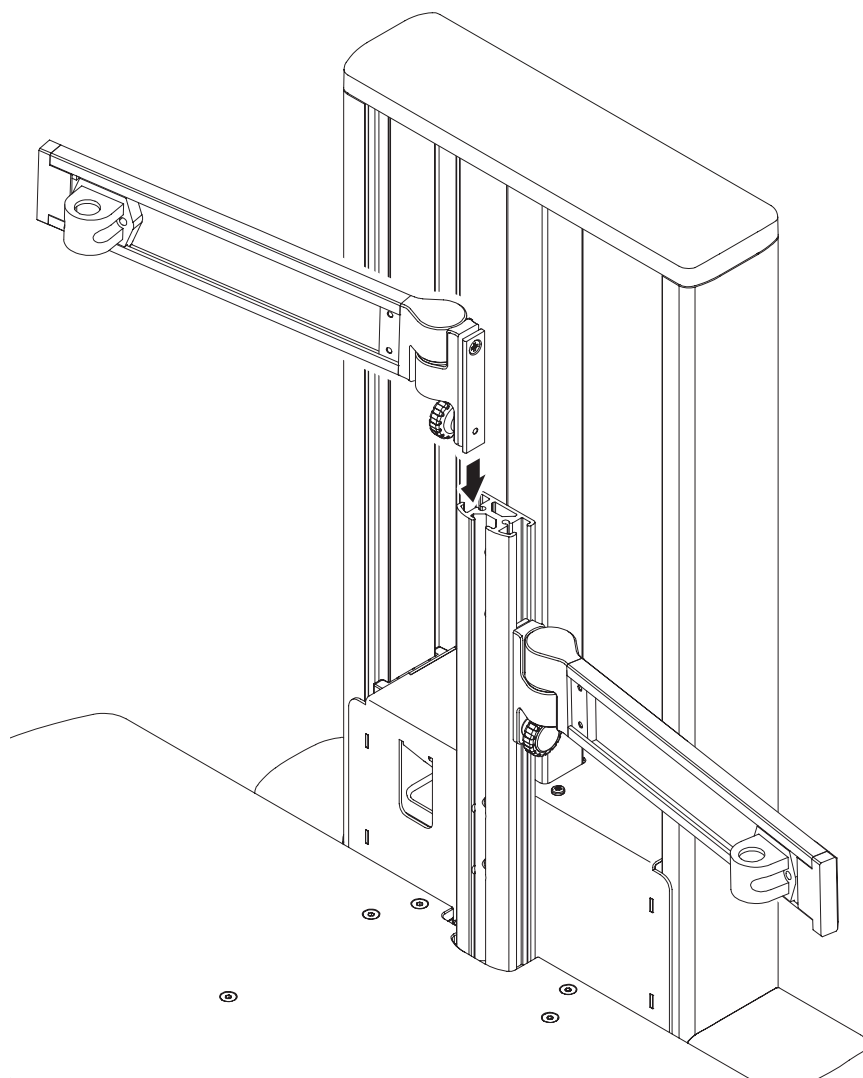
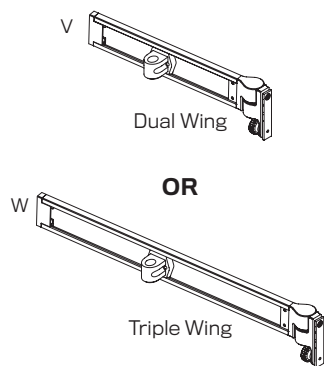


18

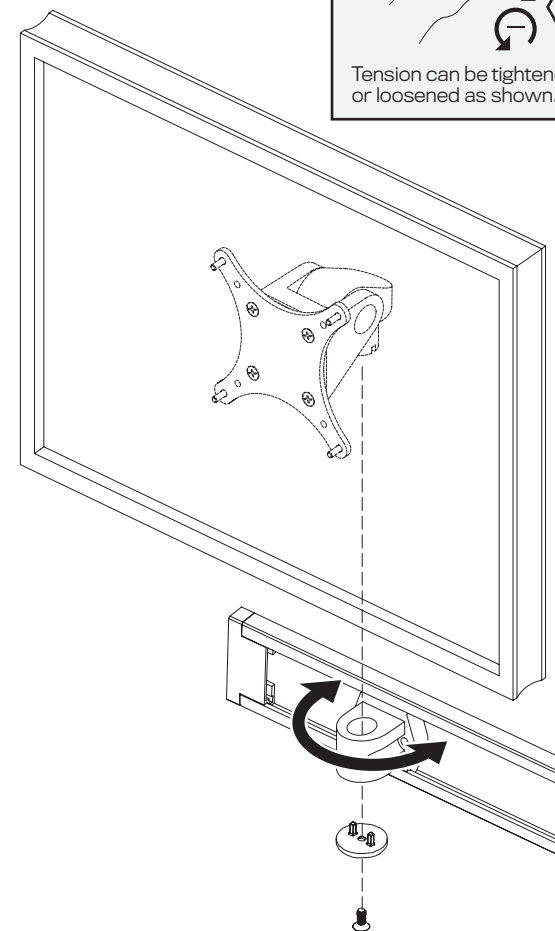


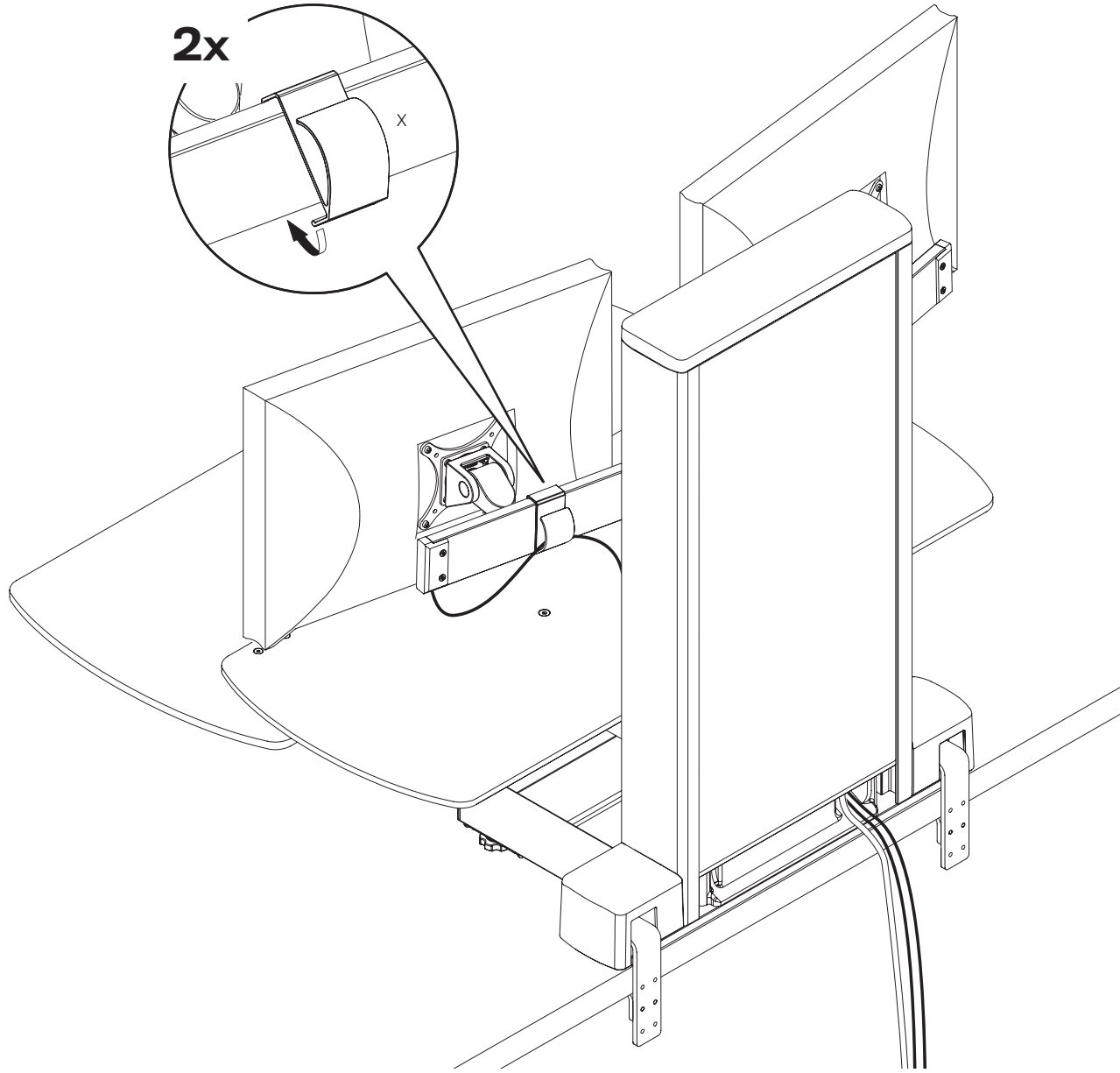
ARE YOU INSTALLING A 1TCH-2, 1TCH-3, 1TCH-2/2, 1TCH-3/3?
IF NOT, PLEASE CONTINUE TO STEP 22.

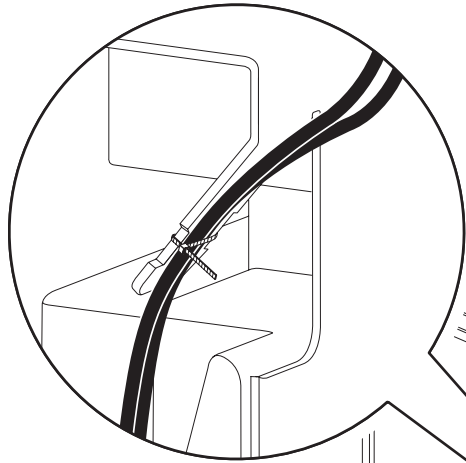
19



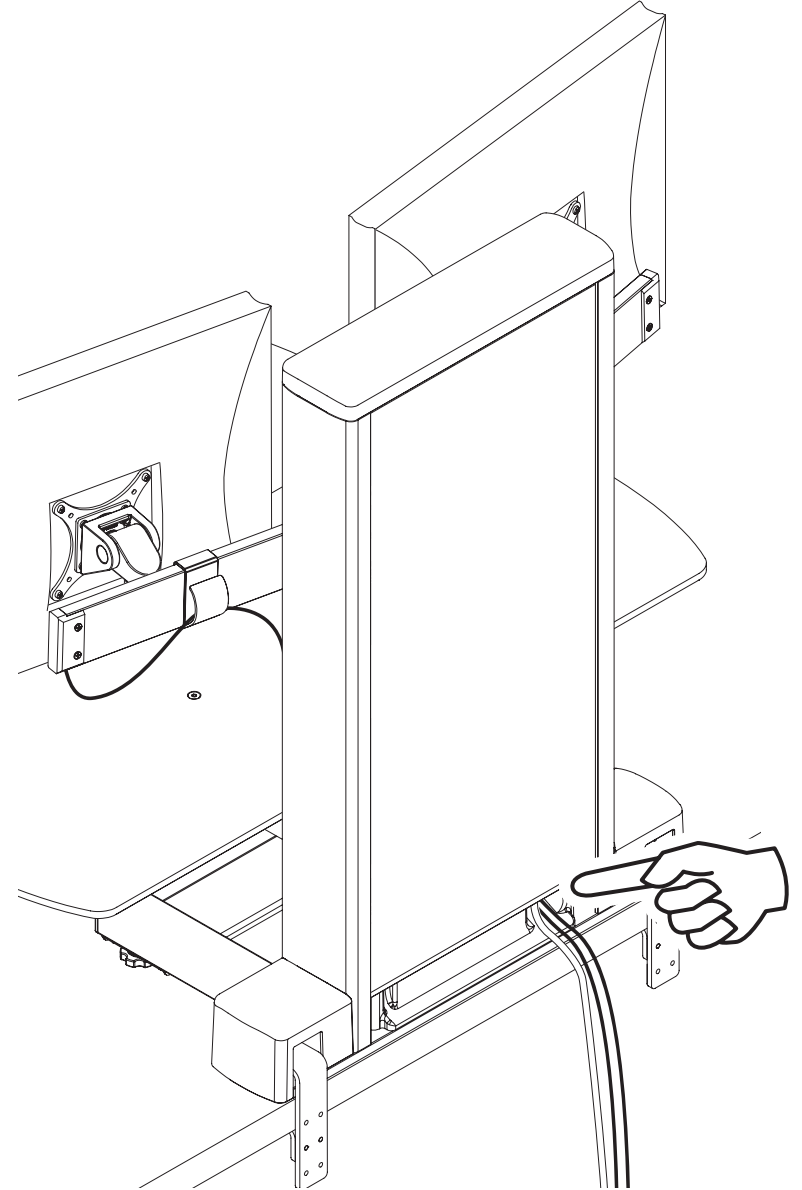
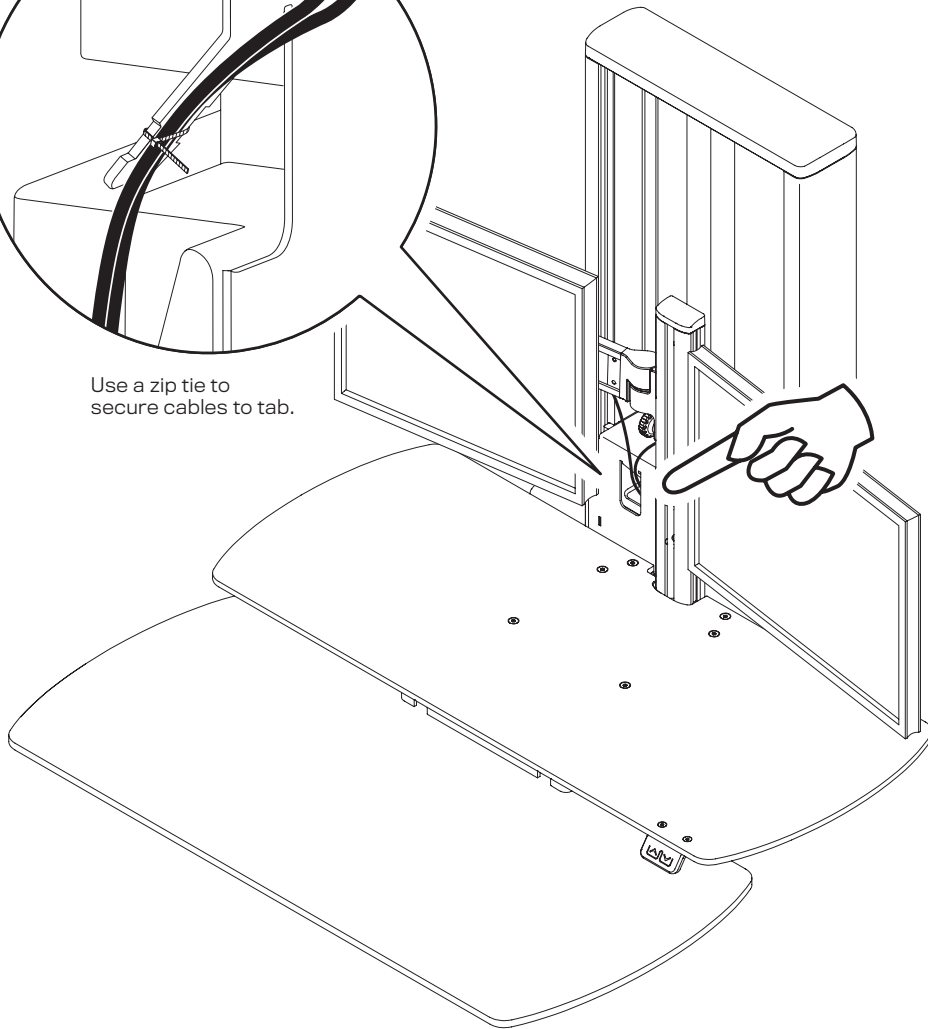
20



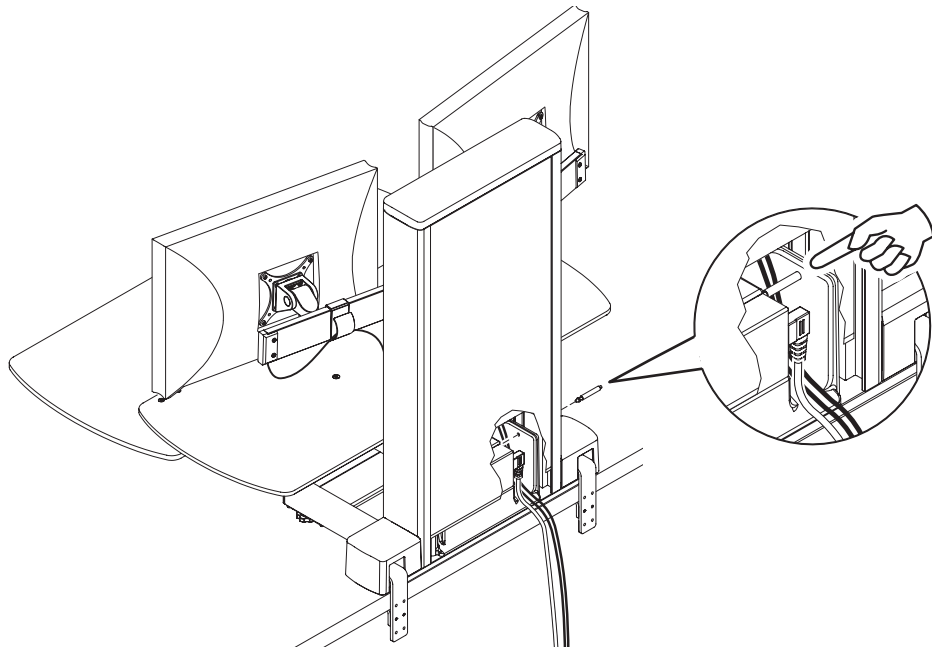




Use a zip tie to secure cables to tab.



23



24

