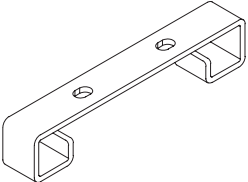


# PARTS LIST

---

A Mounting Hooks (2-pack) 1x  
417239

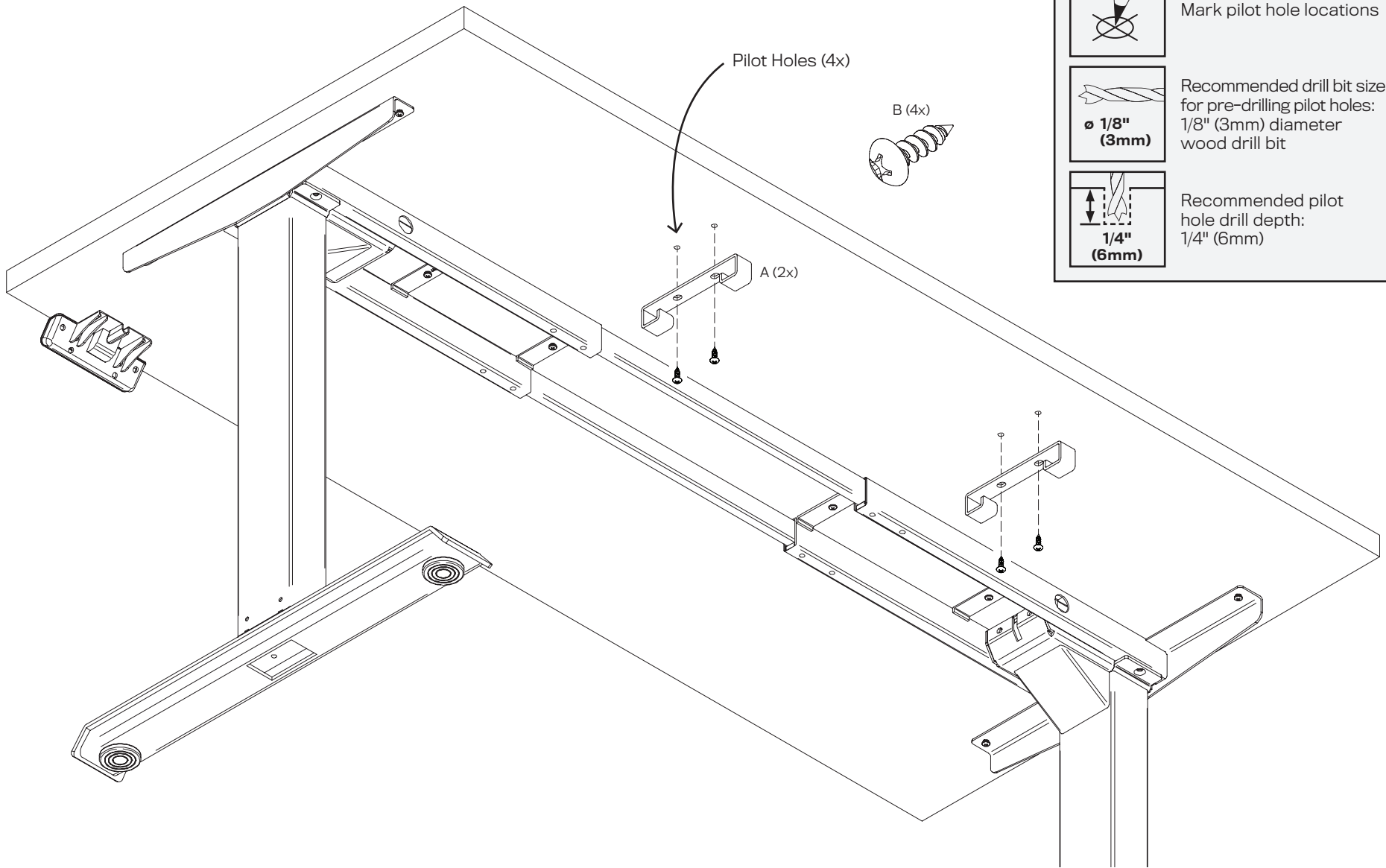


---


B 4.8 x 16mm PhPHS 4x  
717017

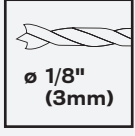


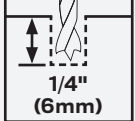
1



**i** **PILOT HOLES**

 Mark pilot hole locations

 Recommended drill bit size for pre-drilling pilot holes:  
1/8" (3mm) diameter wood drill bit

 Recommended pilot hole drill depth:  
1/4" (6mm)

