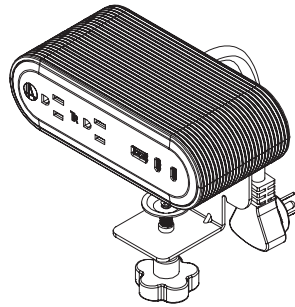
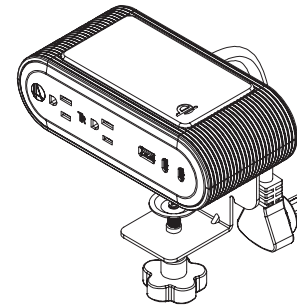




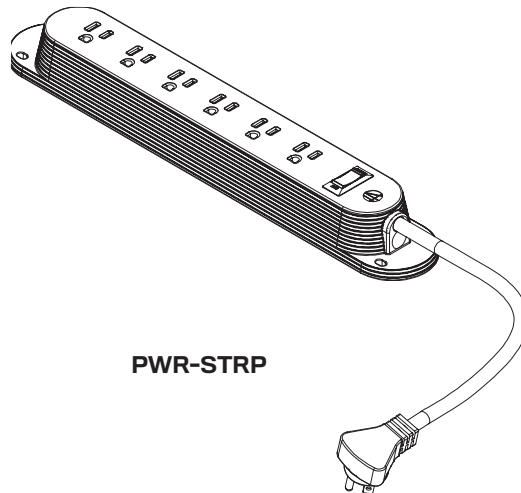
**PWR-AC**



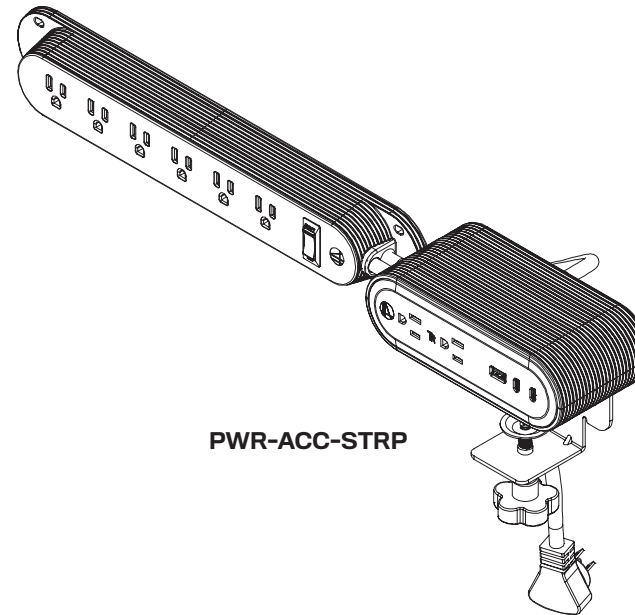
**PWR-ACC**



**PWR-ACC-WRLS**

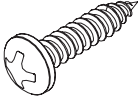
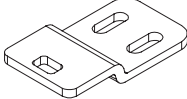
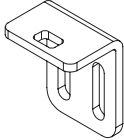

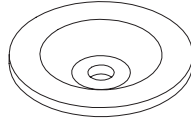





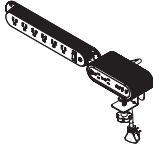


**PWR-STRP**



**PWR-ACC-STRP**

# PARTS LIST

	<b>A</b> PPh M4.8 x 22 Self Tapping 717937 	<b>B</b> Under Mount Adapter 117942 	<b>C</b> Side Mount Adapter 117941 	<b>D</b> PPh M4.2 x 16 Self Tapping 717935 	<b>E</b> Plastic-Head Thumb Screw 717918W 	<b>F</b> PhFHMS M3.5 x 0.6mm x 6mm Long 718122 
<b>PWR-AC</b> 	-	1x	1x	2x	1x	1x
<b>PWR-ACC</b> 	-	-	-	-	-	-
<b>PWR-ACC-WRLS</b> 	-	-	-	-	-	-
<b>PWR-STRP</b> 	4x	-	-	-	-	-
<b>PWR-ACC-STRP</b> 	4x	-	-	-	-	-

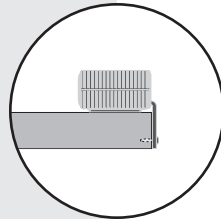
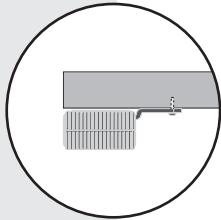
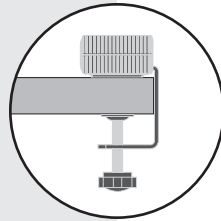
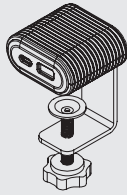
---

# IMPORTANT SAFETY INSTRUCTIONS

## **WARNING - Risk of Electric Shock, Fire, and Injury.**

### **To reduce the risks of burns, fire, electric shock, or injury to persons:**

- Always unplug this unit from the electrical outlet before installing or removing it.
- Use only indoors.
- Dry location use only.
- Do not operate where aerosol (spray) products are being used or where oxygen is being administered.
- Never operate this unit if it has a damaged cord or plug, if it is not working properly, if it has been dropped or damaged, or dropped into water. Return the furnishing to a service center for examination and repair.
- Do not install this unit near heated surfaces/sources.
- Do not open the unit due to risk of electric shock hazard.  
No user serviceable parts inside.
- Never drop or insert any object into any opening.
- Connect this unit to a properly grounded outlet/receptacle only.



# PWR-AC

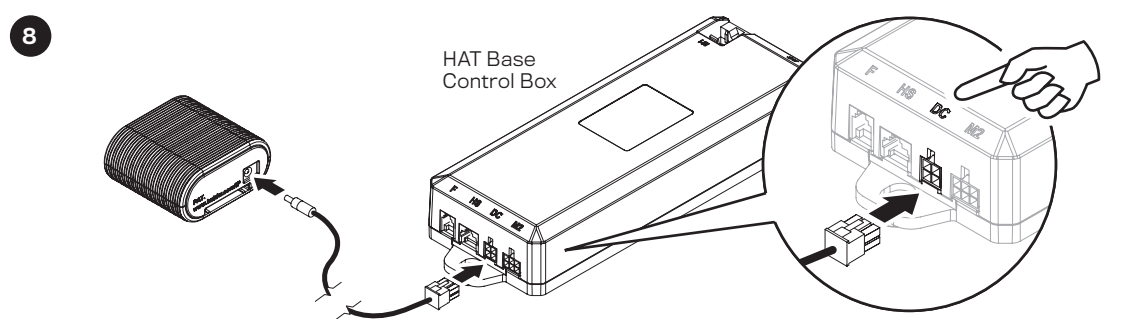
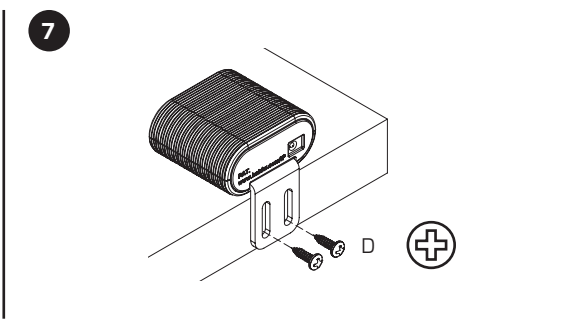
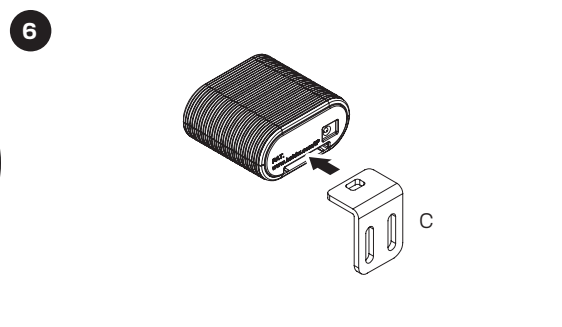
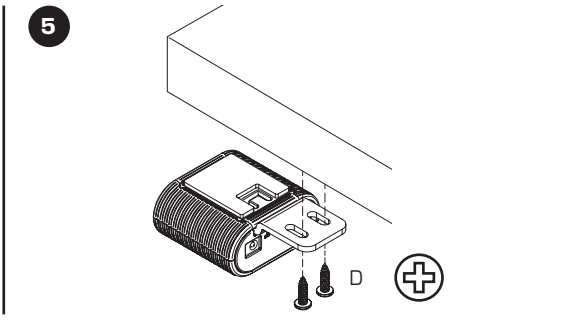
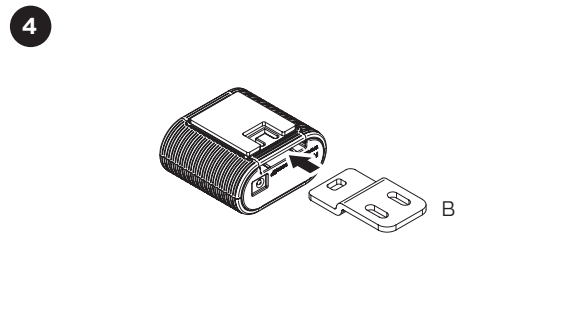
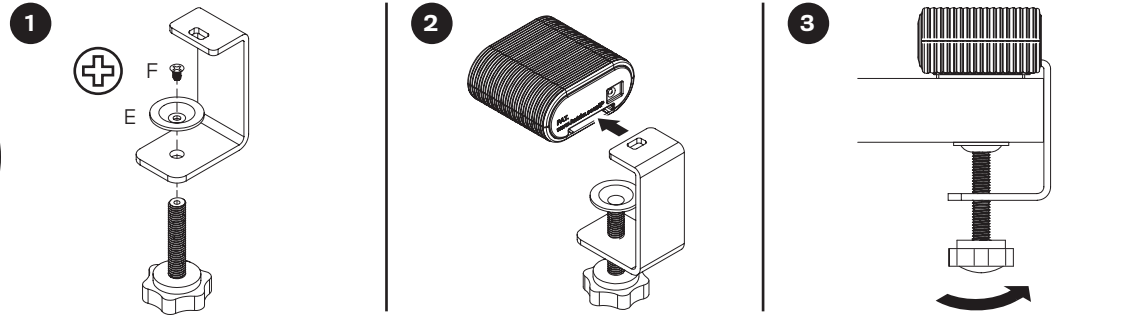
## Features

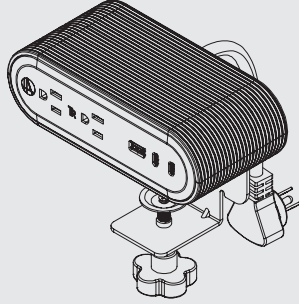
1 USB-A charger port  
 1 USB-C charger port  
 Can charge laptop up to 65 Watts  
 Mount: Desk edge/surface mount,  
 under mount, edge mount  
 (Desk edge/surface mount: 0.5" - 1.75")

## Specifications

Input: DC, 65W max from HAT Base Control Box  
 Output:  
 Single Port in Use:  
 USB-C: QC2.0, QC3.0, PD3.0, PPS, 65W max  
 USB-A: 5V/2A, 10W max  
 Both Ports In Use:  
 USB-C: 20V2.25A max  
 USB-A: 5V2A max

\* Compatible with HAT bases only





## PWR-ACC

### Features

- 2 power receptacles
- 1 USB-A charger port
- 2 USB-C charger ports
- Can charge laptop up to 65 Watts
- Mount: Desk edge, 0.75" - 1.75"
- Conforms and tested to UL 962A and UL 1310 standards
- Tamper-resistant (TR) AC outlets
- Integrated circuit breaker

### Specifications

Input: 125VAC, 60Hz, 15A max

Output:

AC Outlets (2): 120VAC, 60HZ, 15A max

Single port use:

USB-A: 5V3A, 9V2.A, 12V1.5, 18W max

USB-C1: 5V/3A, 9V3A, 12V3A, 15V3A, 20V3.25A;

PPS (3.3-11V4.05A, 3.3-16V3A, 65W max);

PD3.0, APPLE2.4A, DCP1.5A, QC2.0/3.0, AFC

USB-C2: 5V3A, 9V2.22A, 12V1.67A, 20W max

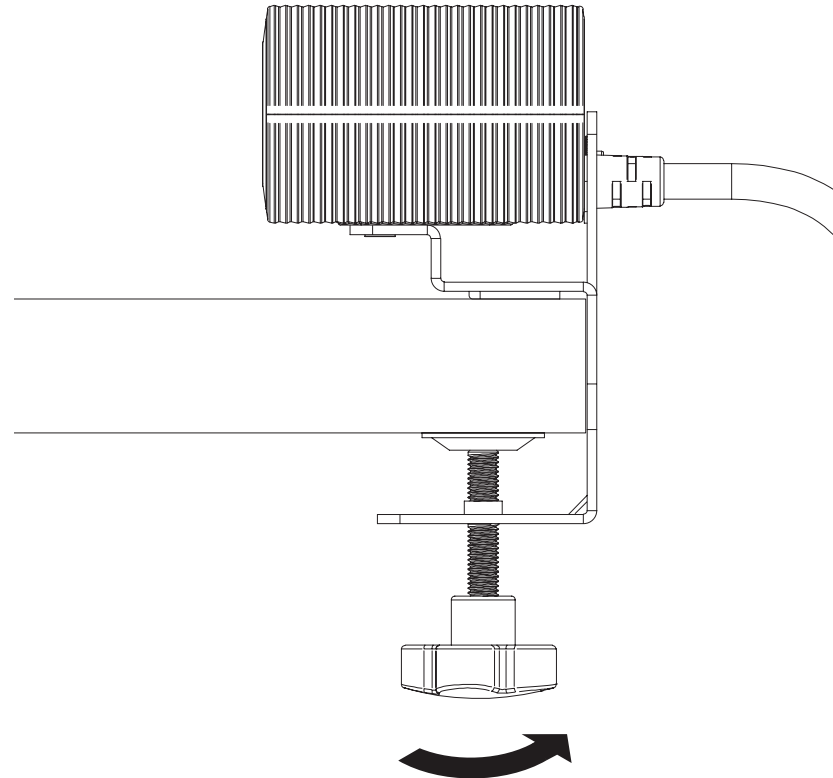
Multi port use:

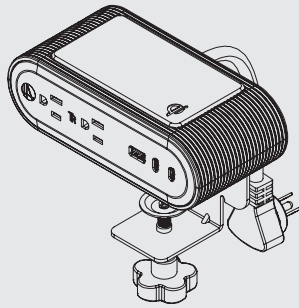
USB-C1 + USB-C2: USB-C1 max 45W (5V3A, 9V3A, 12V3A, 15V2.67A, 20V2.25A); USB-C2 max 20W (5V3A, 9V2.22A, 12V1.67A)

USB-C1 + USB-A: USB-C1 max 45W (5V3A, 9V3A, 12V3A, 15V2.67A, 20V2.25A); USB-A max 18W (5V3A, 9V2.A, 12V1.5, 18W max)

USB-C2 + USB-A: Both share 15W

USB-C1 + USB-C2 + USB-A: USB-C1 max 45W (5V3A, 9V3A, 12V3A, 15V2.67A, 20V2.25A); USB-C2 & USB-A share 15W





## PWR-ACC-WRLS

### Features

- 2 power receptacles
- 1 USB-A charger port
- 2 USB-C charger ports
- Can charge laptop up to 65 Watts
- Fast Qi certified wireless charging
- Mount: Desk edge, 0.75" - 1.75"
- Conforms and tested to UL 962A and UL 1310 standards
- Tamper-resistant (TR) AC outlets
- Integrated circuit breaker

### Specifications

Input: 125VAC, 60Hz, 15A max

#### Output:

AC Outlets (2): 120VAC, 60HZ, 15A max

#### Single port use:

USB-A: 5V3A, 9V2.A, 12V1.5, 18W max

USB-C1: 5V/3A, 9V3A, 12V3A, 15V3A, 20V3.25A; PPS  
(3.3-11V4.05A, 3.3-16V3A, 65W max), PD3.0,  
APPLE2.4A, DCP1.5A, QC2.0/3.0, AFC

USB-C2: 5V3A, 9V2.22A, 12V1.67A, 20W max

#### Multi port use:

USB-C1 + USB-C2: USB-C1 max 45W (5V3A, 9V3A,  
12V3A, 15V2.67A, 20V2.25A); USB-C2 max 20W  
(5V3A, 9V2.22A, 12V1.67A);

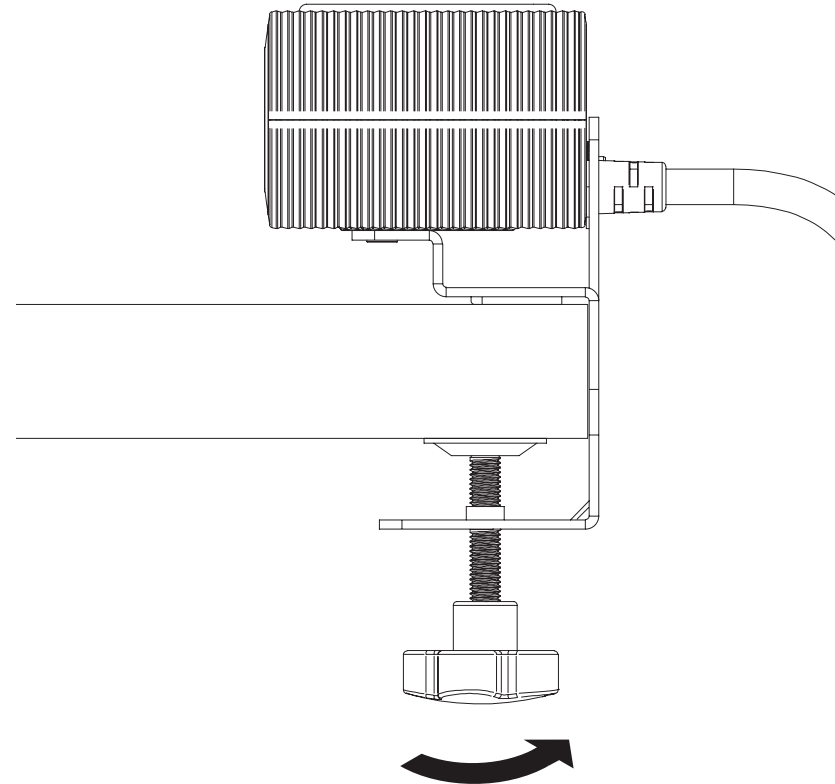
USB-C1 + USB-A : USB-C1 max 45W (5V3A, 9V3A,  
12V3A, 15V2.67A, 20V2.25A); USB-A max 18W  
(5V3A, 9V2.A, 12V1.5, 18W max)

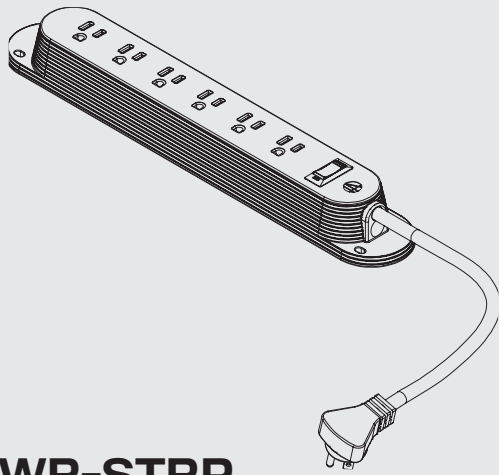
USB-C2 + USB-A : Both share 15W

USB-C1 + USB-C2 + USB-A : USB-C1 max 45W  
(5V3A, 9V3A, 12V3A, 15V2.67A, 20V2.25A);

USB-C2 & USB-A share 15W;

Wireless Charging: Qi 5W, 7.5W, 10W, 15W (auto detection)





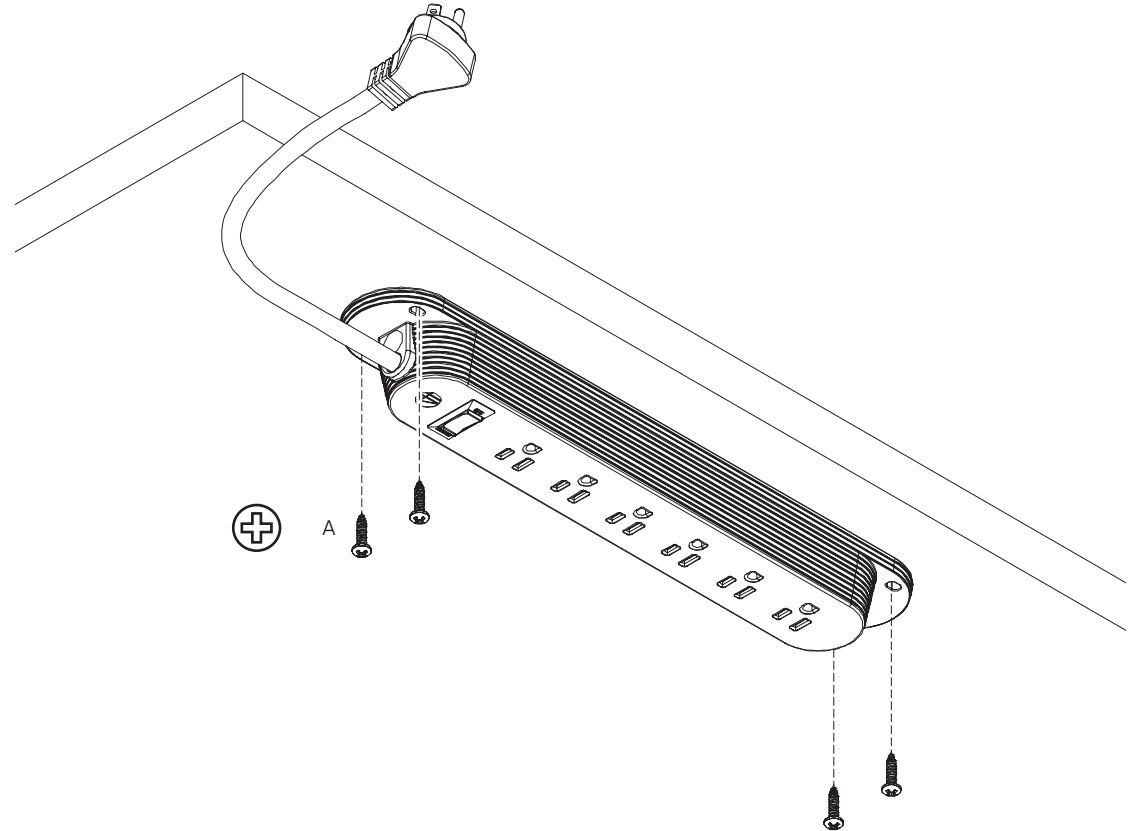
## PWR-STRP

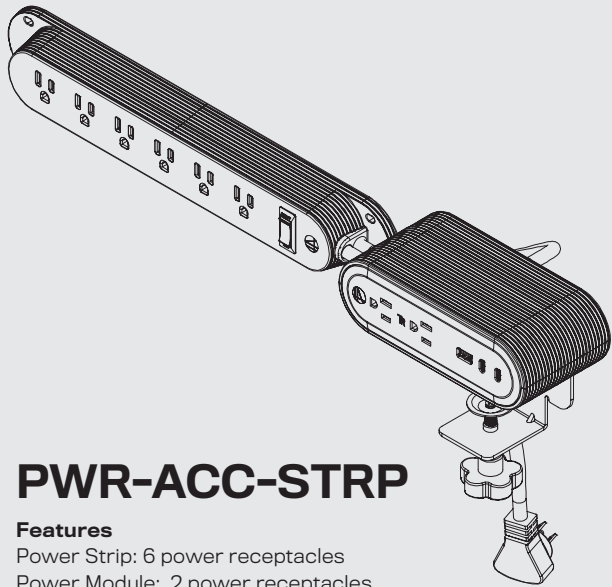
### Features

- 6 power receptacles
- Conforms and tested to UL 962A and UL 498 standards
- Tamper-resistant (TR) AC outlets
- Integrated circuit breaker

### Specifications

- Input: 125VAC, 60Hz, 15A max
- Output: AC Outlets (6): 120VAC, 60HZ, 15A max





## PWR-ACC-STRP

### Features

- Power Strip: 6 power receptacles
- Power Module: 2 power receptacles
  - 1 USB-A charger port
  - 2 USB-C charger ports
 Can charge laptop up to 65 Watts

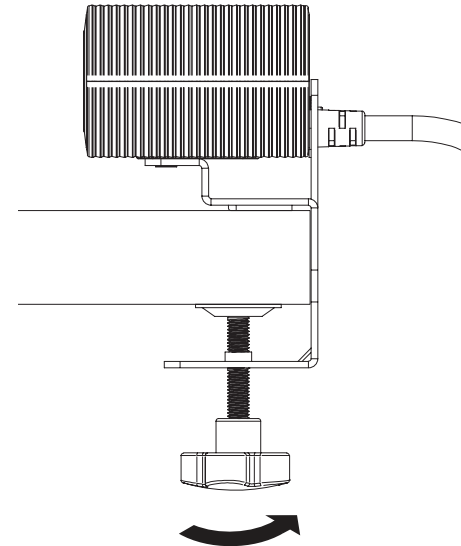
Conforms and tested to UL 962A, UL 1310, and UL 498 standards  
 Tamper-resistant (TR) AC outlets  
 Integrated circuit breaker

### Specifications

Input: 125VAC, 60Hz, 15A max  
 Output, Power Strip: AC Outlets (6): 120VAC, 60HZ, 12A max  
 Output, Surface Mounted Power Module:  
 AC Outlets (2): 120VAC, 60HZ, 15A max  
 USB:

- Single Port Use
  - USB-A: 5V3A, 9V2.A, 12V1.5, 18W max
  - USB-C1: 5V/3A, 9V3A, 12V3A, 15V3A, 20V3.25A;
- PPS (3.3-11V4.05A, 3.3-16V3A, 65W max),  
 PD3.0, APPLE2.4A, DCP1.5A, QC2.0/3.0, AFC
  - USB-C2: 5V3A, 9V2.22A, 12V1.67A, 20W max
- Multi Port Use
  - USB-C1 + USB-C2: USB-C1 max 45W (5V3A, 9V3A, 12V3A, 15V2.67A, 20V2.25A); USB-C2 max 20W (5V3A, 9V2.22A, 12V1.67A)
  - USB-C1 + USB-A: USB-C1 max 45W (5V3A, 9V3A, 12V3A, 15V2.67A, 20V2.25A); USB-A max 18W (5V3A, 9V2.A, 12V1.5, 18W max)
  - USB-C2 + USB-A: Both share 15W
  - USB-C1 + USB-C2 + USB-A : USB-C1 max 45W (5V3A, 9V3A, 9V3A, 12V3A, 15V2.67A, 20V2.25A); USB-C2 & USB-A share 15W

1



2

