

A (x1)

st4.8x16 (x4)
B

st4.8x38 (x4)
C

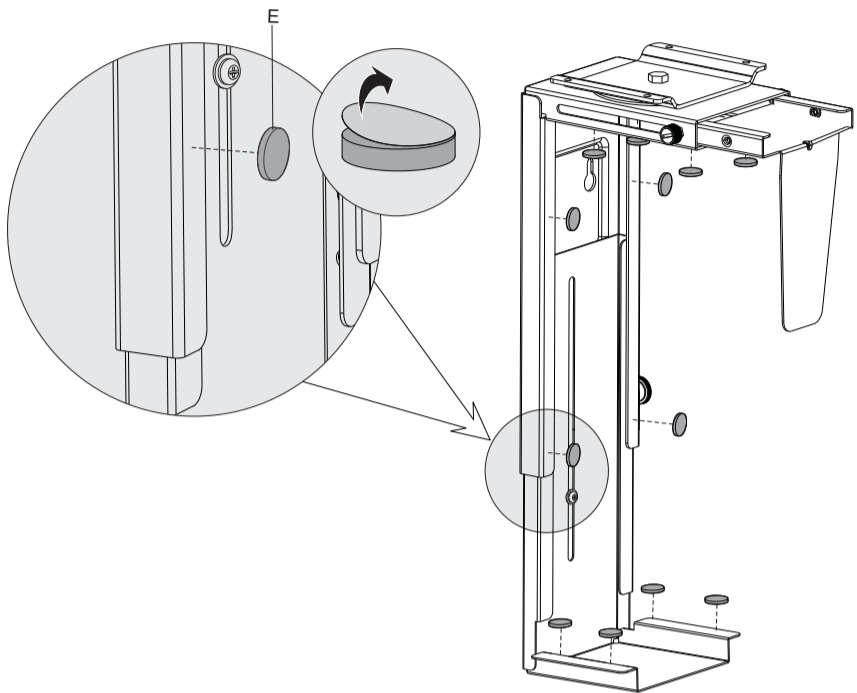
D (x4)

E (x12)

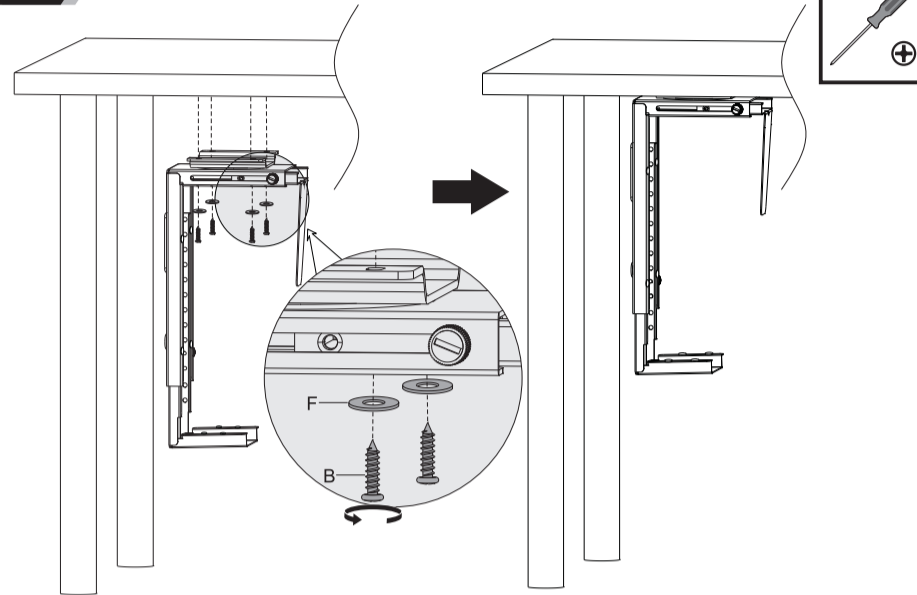
F (x4)

G (x1)

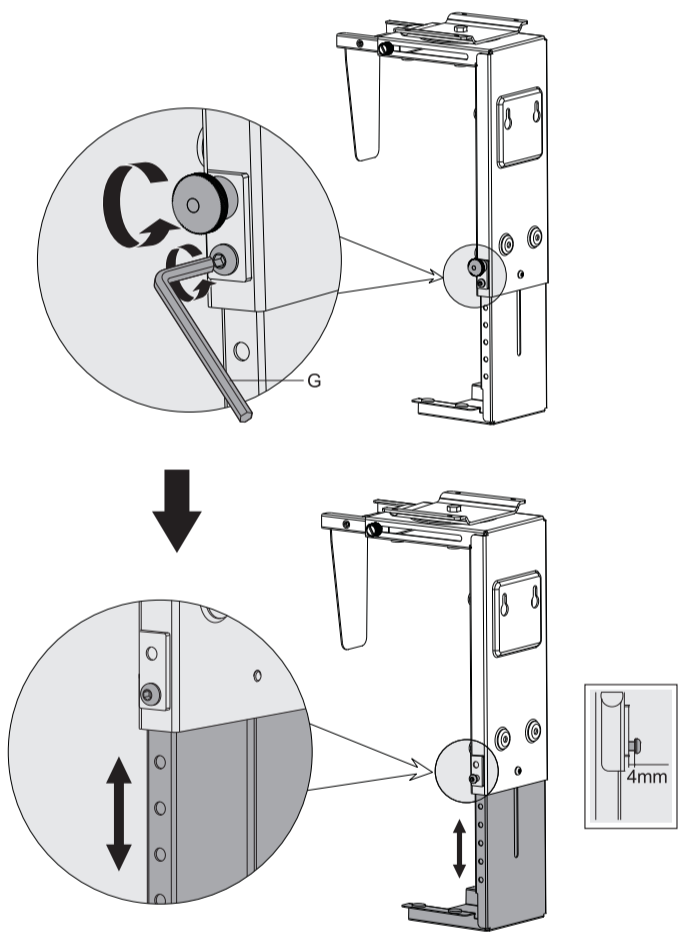
1



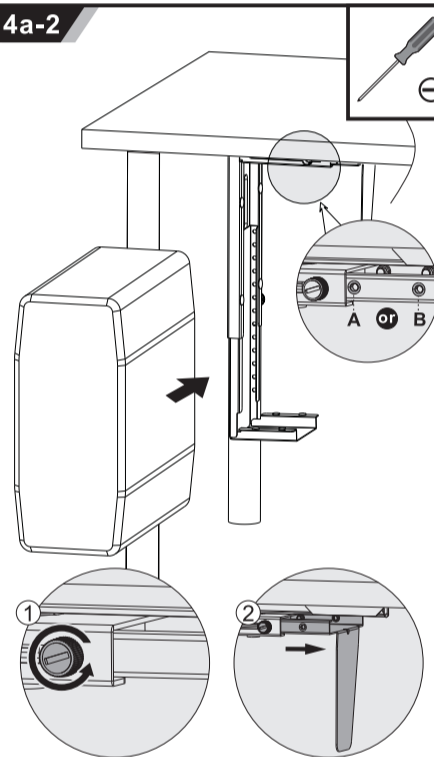
4a-1



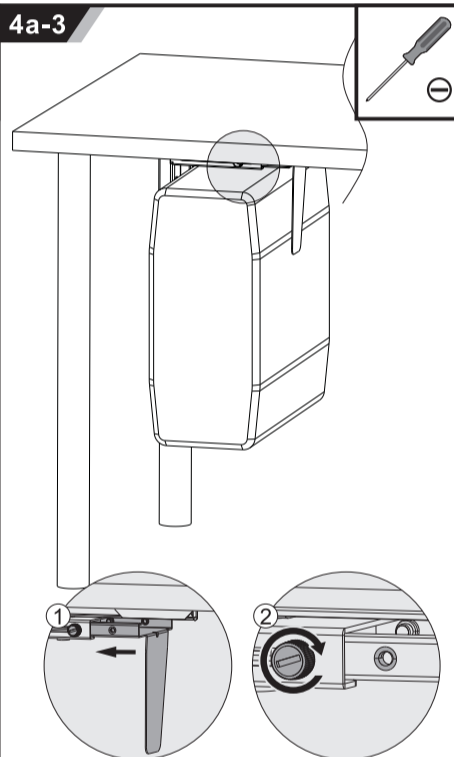
2



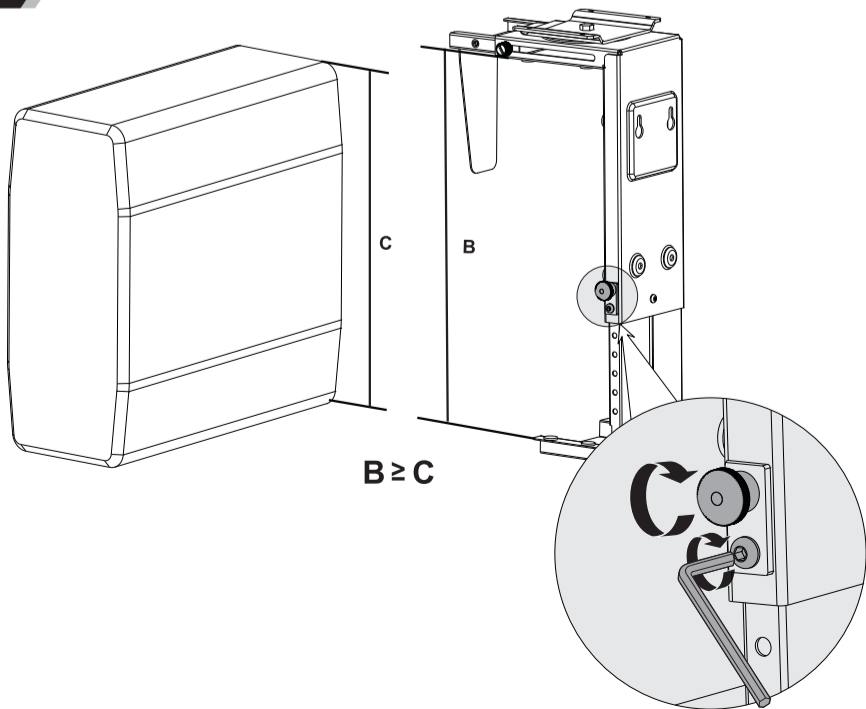
4a-2



4a-3



3



4b

