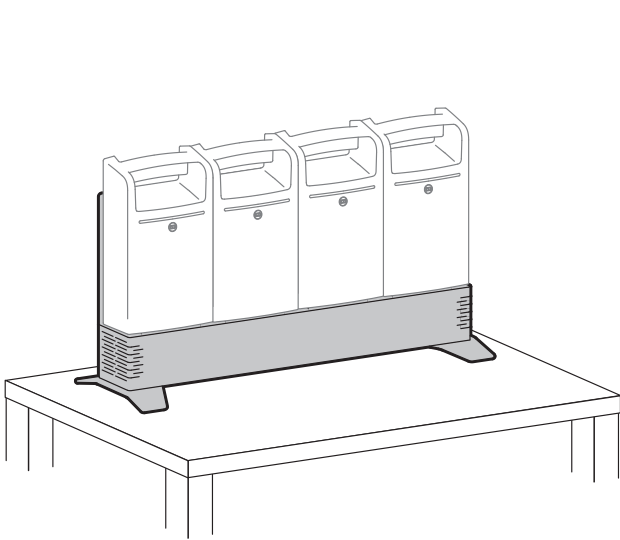
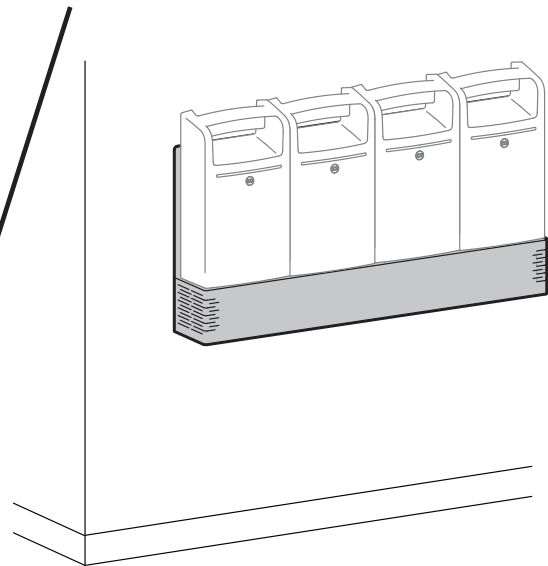


ergotron®

LiFeKinnex™ 4-Bay Charger



Desk Top



Wall Mounted

English

Please review this manual before installing your equipment to learn how to use this product safely.

The LiFeKinnex Charger is designed to charge up to 4 LiFeKinnex Batteries simultaneously. (Battery Model FBP-1164, Part Number 916-333-00)

The charger can be placed on a desk or mounted flush on the wall.

This product is certified according to IEC/EN 60601-1, as class I equipment.

AC input: 100-240V~ 50/60-Hz. Max amps: 4.8 - 2.1A.

Manufactured for Ergotron by Green Cubes Technology www.greencubestech.com

Patents Ergotron.com/patents

Batteries Sold Separately.



For the latest User Installation Guide please visit: www.ergotron.com




English, Español, Français, Deutsch, Nederlands, Italiano, Svenska, 日本語, 汉语

www.ergotron.com | USA: 1-800-888-8458 | Europe: +31 (0)33-45 45 600 | China: 400-120-3051 | Japan: japansupport@ergotron.com

Safety

Hazard Symbols Review

These symbols alert users of a safety condition that demands attention. All users should be able to recognize and understand the significance of the following Safety Hazards if encountered on the product or within the documentation. Children who are not able to recognize and respond appropriately to Safety Alerts should not use this product without adult supervision!

Symbol	Signal Word	Level of Hazard
	INSTRUCTIONS	Refer to instruction manual/booklet. Follow instructions for use.
	CAUTION	A CAUTION indicates either potential damage to hardware or loss of data and tells you how to avoid the problem.
	WARNING	A WARNING indicates either potential for property damage, personal injury, or death.
	DANGER	A DANGER indicates a hazardous situation that, if not avoided, will result in death or serious injury.

Equipment Electrical Safety

 **WARNING:** Failure to observe the following Electrical Safety notices can result in fire or death by electric shock.


Electrical cables can be hazardous. Misuse can result in fire or death by electrical shock.


- Inspect power cables thoroughly before each use.
- Do not use cables that are damaged.
- Insert the plug completely into the outlet.
- Grasp the plug to remove from the outlet.
- Do not unplug by pulling on the cable.
- Do not use excessive force to make connections.
- Do not plug the cable into an extension cable.
- Do not remove, bend or modify any metal prongs or pins of cable.
- Do not drive, drag or place objects over the cable.
- Do not walk on the cable.
- Avoid overheating.
- Do not run cable through doorways, holes in ceilings, walls or floors.

Keep away from water.

- Do not use it when wet.
- Do not place in close proximity to flammable liquids or gases.

This AC power cord is for Ergotron equipment only. Do not use it for other equipment.

 **WARNING:** Use of this equipment adjacent to or stacked with other equipment should be avoided because it could result in improper operation. If such use is necessary, this equipment and the other equipment should be observed to verify that they are operating normally.

 **WARNING:** Use of accessories, transducers and cables other than those specified or provided by the manufacturer of this equipment could result in increased electromagnetic emissions or decreased electromagnetic immunity of this equipment and result in improper operation.

CAUTION: The power disconnect for this equipment is the AC power cable. The socket outlet should be easily accessible and should be installed near the equipment.

Do not use this unit outdoors.

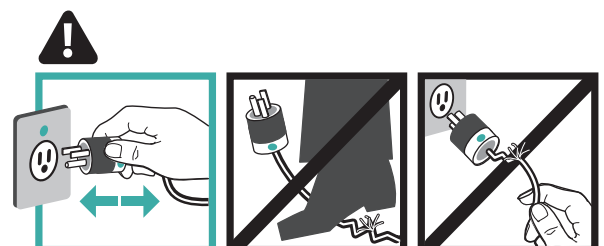
Never unplug this product from the outlet when your hands are wet.

Any modifications made to this device that are not approved, may void the authority granted to the user by the FCC to operate this equipment.

Ensure the product is connected to an outlet having the same configuration as the plug. No adapter should be used with this product.

Ergotron does not accept any liability for damage if the unit is misused, incorrectly operated or inadequately repaired. Under these circumstances the warranty will be void.

CAUTION: To avoid the potential to pinch cables it is important to follow the cable routing instructions in this manual. Failure to follow these instructions may result in equipment damage or personal injury.



DANGER! Electrical cables can be hazardous. Misuse can result in fire or death by electrical shock.

Safety

Do not attempt to connect the charger in serial or parallel with any other charger. This system was not designed to serve this purpose.

This Charger shall be installed by qualified personnel only. The system shall be always installed in the vertical direction as shown in the picture on cover page.



WARNING: DO NOT charge battery with any other charger.



WARNING: Battery contains magnets. Magnets may be harmful to persons with implanted medical devices. Keep battery at least 6" (152 mm) away from any implanted medical devices.



WARNING: Keep battery and charger cool or at room temperature
Operating Temperature: 10°C to 40°C (50°F to 113°F)
Storage Temperature: -20°C to 45°C (-4°F to 113°F)



WARNING: Never attempt to open or service the battery.



WARNING: Never attempt to short circuit the battery or the charger intentionally.



WARNING: DO NOT drop, puncture or crush battery or expose to water.



WARNING: DO NOT dispose battery in fire in any circumstances. Keep battery pack away from any hot source.



WARNING: DO NOT use battery if physical damage is evident.

To avoid risk of electric shock, do not expose electrical component to water, cleaning solution or other potentially corrosive liquids or substances.
To avoid risk of electric shock, this equipment must be connected to AC mains with protective earth.



WARNING: In rare case, if the charger and battery protection features fail, the battery may become overcharged and in some instances, it may become extremely hot, possibly melting the plastics and releasing smoke.

If a battery begins to smoke or melts:

Unplug the charger, or if possible disconnect the battery from charger immediately.

Move the battery to a well-ventilated area.

Use a Carbon Dioxide, Dry Chemical, or appropriate foam fire extinguisher to spray the hot battery. If a fire extinguisher is not available, use copious amounts of water, or cover the battery with sand. Exposure to vapor released from the battery is irritating to the eyes, skin, mucous membranes, and respiratory tract.

This may cause nausea, dizziness, and headache.

In case of direct contact to the battery's electrolyte:

Immediately flush eyes with water for at least 15 minutes.

Thoroughly rinse hands and other affected areas with water.

Promptly remove and wash any contaminated clothing.

In all cases, seek immediate medical attention!

Placement:

Do not expose the charger to direct sunlight or other heat source.

Ensure the operating environment is well ventilated to allow adequate dissipation of heat.

Ensure the charger's surrounding area is clean and free from moisture.

Do not put heavy objects on the charger.

AC Inlet power cords:

AC mains plug shall have the protective earth pin. By connecting the plug to the charger, it shall have not more than 200mΩ to any part of the system metal case.

The connector shall be an IEC 60320 compliant C13 plug.

The power cords shall be IEC 60227 or HO5VV compliances.

Features & Specifications

EMC levels are evaluated according to IEC60601-1-2/EN60601-1-2. This charger was not designed to be water proof, therefore, its classified as IPX0 and also not evaluated as AP/APG equipment. The Charger is classified for continuous operation.

Certification:

UL 60601-1 Safety of Medical Electrical Equipment

CAN/CSA C22.2 No. 601.1

IEC 60601-1

ICES-003 Issue 5, Class A

FCC Part 15 Class A

RoHS and REACH compliant material used.

This device complies with Part 15 of the FCC Rules. Operation is subject to the following two conditions:

- 1) This device may not cause harmful interference.
- 2) This device must accept any interference received, including interference that may cause undesired operation.

CAN ICES3(A)/NMB-3(A).

Changes or modifications not expressly approved by the Ergotron could void the user's authority to operate the equipment.

Intended for institutional use.

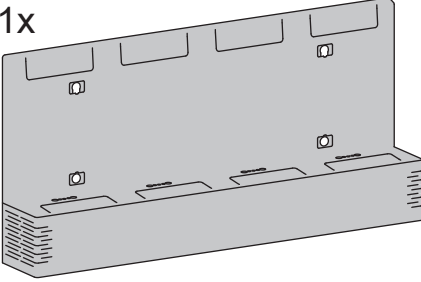


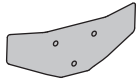

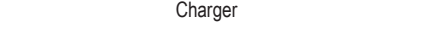


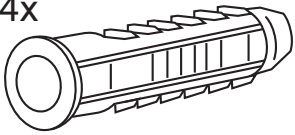
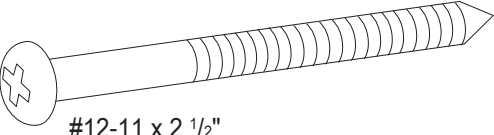
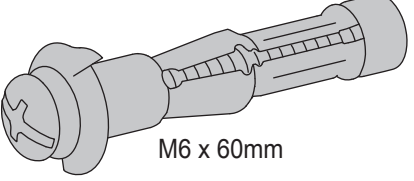
Note: The emissions characteristics of this equipment make it suitable for use in industrial areas and hospitals (CISPR 11 class A). If it is used in residential environment (For which CISPR 11 class B is normally required) this equipment might not offer adequate protection to radio-frequency communication services. Mitigation measures, such as relocating or re-orienting the equipment may be necessary.

Model Number	FBC-1116
Part Number	916-325-00
Input Voltage Range	100 - 240Vac
Input Current Rating	4.8 to 2.1A
Input Frequency	50/60Hz
Power Factor	PF>0.94/230Vac PF>0.98/115Vac
Charging Voltage	14.4V
Maximum Charging Current	15A
Operating Ambient Temperature	10° to 40°C
Transportation Temperature/Humidity	-20° to +70°C/ 5% to 95%
Storage Temperature/Humidity	-20° to +45°C/ 5% to 95%
Ambient Relative Humidity	20 to 90% Non-Condensing
Operating Altitude	4000 meters
Communication	USB2.0/ WIFI 2.4 GHz, IEEE 802.11n
Weight of Charger	16.1 lbs (7.3 kg)

USB is intended for WIFI set up only.



Components

	A	B	C	D	E
1	1x 	4x  Screw Caps	1x  Cable Clip	2x  Foot	6x  M4 x 10mm Screw
2	 Charger	1x  Power Cord	1x  M4 x 8mm Screw	4x  M7 Concrete Wall Anchor	
3	4x  #12-11 x 2 1/2" Screw			4x  M6 x 60mm Drywall Anchor	

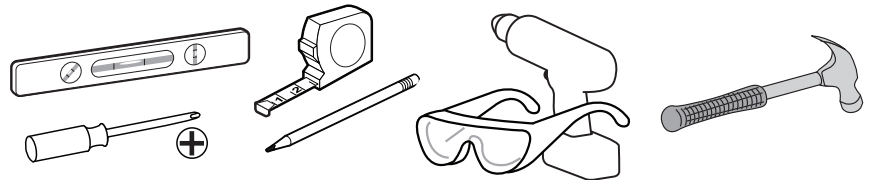
Battery Sold Separately.
Lithium Iron Phosphate 245Wh, 916-333-00



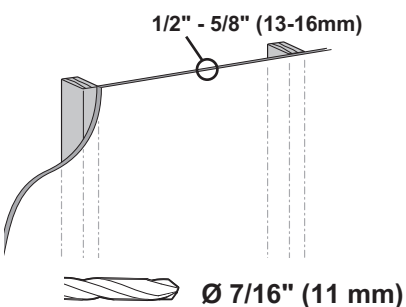
Desk Top Tools Needed



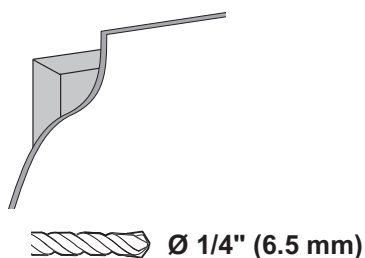
Wall Mounted Tools Needed



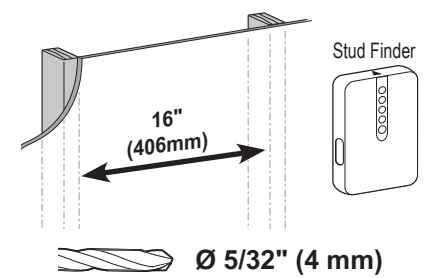
HOLLOW WALL



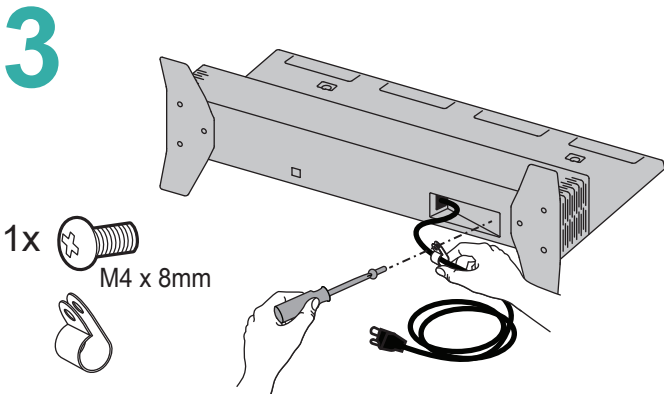
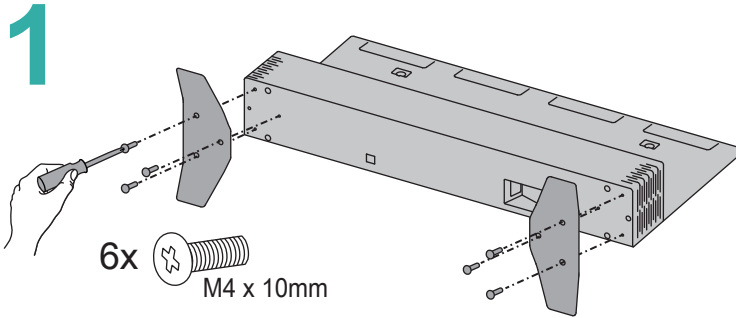
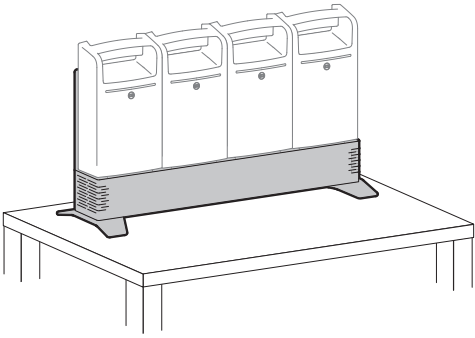
CONCRETE



WOOD

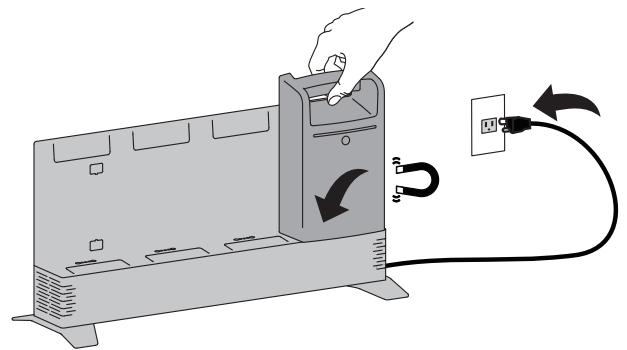
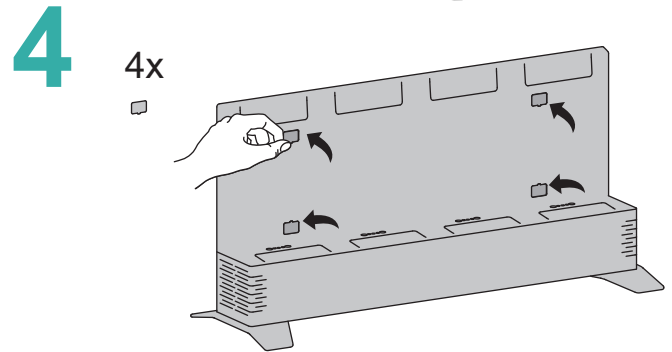
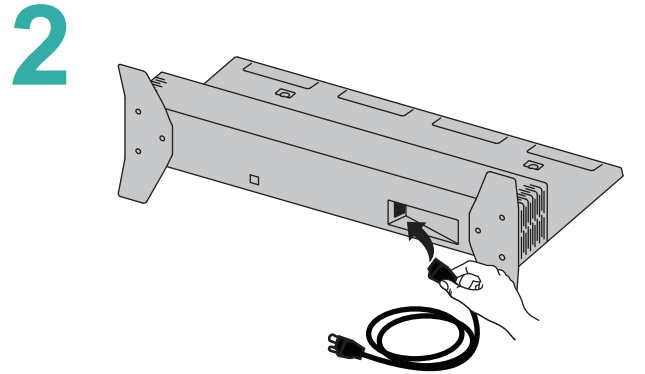
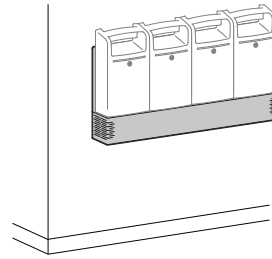


Desk Top

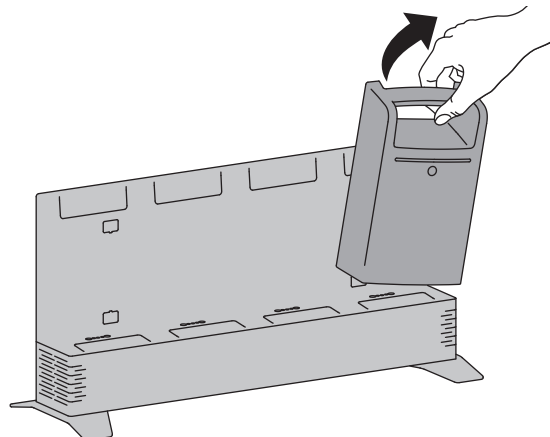
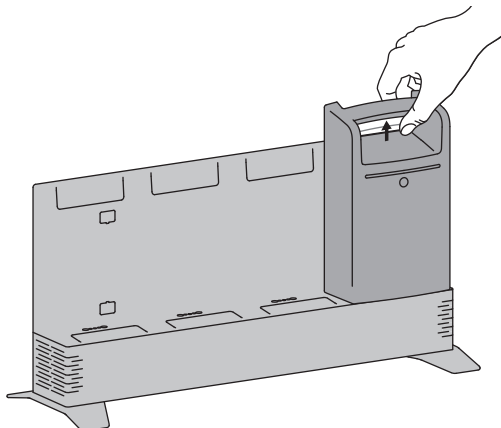


5 Dock Batteries on Charging Station and plug Charging Station into wall outlet.
(Batteries Sold Separately.)
Batteries use magnets to attach to Charging Station.

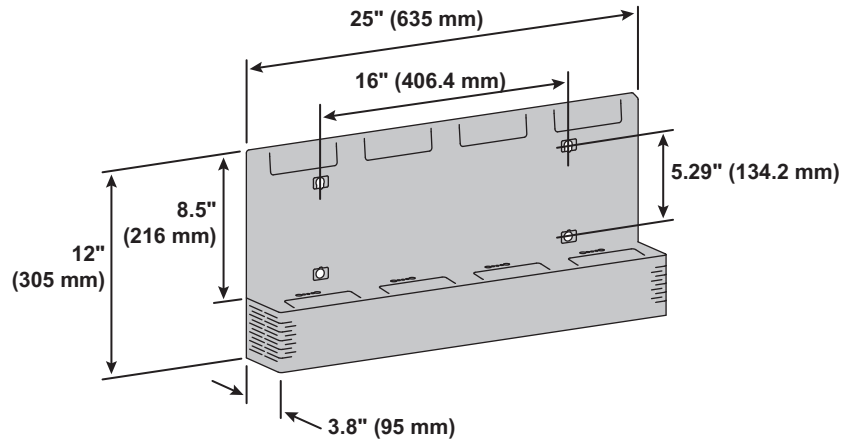
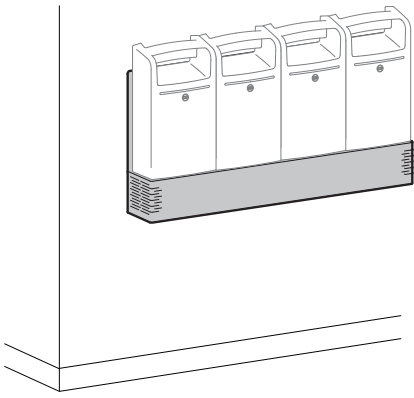
Wall Mounted



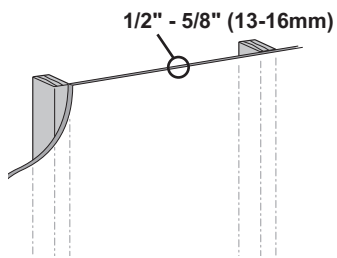
To Remove Battery, squeeze handle and pull off.



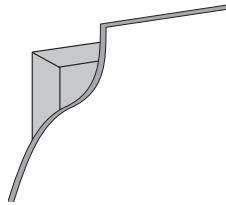
Wall Mounted



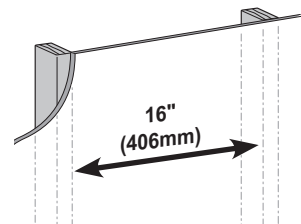
HOLLOW WALL



CONCRETE

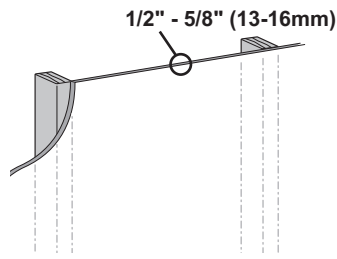
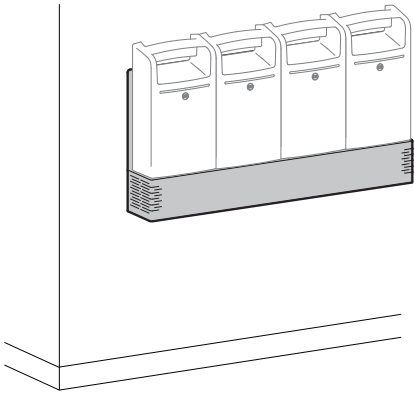


WOOD

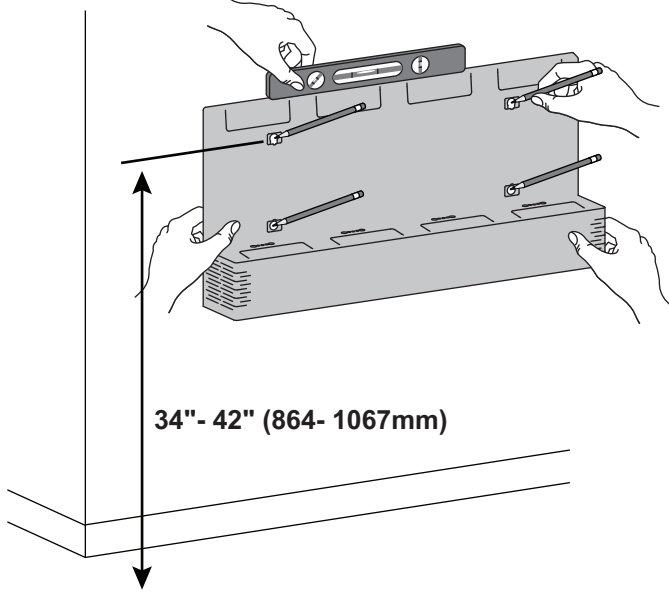


Wall Mounted

HOLLOW WALL



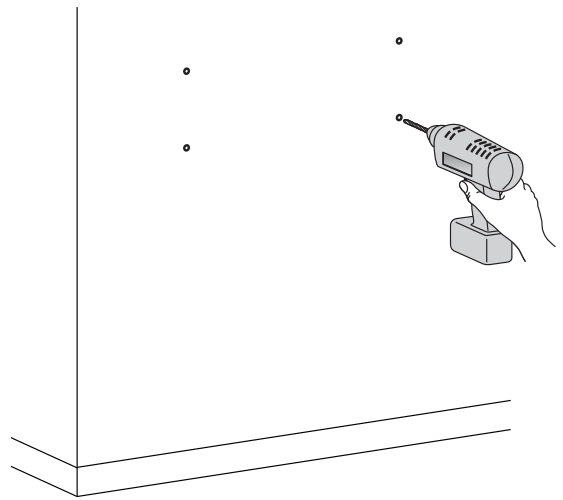
1



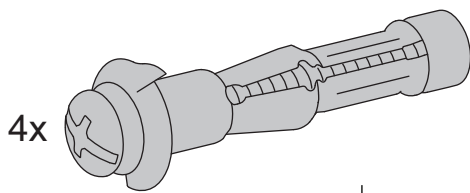
34" - 42" (864- 1067mm)

2

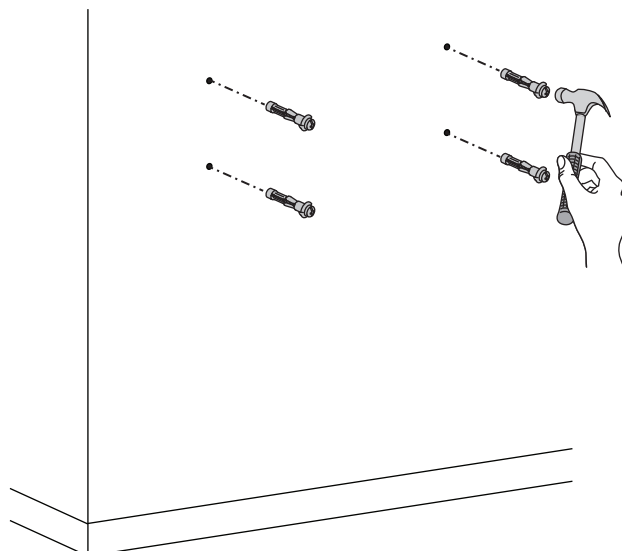
Ø 7/16" (11 mm)



3

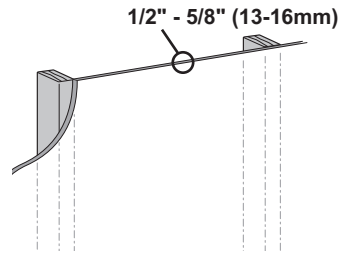
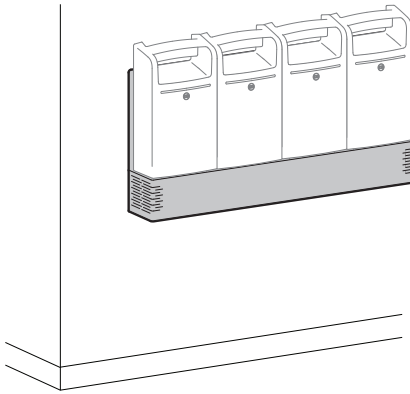


4x



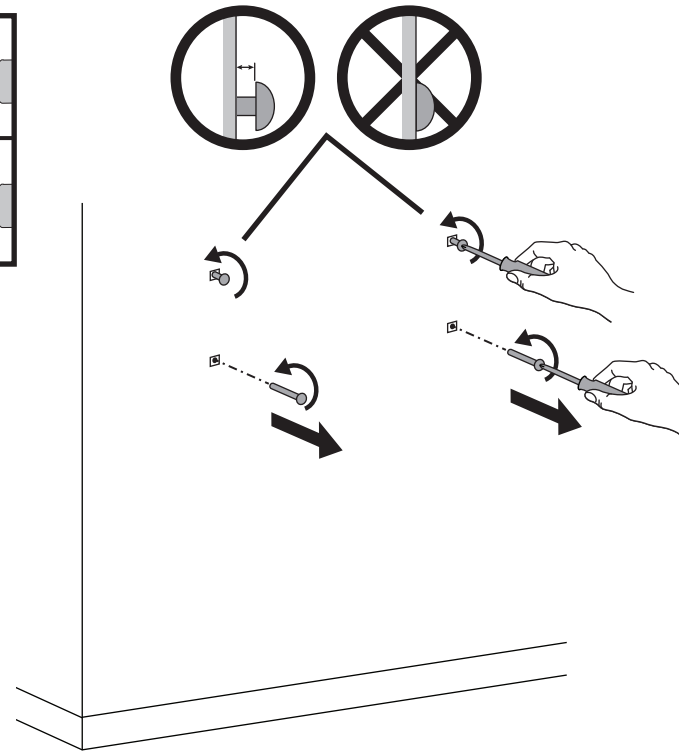
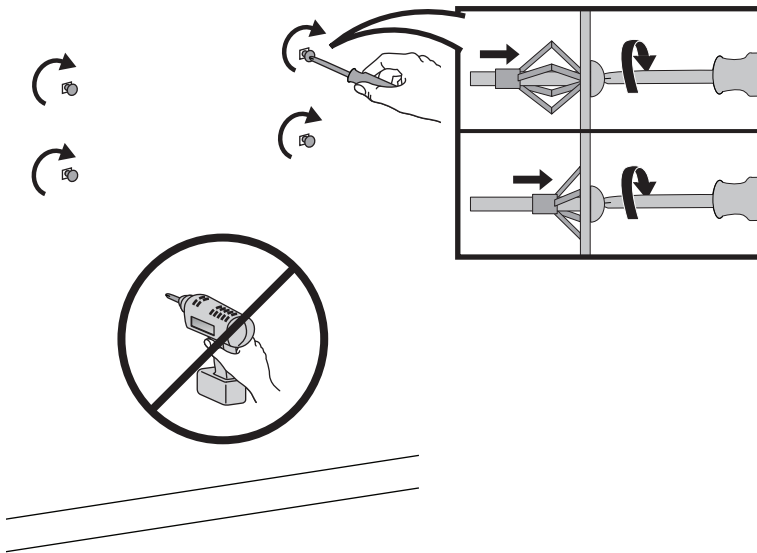
Wall Mounted

HOLLOW WALL



4 a Tighten wall anchor by screwing in until you feel some good resistance.

b Remove the bottom two screws from anchors. Loosen the top two screws just enough to hang the charger on.

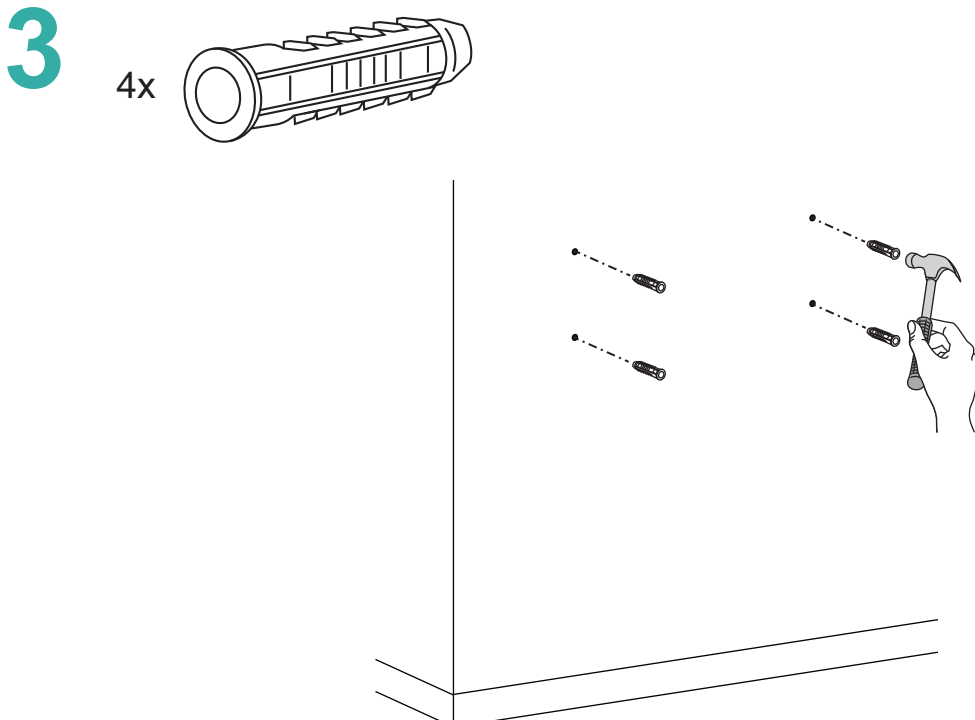
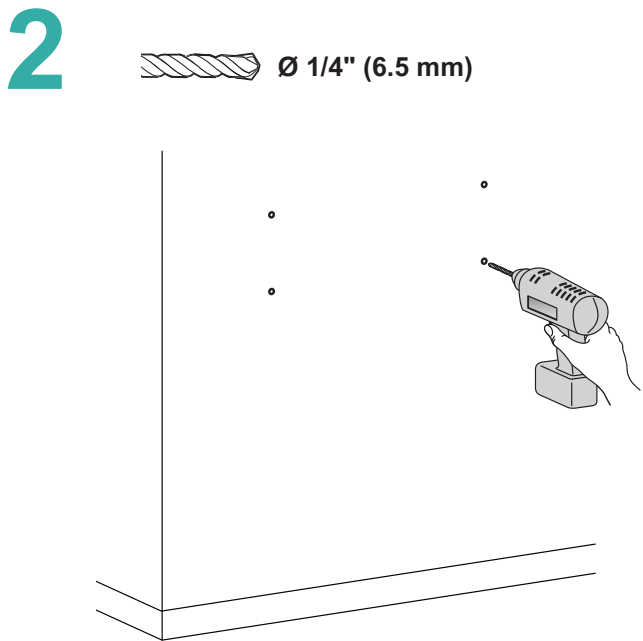
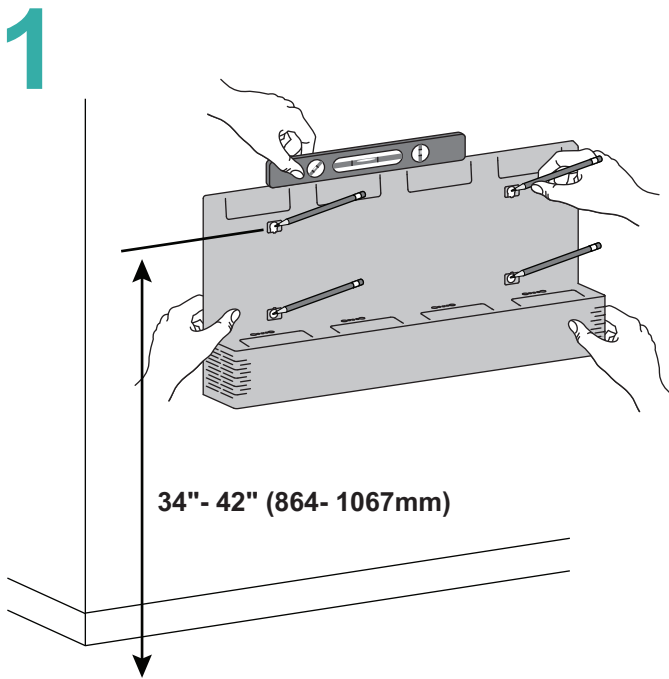
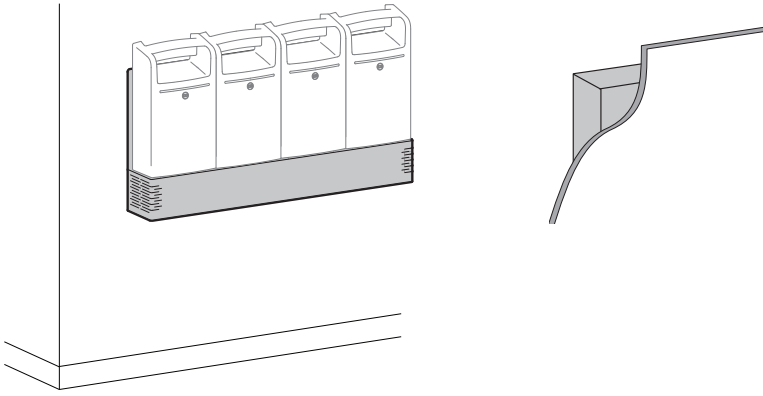


Skip to Page 14 to continue installation.



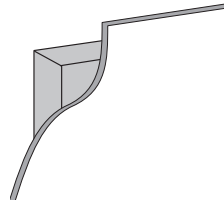
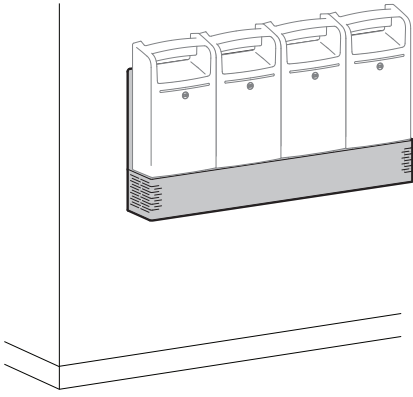
Wall Mounted

CONCRETE



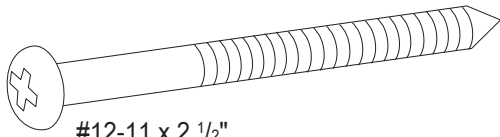
Wall Mounted

CONCRETE

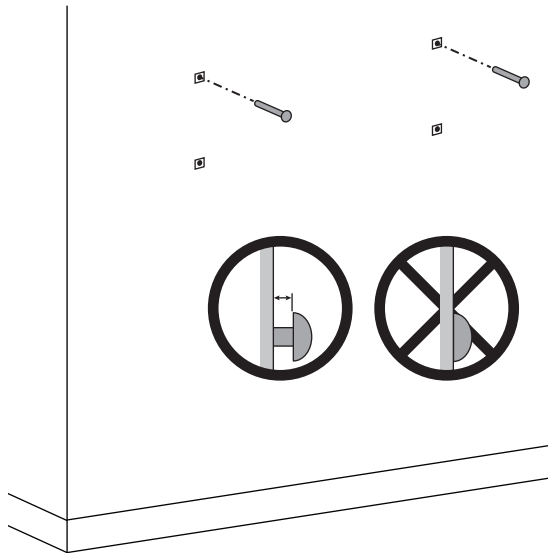


4

2x



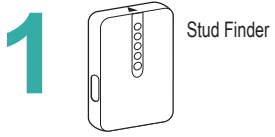
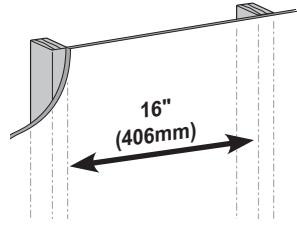
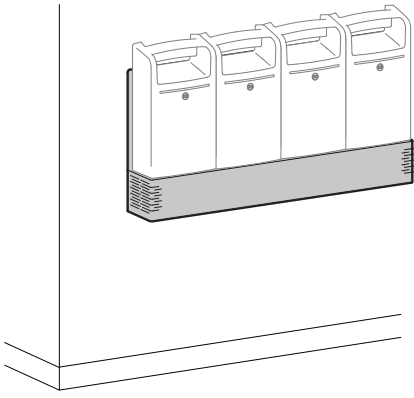
#12-11 x 2 1/2"



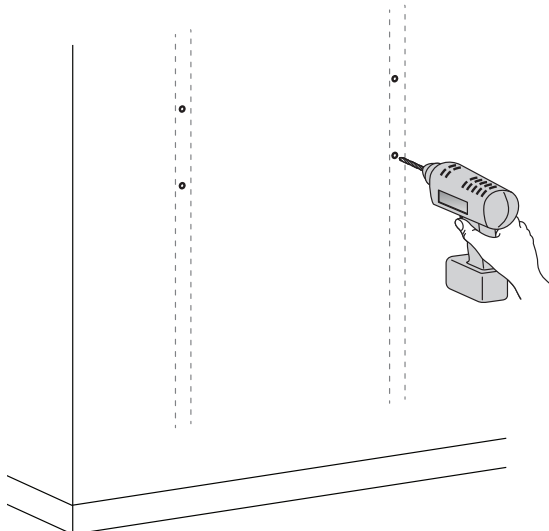
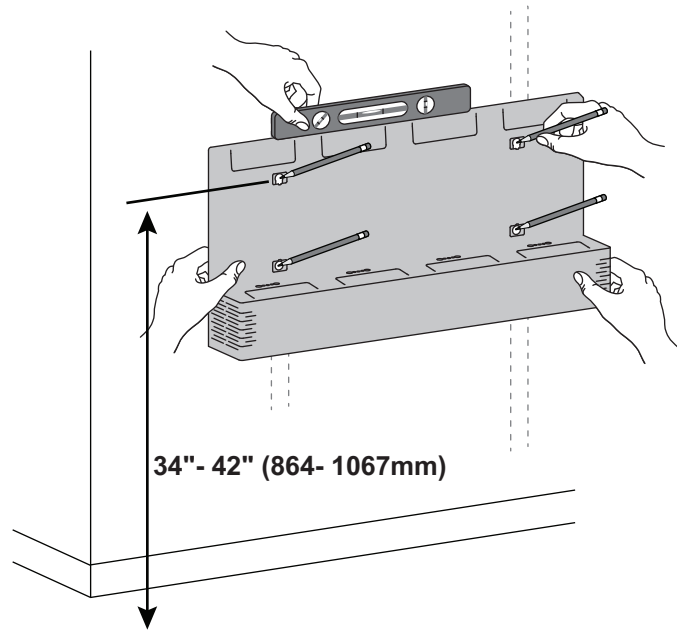
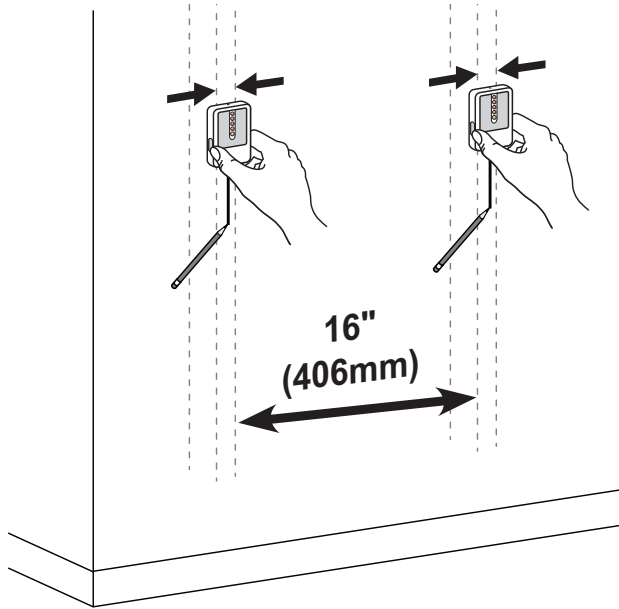
Skip to Page 14 to continue installation.  **14**

Wall Mounted

WOOD

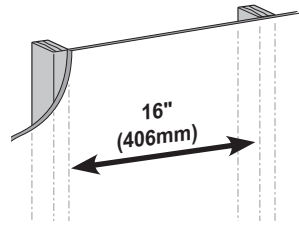
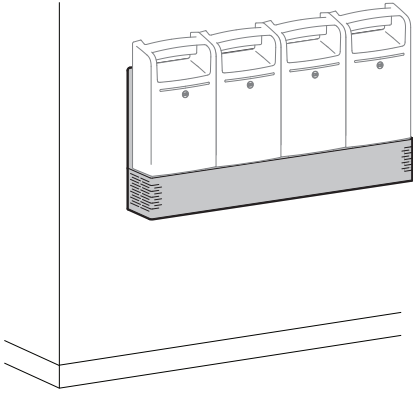


2



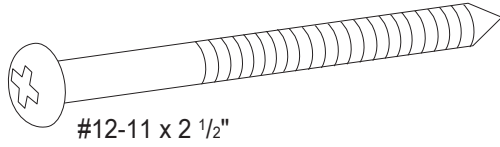
Wall Mounted

WOOD

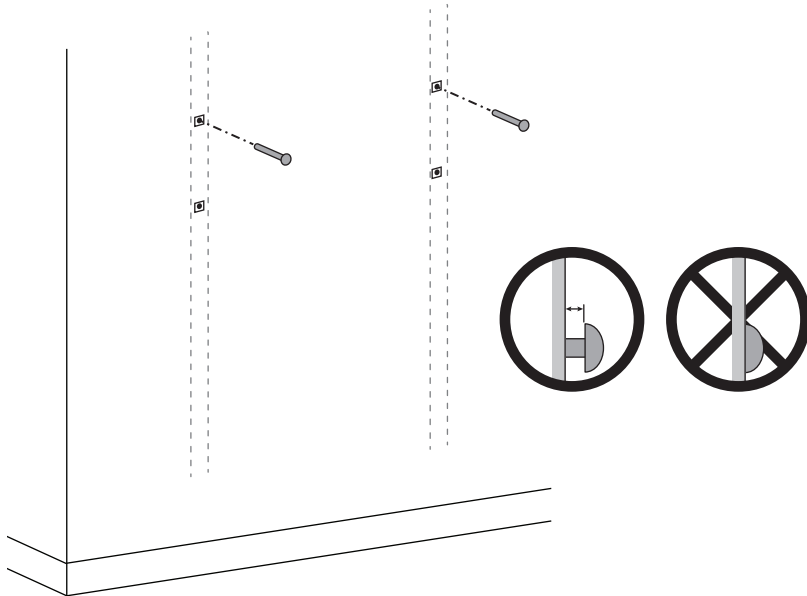


4

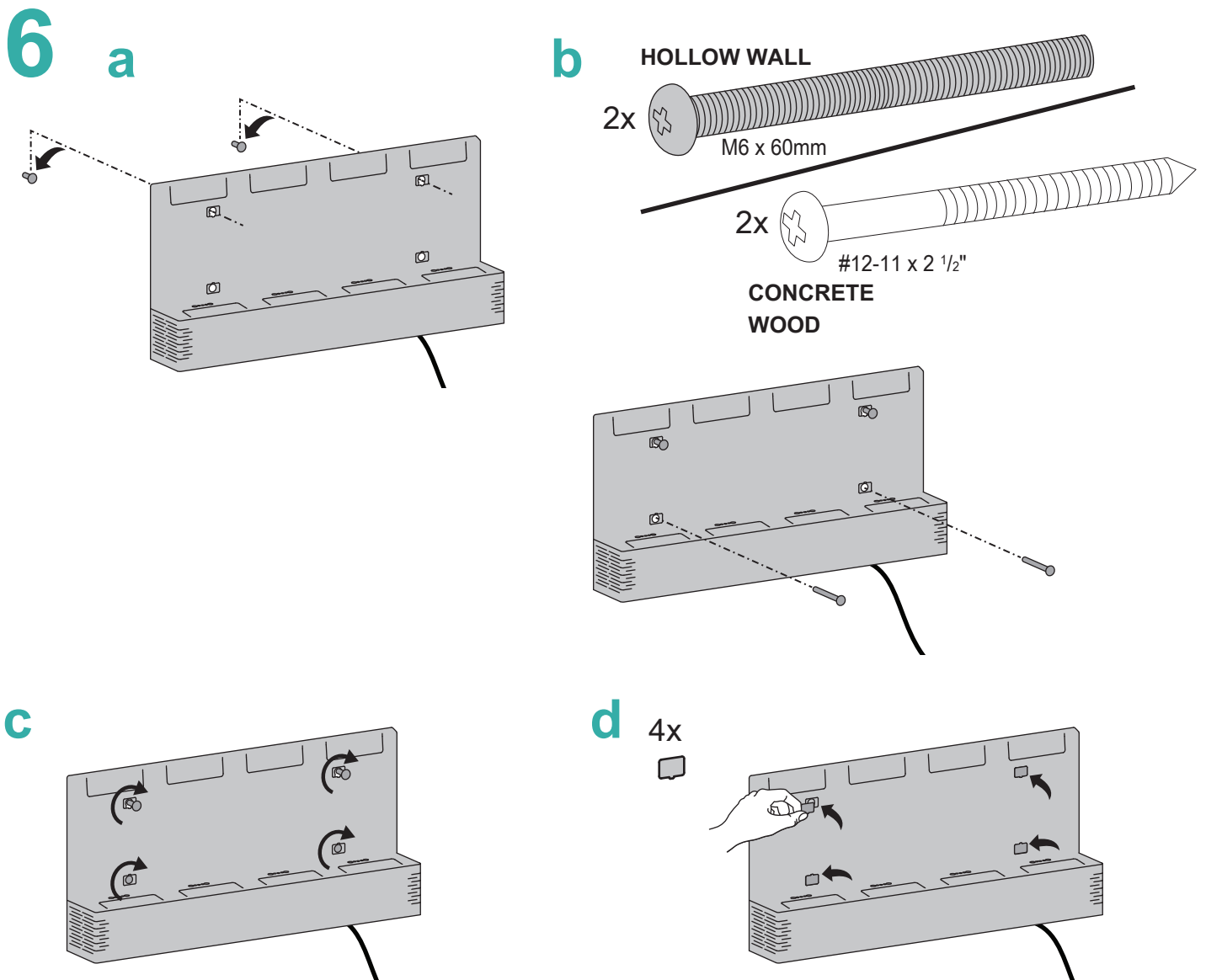
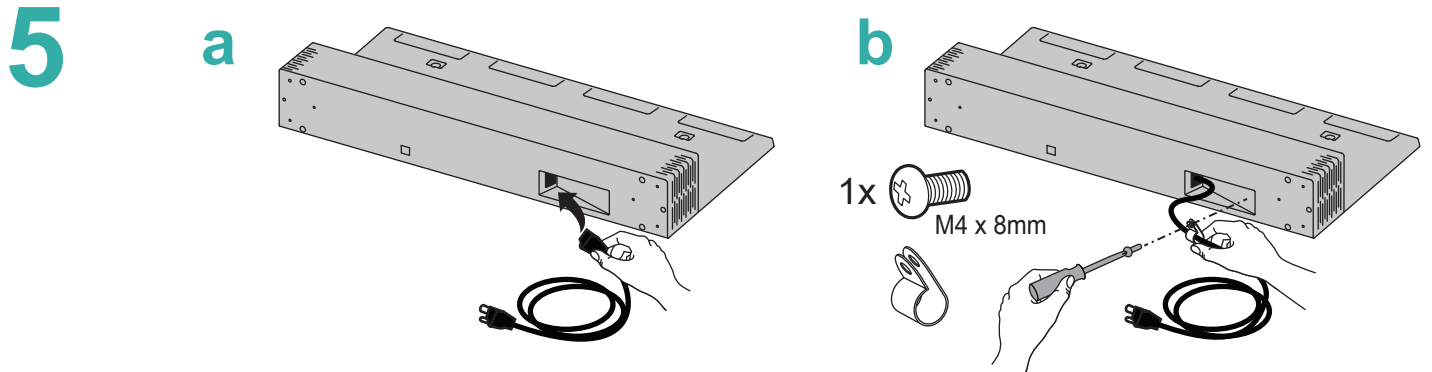
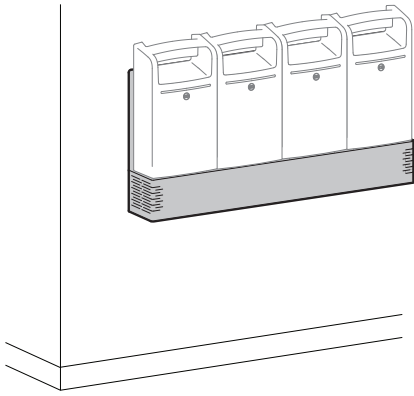
2x



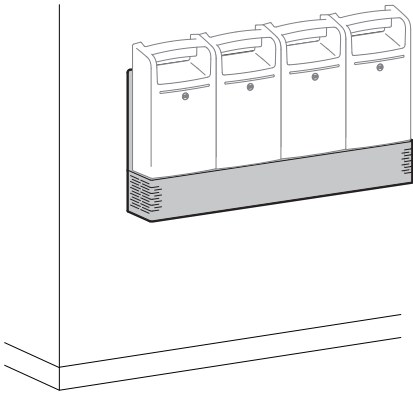
#12-11 x 2 1/2"



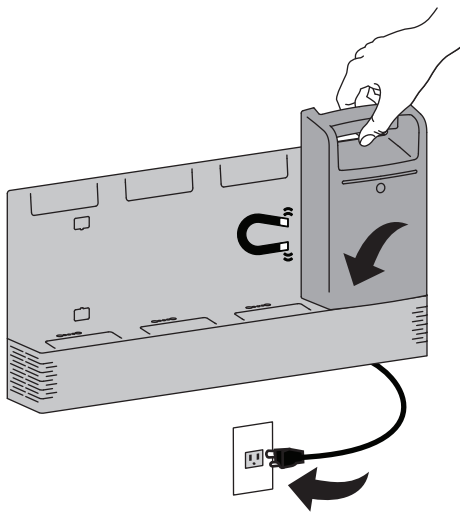
Wall Mounted



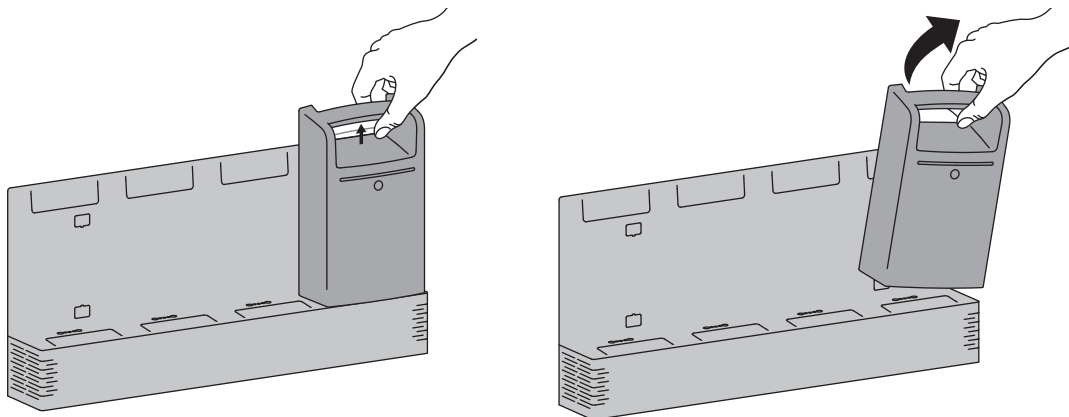
Wall Mounted



- 7** Dock Batteries on Charging Station and plug Charging Station into wall outlet. (Batteries Sold Separately.) Batteries use magnets to attach to Charging Station.



To Remove Battery, squeeze handle and pull off.



Instructions on connecting device to Wi-Fi network can be found at www.ergotron.com/lifeinnex

SERVICE AND MAINTENANCE

The Charger shall be installed and repaired by qualified personnel only.

The cleaning and preventive inspection should be performed by individuals with previous training.

Prior to cleaning or storing the Charger for extended periods, the system should be powered off. To do this, unplug the AC power source and remove all batteries.

Cleaning methods include:

Use a vacuum to clean out the dust from the opening of the fan and contact pin of the power bay.

Dampen cloth with water or other non-abrasive, non-corrosive solution to clean the surface.

Do not use any alcohol or ammonia based solution to clean the surface.

Avoid spilling liquid into or on the Charger.

When not using the battery for long periods, battery should be fully charged before storage and charged regularly during storage.

Keep spring pin contacts free of dust and debris.



EQUIPMENT & ACCESSORIES DISPOSAL

1. Please dispose of or recycle all batteries in accordance with local law
2. All Electronics should be recycled through an electronics recycler.
3. Remaining plastics and metals can be recycled through a commercial recycler.

ERGOTRON ELECTROMAGNETIC GUIDANCE AND MANUFACTURER'S DECLARATION

Guidance and Manufacturer's Declaration – Electromagnetic Emissions		
The Power Module is intended for use in the electromagnetic environment specified below. The customer or the user of the Power Module should assure that it is used in such an environment.		
Emissions Test	Compliance	Electromagnetic environment – guidance
RF Emissions CISPR 11	Group 1	The Power Module uses RF energy only for its internal function. Therefore, its RF emissions are very low and unlikely to cause any interference in nearby electronic equipment. The Power Module is suitable for use in all establishments other than domestic and those directly connected to the public low-voltage power supply network that supplies buildings used for domestic purposes.
RF Emissions CISPR 11	Class A	
Harmonic Emissions IEC 61000-3-2	Class A	
Voltage fluctuations/ flicker emissions IEC 61000-3-3	Complies	

Guidance and Manufacturer's Declaration – Electromagnetic Immunity			
The Power Module is intended for use in the electromagnetic environment specified below. The customer or the user of the Power Module should assure that it is used in such an environment.			
Immunity Test	IEC 60601 Test Level	Compliance Level	Electromagnetic environment - guidance
Electrostatic Discharge (ESD) IEC 61000-4-2	±8 kV contact ±15 kV air	Complies	Floors should be wood, concrete, or ceramic tile. If floors are covered with synthetic material, the relative humidity should be at least 30%
Radiated RF EM fields IEC 61000-4-3	10V/m 80 MHz – 2.7 GHz	complies	
Radiated RF EM fields: Proximity fields from RF wireless communications equipment IEC 61000-4-3	IEC 60601-1-2:2014 table 9	complies	WARNING: Portable RF communications equipment (including peripherals such as antenna cables and external antennas) should be used no closer than 30 cm (12 inches) to any part of LifeKinnex Power Module, including cables specified by the manufacturer. Otherwise, degradation of the performance of this equipment could result.
Electrical Fast Transient/Burst IEC 61000-4-4	±2 kV for power supply lines	Complies	Mains power quality should be that of a typical commercial or hospital environment.
Surge IEC 61000-4-5	±1 kV differential mode ±2 kV common mode	Complies	Mains power quality should be that of a typical commercial or hospital environment
Conducted Immunity IEC 61000-4-6	3 V rms 0.15 MHz – 80 MHz 6 V rms (ISM) 80 % AM at 1 kHz	complies	
Voltage Dips, short interruptions, and voltage variations on power supply input lines IEC 61000-4-11	0% Ut for 0.5 cycle 70% Ut for 25 cycles 0% Ut for 5 seconds	Complies	Mains power quality should be that of a typical commercial or hospital environment.
Power Frequency (50/60 Hz) Magnetic Field IEC 61000-4-8	30 A/m	Complies	Power frequency magnetic fields should be at levels characteristic of a typical location in a typical commercial or hospital environment.
Note: U_T is the AC mains voltage prior to application of the test level			

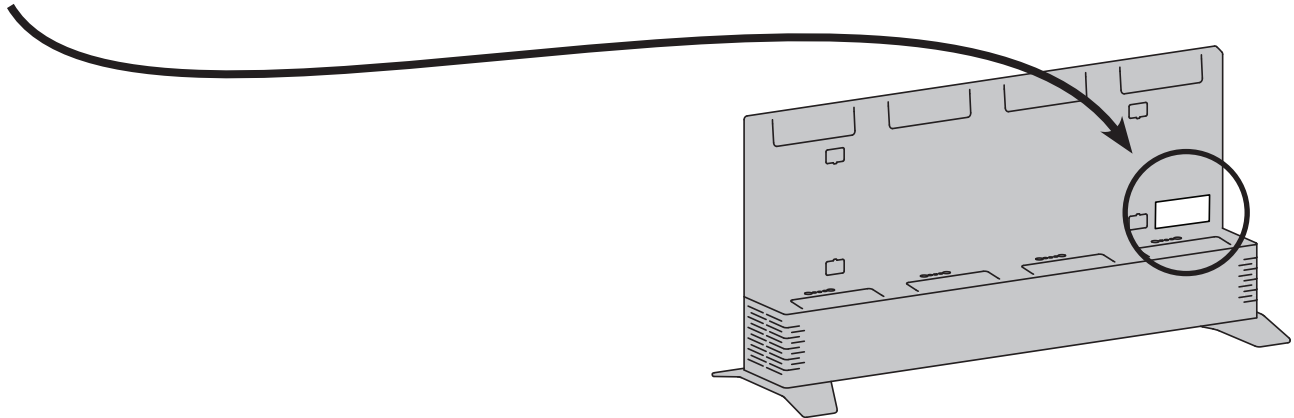
If you are experiencing problems with your charger or batteries, reference the troubleshooting guide located here:
<https://www.ergotron.com/en-us/support/software/ekinnex-for-lifekinnex>

For Warranty visit: www.ergotron.com/warranty

For Service visit: www.ergotron.com

For local customer care phone numbers visit: <http://contact.ergotron.com>

NOTE: When contacting customer service, reference the serial number.



ergotron®

www.ergotron.com | USA: 1-800-888-8458 | Europe: +31 (0)33-45 45 600 | China: 400-120-3051 | Japan: japansupport@ergotron.com



LiFeKinnex

© 2018 Ergotron, Inc. All rights reserved. Manufactured for Ergotron by Green Cubes Technology www.greencubestech.com.
LiFeKinnex™ is a registered trademark of Ergotron, Inc.

While Ergotron, Inc. makes every effort to provide accurate and complete information on the installation and use of its products, it will not be held liable for any editorial errors or omissions (including those made in the process of translation from English to another language), or for incidental, special or consequential damages of any nature resulting from furnishing this instruction and performance of equipment in connection with this instruction. Ergotron, Inc. reserves the right to make changes in the product design and/or product documentation without notification to its users. For the most current product information, or to know if this document is available in languages other than those herein, please contact Ergotron. No part of this publication may be reproduced, stored in a retrieval system, or transmitted in any form or by any means, electronic, mechanical, photocopying, recording or otherwise without the prior written consent of Ergotron, Inc., 1181 Trapp Road, Eagan, Minnesota, 55121, USA Patents Pending and Patented U.S. & Foreign. Ergotron is a registered trademark of Ergotron, Inc.