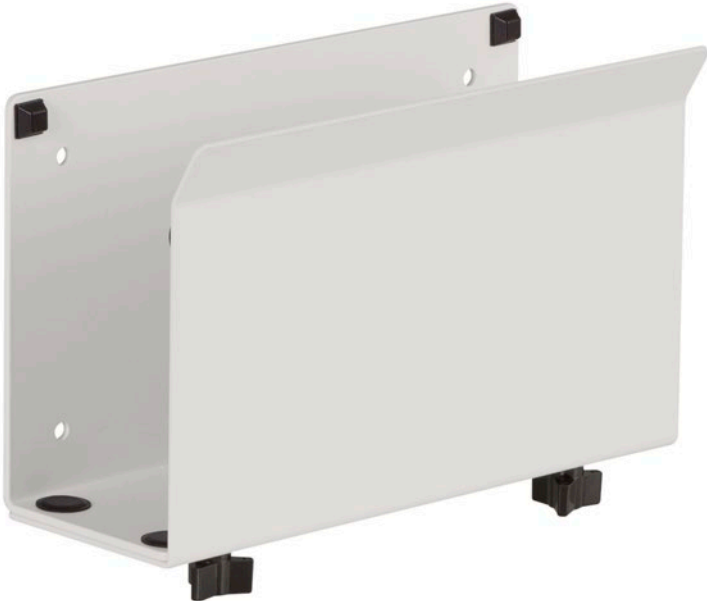


8335 - CPU HOLDERS

ACCESSORIES



HAT
DESIGN WORKS™
HUMAN ACTIVE TECHNOLOGY

CPU HOLDERS

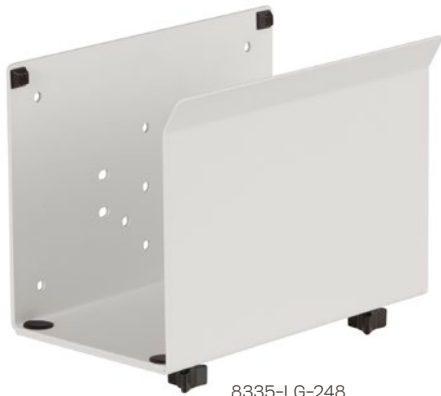
Sturdy, adjustable CPU holders. Mounts to wall or our 8326 Vertical Mounting Track.



8335-SM-248



8335-MD-248



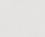
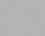

8335-LG-248

FEATURES

- **Space-Saving:** Elevates CPU to save space.
- **Safe:** Isolates CPU from hazardous static electricity.
- **Robust:** Sturdy metal construction supports most CPU's.

SPECIFICATIONS

Finishes

	Flat White 248
	Silver 124
	Vista Black 104

Dimensions

See page 3 for additional info.

Part Numbers

8335-SM-___	Small CPU Holder
8335-MD-___	Medium CPU Holder
8335-LG-___	Large CPU Holder

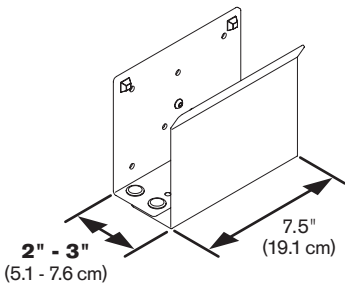
WARRANTY

10 Years

CAPABILITIES

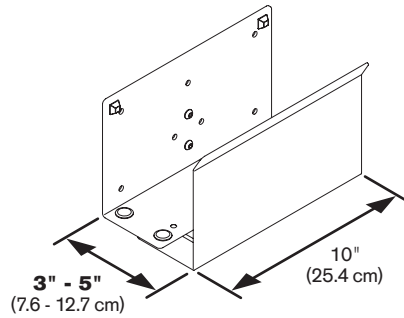
8335-SM

Width Adjustment: 2" - 3"
Weight Capacity: Up to 25 lbs.



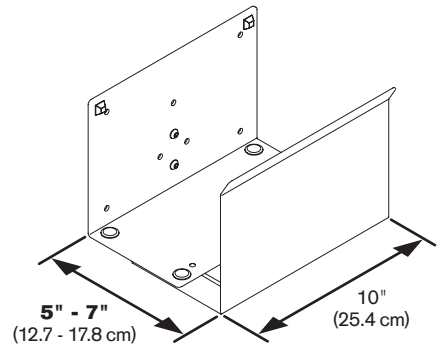
8335-MD

Width Adjustment: 3" - 5"
Weight Capacity: Up to 35 lbs.

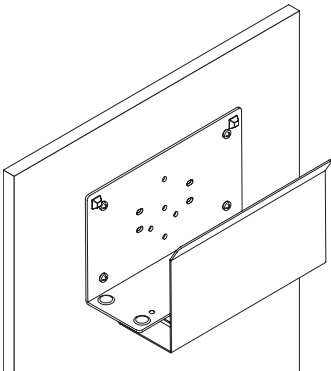


8335-LG

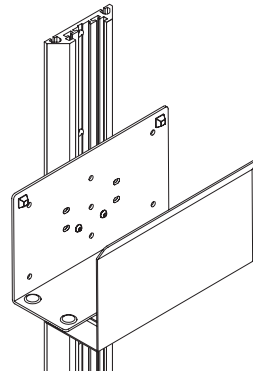
Width Adjustment: 5" - 7"
Weight Capacity: Up to 40 lbs.



MOUNTING OPTIONS



Mount to desk or wall.



Mount to wall track.
(8326 Vertical Mounting Track)