

Installation Manual

ITEM #:MW-M23WB/MW-M25WB

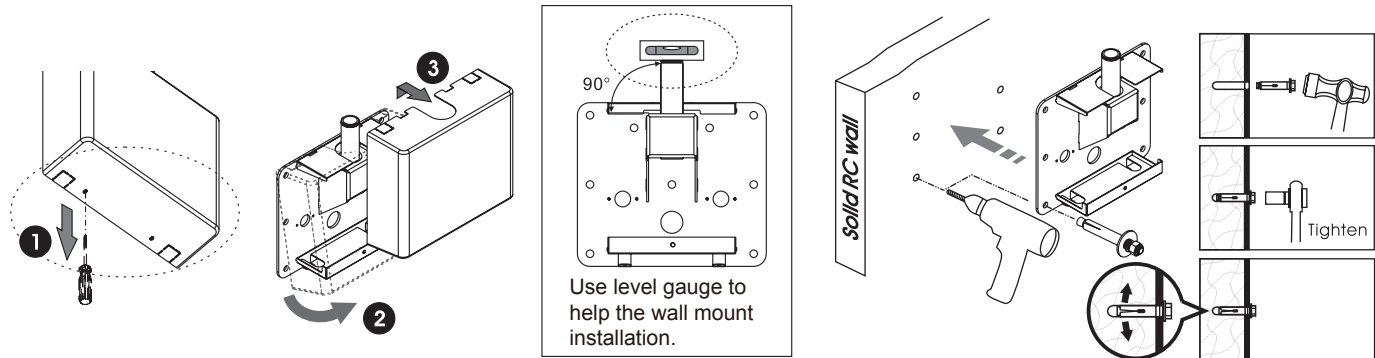
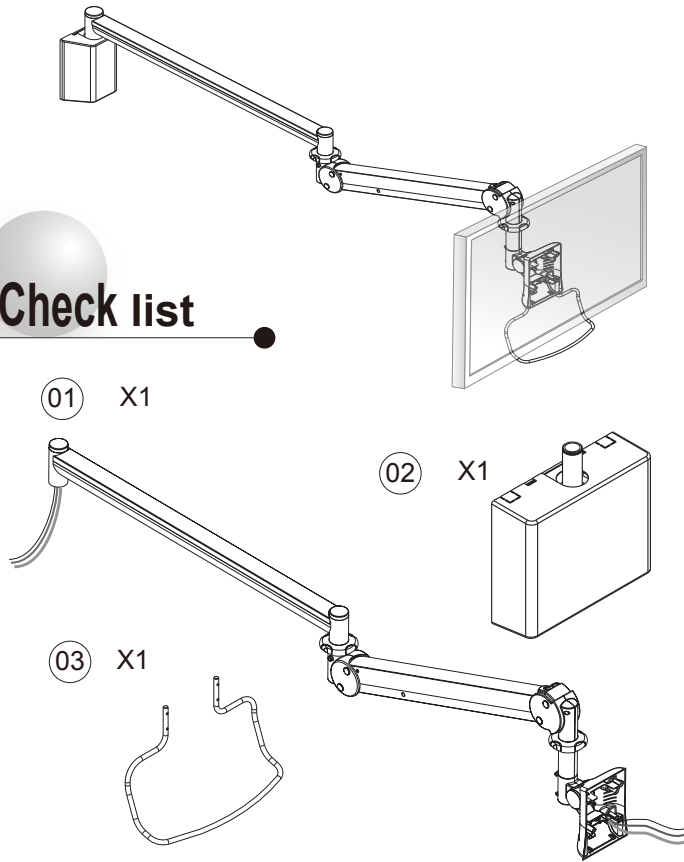


www.cotytech.com
888-891-9321

Step 1 Wall Hanger Assemble

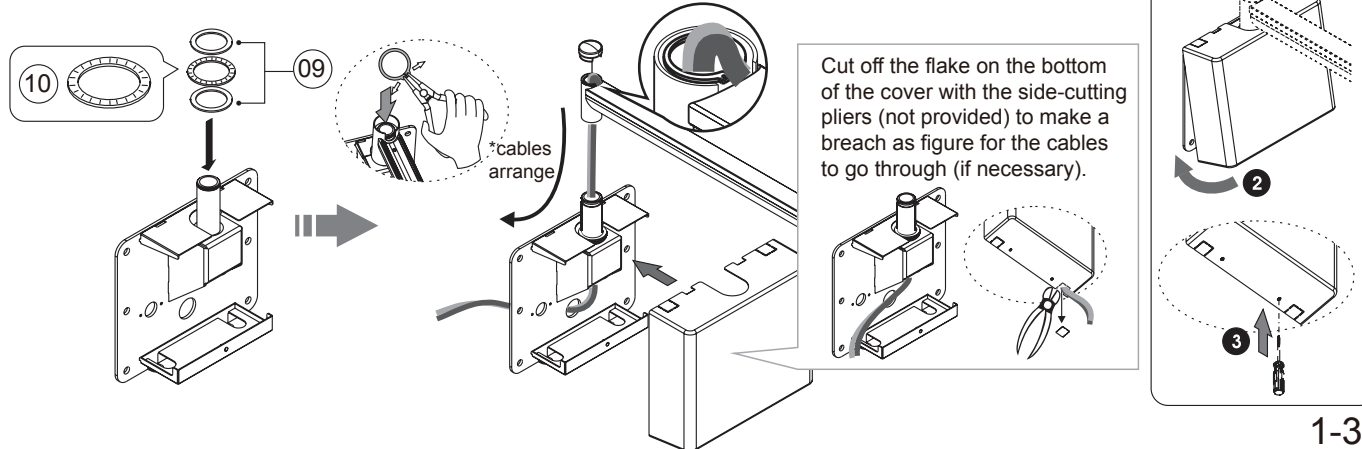
1. Make sure the substantial wall before assembling.
2. Please take screwdriver to loosen the wall hanger then take out the cover of wall hanger. Do not discard the cover of wall hanger after take it out!
3. Put the wall hanger on the exact place & height that you want and have 4 marks on the wall.
4. Install the wall hanger on the wall with 4 expansion bolts.

Check list



Step 2 Only keep the drawing on the assembly guide

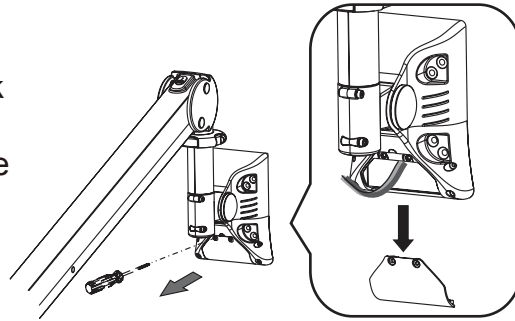
1. Place the bearings onto the spindle.
2. Place the arm onto the spindle and put the end cap on it.
3. Make sure C clip is fitted into groove of spindle securely for collecting the cables.
4. Fix the cover on the wall mount and screw the cover.



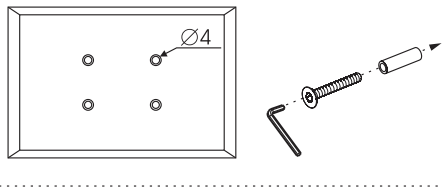
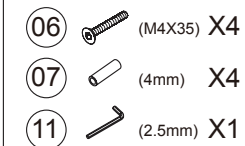
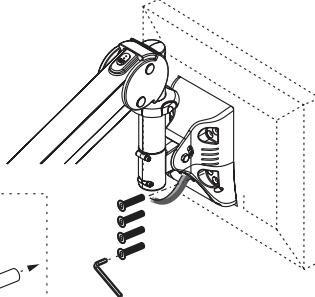
04		(M4X12) X4	10		X1
05		(M6X40) X4	11		(2.5mm) X1
06		(M4X35) X4	12		(4mm) X1
07		X4	13		X1
08		X6	14		(13") X1
09		X2			

Step 3 LCD Monitor Assemble

Please remove the back cap by the screw driver (not provided) as shown in figure. Please keep the screws in order to screw back after the monitor installation are completed. Then pull out the cable in order to install the monitor.

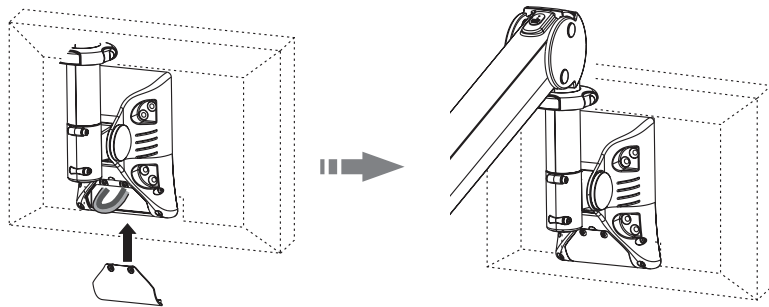


Fix the Monitor on the VESA mount using Allen Key and screws.



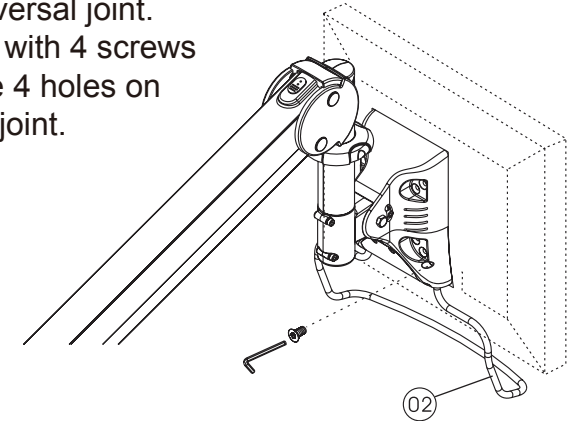
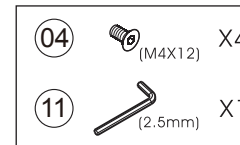
Step 4 Cables Arrange

Please insert the cable to the monitor, complete the circuit and then fix the cap.



Step 5 LCD Monitor grab handle

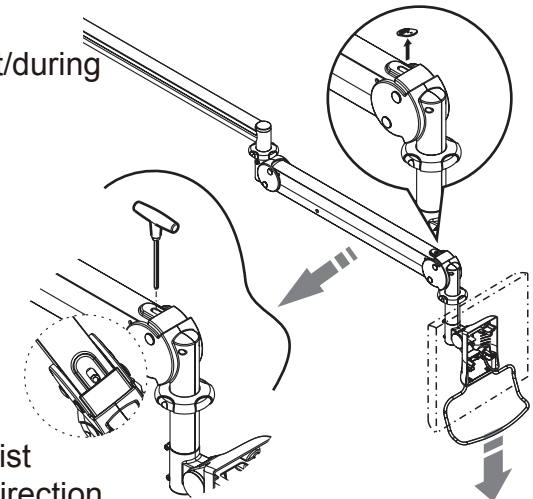
1. Please insert the grab handle into the 2 holes on the bottom of universal joint.
2. Then fix the grab handle with 4 screws by 2.5 mm Allen Key to the 4 holes on the lower part of universal joint.



Adjustment For Loading

Caution for weight capacity adjustment:

1. Make sure you have checked out the weight of the panel you wish to mount.
2. Support the arm throughout/during assembly.
3. Pull down the arm and take out the upper cap (See as below figure) when adjust.



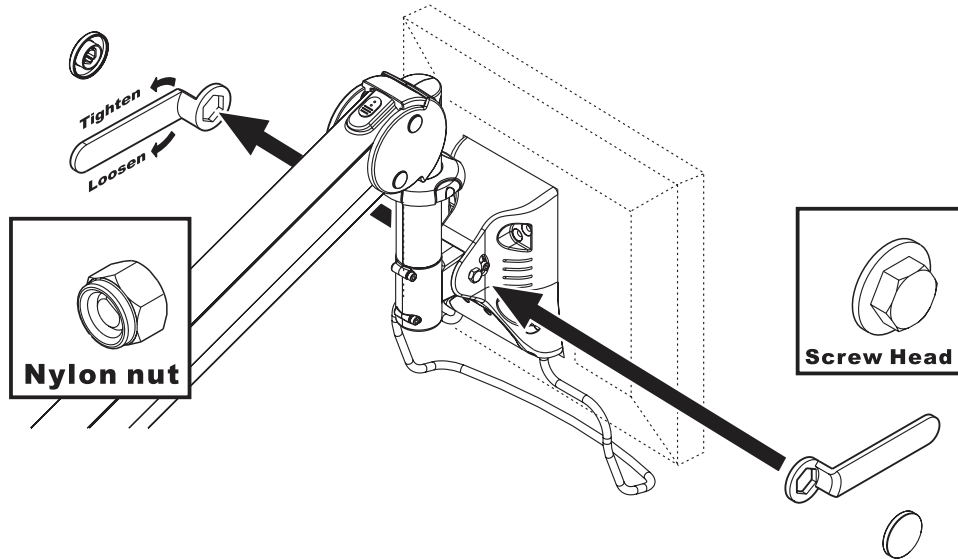
Adjustment:

Use the Allen key provided to adjust the weight capacity. Twist the Allen key in a clockwise direction for more weight; counterclockwise direction for less weight.

Adjusting Universal Joint Tension

When assembling the arm with monitors of different weights.

You may find that the tension of the universal joint needs to be adjusted to ease movement or to maintain the desired monitor position, if so, adjust as follows:



- Remove the plastic universal joint cover.
- Find the nylon nut (not the screw head) and use the provided wrench to adjust the tension. Fix the screw head by wrench at the same time when adjust.
- Use one hand to support the monitor and adjust the tension of the universal joint.
 - Clockwise :more tension
 - Counterclockwise :less tension
- When the desired tension is achieved, replace the plastic cover.

Caution:

Support the monitor during the adjustment procedure.
Only adjust the nylon nut (not the screw head).
Do not disassemble the universal joint.

Safety Notes

- Once assembled DO NOT dis-assemble.
- Make sure that mounting screws are suitable for the vertical surface and adequate to hold the weight of the arm and the monitor.
- Support the monitor and arm throughout assembly and mounting.
- Keep small parts out of the reach of children.

<p>● Make sure that the vertical surface is substantial to take the weight of the arm and monitor.</p> <p>Solid RC wall Solid RC ceiling</p>	<p>● Do Not Swing on Arm.</p>
<p>● Only use with LCD/TFT monitors that are VESA compliant-75/75mm, 100/100mm.</p> <p>100 75 LCD/TFT monitor</p>	<p>● Do not hold the arm as support to get up.</p>
<p>● Monitors to be mounted should not weigh any more than between.</p>	<p>● Do not hang unnecessary objects on the arm.</p>