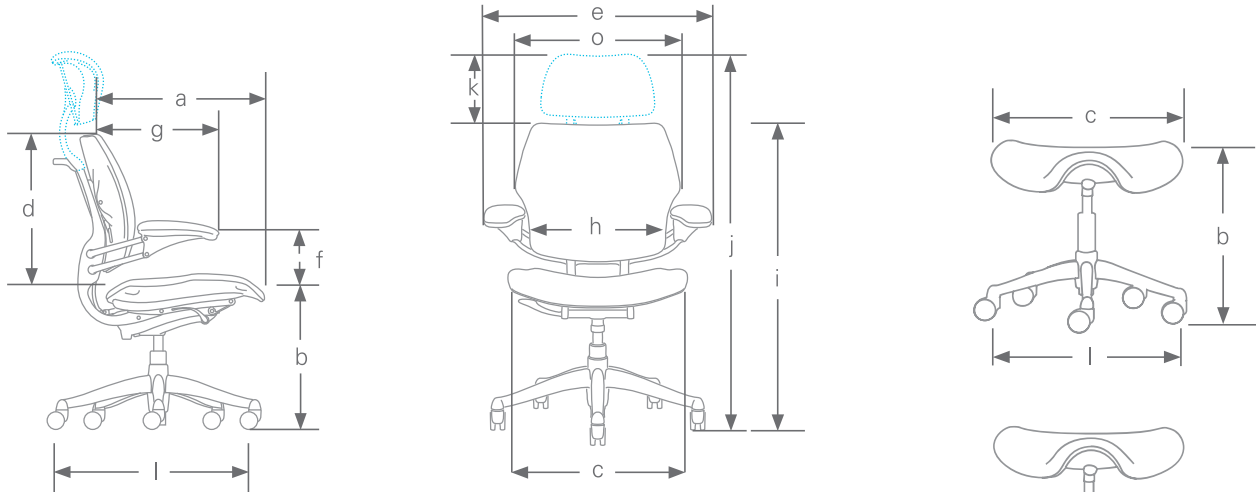


FREEDOM Specifications



CODE	DESCRIPTION	MEASUREMENT
a	Seat Depth (from face of lumbar to front of seat)	17.40" - 19.85"
b	Seat Height (floor to compressed front center of seat cushion)	16.125" - 20.25" standard cylinder chair 17" - 22.35" tall-cylinder chair 20.25" - 27.75" high-cylinder chair 23.25" - 33.125" extra high-cylinder chair 17.5" - 22.25" return to height cylinder chair
	Headrest and Task	17.3" - 22.1" standard cylinder stool 16.7" - 20.2" low-cylinder stool
	Saddle and Pony	18.2" - 23.2" tall-cylinder stool 19.9" - 27.5" high cylinder stool 22.4" - 32.5" extra-high cylinder with glides
c	Seat Width	21" chair 22" Saddle seat 16" Pony Saddle seat
d	Backrest Height (from seat cushion to top of backrest)	18" - 20.9" 3" in 0.25" increments
e	Chair Width	26.75" with arms 21.1" without arms
f	Armrest Height (compressed seat cushion to top of armrest)	3.75" - 9.6"
g	Armrest Length (from face of lumbar to front of armrest)	8.8"
h	Distance between armrests (front inside edge)	19" standard 18.25" - 21.25" advanced
i	Height, Task Chair	34.625" - 41.775" standard cylinder 36.125" - 44.025" tall-cylinder 39.0" - 49.4" high-cylinder 35.25" - 40.775" 3" return to height cylinder 35.5" - 40.775" 5" return to height cylinder
j	Height, Task Chair with Headrest	42.375" - 54.275" standard cylinder 43.875" - 56.525" tall-cylinder 46.75" - 61.9" high-cylinder 43.0" - 53.275" 3" return to height cylinder 43.0" - 53.275" 5" return to height cylinder
k	Headrest Height Adjustment Range	5"
l	Base Diameter	25" chair, high or extra-high Saddle / Pony 22" standard Saddle / Pony
m	Foot Ring Diameter	18" or 21"
n	Foot Ring Height Adjustment (from floor)	6" - 11"
o	Backrest Width	21"

SCOPE OF USERS
<ul style="list-style-type: none"> Standard chair fits more than 95% of the office population <ul style="list-style-type: none"> - 5'0" Woman to 6'4" Man - 100 to 300 lbs. Users outside the standard range can be accommodated by <ul style="list-style-type: none"> - Low or Tall Cylinder - Advanced Armrests
WEIGHT
<ul style="list-style-type: none"> 38 lbs. Headrest with arms 34 lbs. Headrest without arms 34 lbs. Task with arms 30 lbs. Task without arms 14 lbs. Saddle 20 lbs. Saddle with Foot Ring 14 lbs. Pony Saddle 18 lbs. Pony Saddle with Foot Ring
BACKREST RECLINE
<ul style="list-style-type: none"> 22° recline plus 7° backrest tilt
REFERENCE ANGLE BETWEEN SEAT AND BACK
<ul style="list-style-type: none"> 100° to 129°
HEADREST RADIAL MOTION
<ul style="list-style-type: none"> 30°