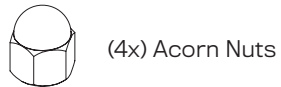
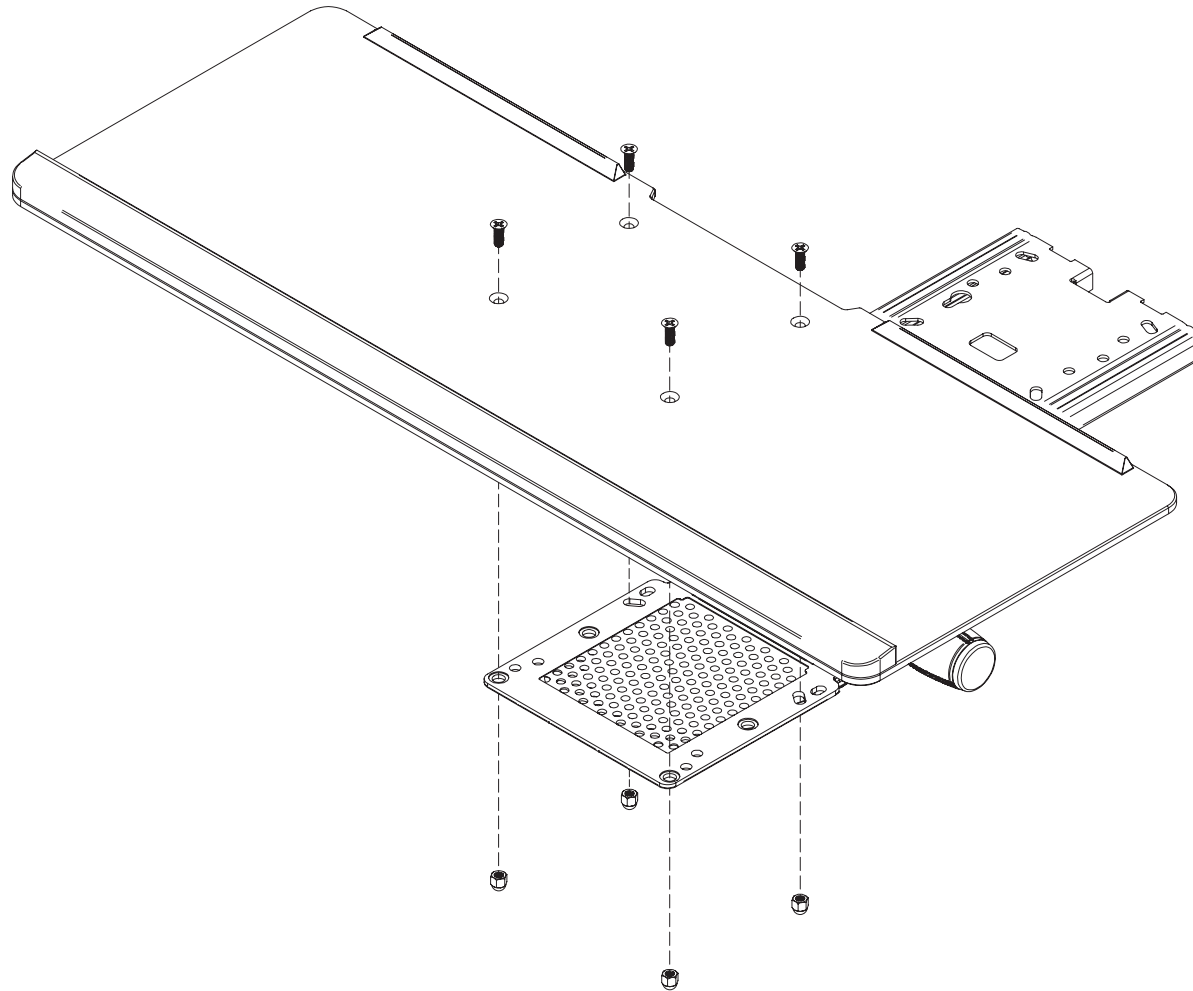


Hardware Included:



Tools Needed:

Phillips Head Screwdriver
8mm Wrench



1. Tape this mounting template to the underside of work surface.
2. Drill two (2) 1/8" diameter x 1/2" deep pilot holes at marked locations. Be careful not to drill through the work surface.
3. Remove template and install one (1) #12 x 3/4" wood screw into the front pilot hole. Leave a gap of approximately 1/8" between the head of the screw and the work surface.
4. Slide baseframe onto screw, using the front keyhole slot. Locate the second drilled pilot hole and insert a #12 x 3/4" wood screw through the slotted hole and tighten both screws. Drive additional screws as required, minimum four (4).

