



PRINTER TRAY WALL MOUNTS

ACCESSORIES



HAT
DESIGN WORKS™
HUMAN ACTIVE TECHNOLOGY

FLEXIBLE. ADJUSTABLE. SECURE.

Wall mount your receipt printer for easier reach and protect it from spills or hot kitchen equipment. Flexible swiveling mount allows the printer to be moved and repositioned as needed.



MNTR10-WM-08B

FEATURES

- **Extension:** Includes 8" extension arm (additional extension arms can be added for greater flexibility).
- **Adjustable:** Tension adjustment at joints.

SPECIFICATIONS

Finishes



Black
B

Dimensions

Printer Tray Sizes:

MNTR11-WM-08B: 5.5" W x 5.8" L

MNTR10-WM-08B: 5.7" W x 7.7" L

MNTR12-WM-08B: 10.3" W x 10.8" L

Extension Arm Length: 8"

Part Numbers

MNTR11-WM-08B Small Printer Tray

MNTR10-WM-08B Medium Printer Tray

MNTR12-WM-08B Large Printer Tray

Accessories

MNEA10-04B 4" Extension Arm

MNEA10-08B 8" Extension Arm

MNEA10-12B 12" Extension Arm



MNTR11-WM-08B



MNTR10-WM-08B



MNTR12-WM-08B

WARRANTY

10 Years

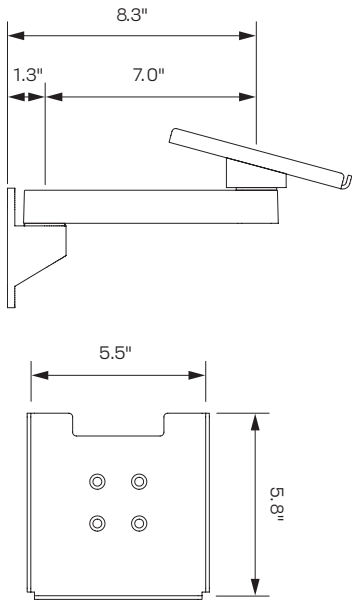


HAT
DESIGN WORKS™
HUMAN ACTIVE TECHNOLOGY

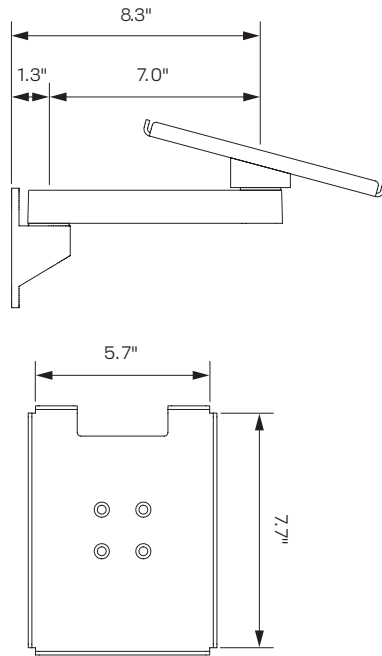
800 524 2744 hatdw.com

CAPABILITIES

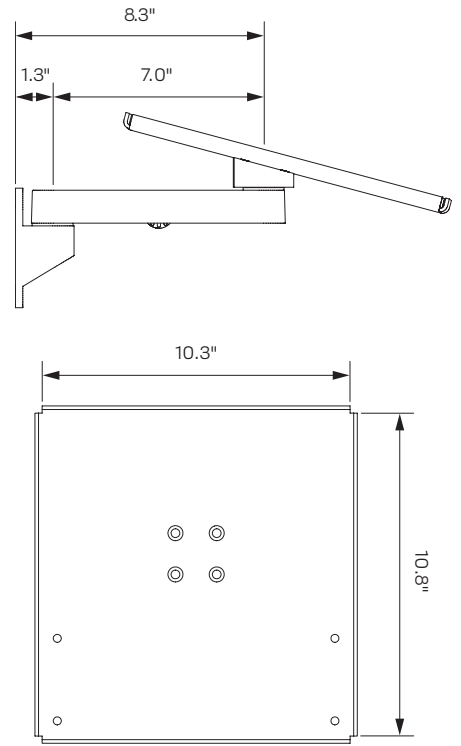
MNTR11-WM-08B



MNTR10-WM-08B



MNTR12-WM-08B



Mount
(All Models)

