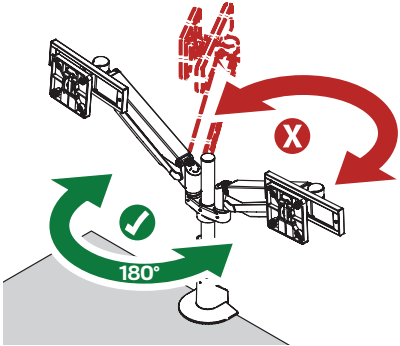


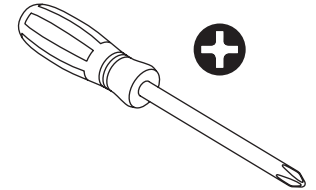
IMPORTANT INSTRUCTIONS

WARNING


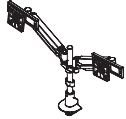
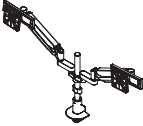
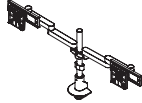
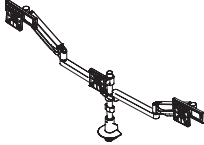
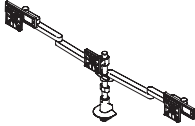

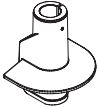



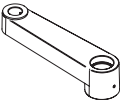
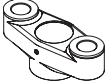
- Do not use power tools during assembly.
- The monitors shall not be positioned behind the edge of the desk.
- It is highly recommended to engage the 180° lockout screw.




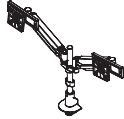
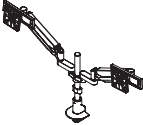
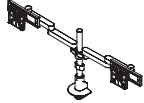
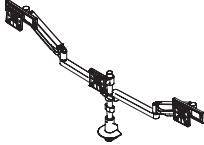
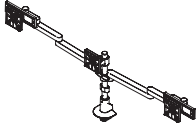

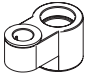


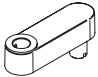
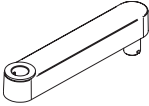
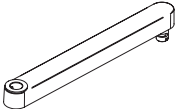
TOOLS REQUIRED




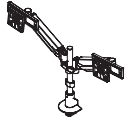
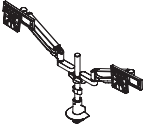
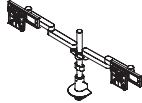
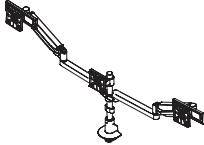
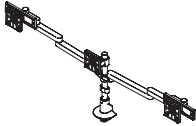

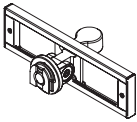
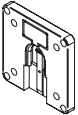
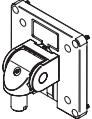


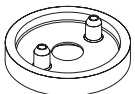
PARTS LIST

	E2-01-SD	E2-02-D	E2-02-SD	E2-02-SS	E2-03-SD	E2-03-SSS	E2-11-HD
							
A Top Down Mount 	1x	1x	1x	1x	1x	1x	1x
B 14" Pole w/Collar 	1x	-	-	-	-	-	-
C 14" Pole 	-	1x	1x	1x	1x	1x	-
D 28" Pole 	-	-	-	-	-	-	1x
E LCD Forearm 	1x	-	-	-	-	-	-
F Dual Yoke 	-	1x	1x	1x	1x	1x	-



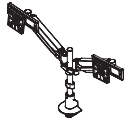
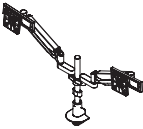
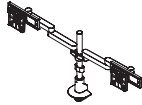
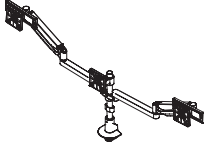
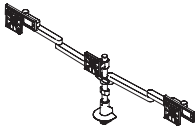

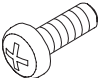
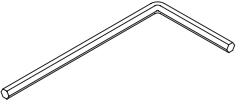



PARTS LIST CONTINUED

	E2-01-SD	E2-02-D	E2-02-SD	E2-02-SS	E2-03-SD	E2-03-SSS	E2-11-HD
							
G Single Yoke 	-	-	-	-	1x	1x	-
H Dynamic Arm 	1x	2x	2x	-	2x	-	-
I Spacer 	1x	2x	2x	-	2x	-	-
J 4" Extension 	-	-	2x	-	-	2x	-
K or K1 8" Extension 	-	-	-	4x	-	2x	-
L 12" Extension 	-	-	-	-	2x	2x	-

PARTS LIST CONTINUED

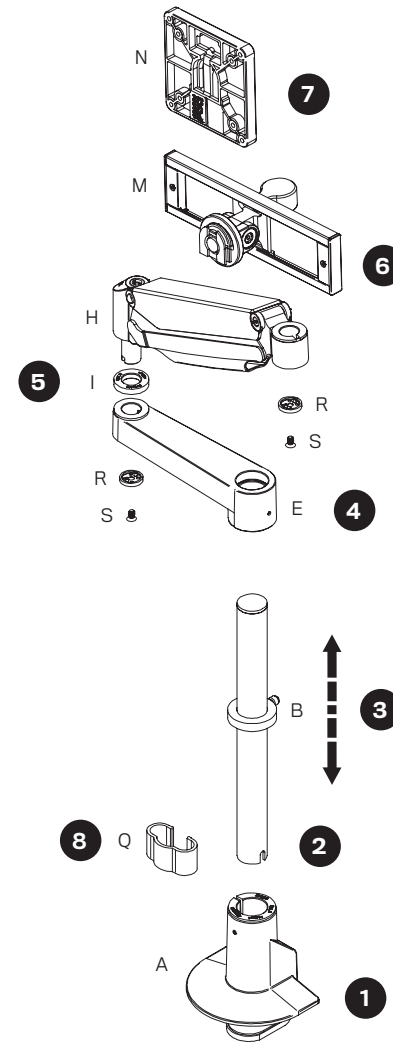
	E2-01-SD	E2-02-D	E2-02-SD	E2-02-SS	E2-03-SD	E2-03-SSS	E2-11-HD
							
M Slider 	1x	2x	2x	2x	2x	2x	-
N Quick Connect VESA Adapter 	1x	2x	2x	2x	3x	3x	-
O Next Gen Tilter 	-	-	-	-	1x	1x	-
P HD Tilter 	-	-	-	-	-	-	2x
Q Cable Clip 	1x	1x	1x	1x	1x	1x	2x
R Dog Washer 	2x	4x	6x	6x	7x	9x	2x

PARTS LIST CONTINUED

	E2-01-SD	E2-02-D	E2-02-SD	E2-02-SS	E2-03-SD	E2-03-SSS	E2-11-HD
S 10-32 x 3/8" Screw 							
	2x	4x	6x	6x	7x	9x	2x
T M4-0.7 x 12mm Screw 							
	4x	8x	8x	8x	12x	12x	8x
U 7/32" Hex Key 							
	1x	1x	1x	1x	1x	1x	1x
V 3/32" Hex Key 							
	1x	1x	1x	1x	1x	1x	1x
W 1/8" Hex Key 							
	-	-	-	-	1x	1x	-
X 4mm Hex Key 							
	1x	1x	1x	1x	1x	1x	1x

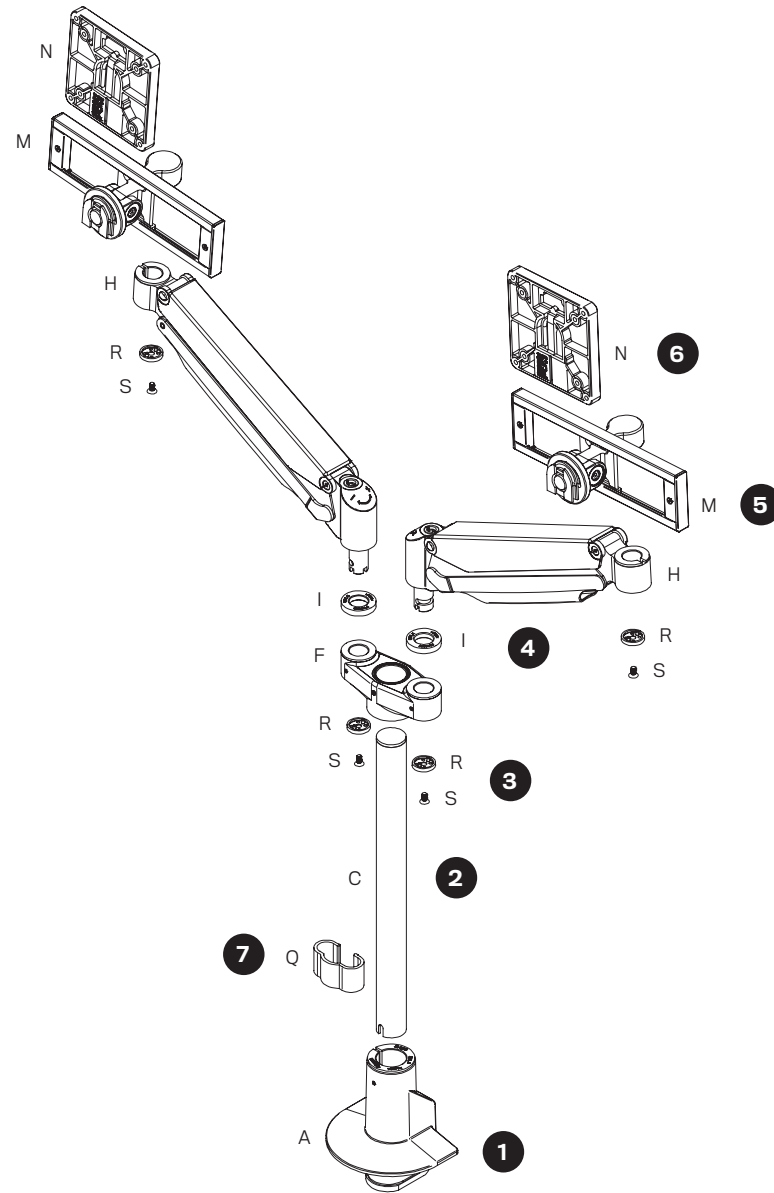
E2-01-SD

- 1 Secure Top Down Mount (A) to worksurface.
(see page 14)
- 2 Insert and secure Pole w/collar (B) into mount (A).
(see page 16)
- 3 Adjust height of the collar on the pole and hand tighten the screw.
- 4 Slide LCD Forearm (E) over pole (optional: secure it in place with the 3/32" Hex Key (V)).
- 5 Slide Spacer (I) over Dynamic arm (H) shaft and insert arm to LCD Forearm (E). Secure it with Dog Washer (R) and Screw (S).
- 6 Insert Slider (M) to Dynamic Arm (H). Secure it with Dog Washer (R) and Screw (S).
(see page 18)
- 7 Attach Quick Connect VESA Plate (N) to monitor using Screws (T) and insert it to Slider (M).
(see page 18)
- 8 Snap Cable Clip (Q) on the Pole (B).



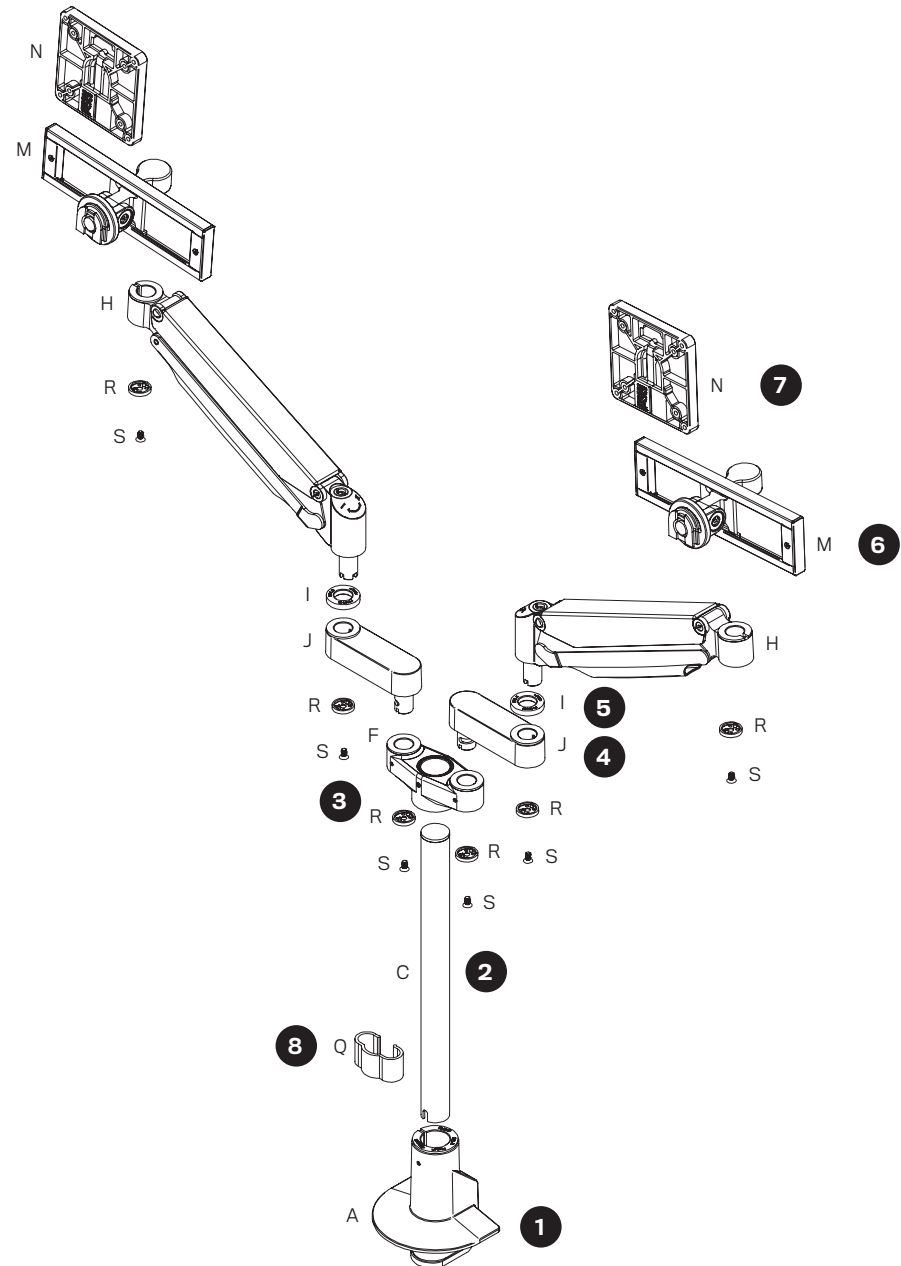
E2-02-D

- 1** Secure Top Down Mount (A) to worksurface.
(see page 14)
- 2** Insert and secure Pole (C) into mount (A).
(see page 16)
- 3** Slide Dual Yoke (F) over pole and secure it in place at desired height with the 3/32" Hex Key (V), apply 30 in-lbs torque.
(see page 17)
- 4** 2x Slide Spacer (I) over Dynamic arm (H) shaft and insert arm to Dual Yoke (F). Secure it with Dog Washer (R) and Screw (S).
- 5** 2x Insert Slider (M) to Dynamic Arm (H). Secure it with Dog Washer (R) and Screw (S).
(see page 18)
- 6** 2x Attach Quick Connect VESA Plate (N) to monitor using Screws (T) and insert it to Slider (M).
(see page 18)
- 7** Snap Cable Clip (Q) on the Pole (C).



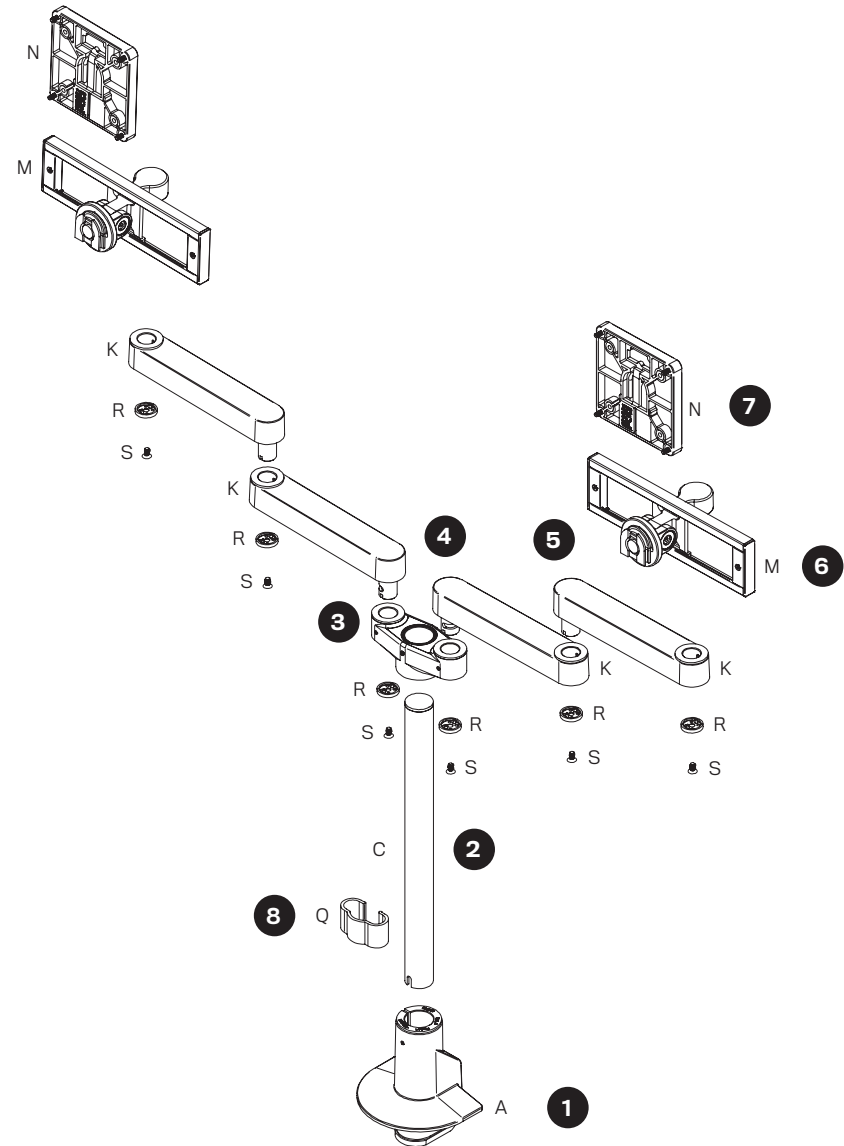
E2-02-SD

- 1 Secure Top Down Mount (A) to worksurface.
(see page 14)
- 2 Insert and secure Pole (C) into mount (A).
(see page 16)
- 3 Slide Dual Yoke (F) over pole and secure it in place at desired height with the 3/32" Hex Key (V), apply 30 in-lbs torque.
(see page 17)
- 4 2x Insert 4" Extension (J) to Dual Yoke (F). Secure it with Dog Washer (R) and Screw (S).
- 5 2x Slide Spacer (I) over Dynamic arm (H) shaft and insert arm to 4" Extension (J). Secure it with Dog Washer (R) and Screw (S).
- 6 2x Insert Slider (M) to Dynamic Arm (H). Secure it with Dog Washer (R) and Screw (S).
(see page 18)
- 7 2x Attach Quick Connect VESA Plate (N) to monitor using Screws (T) and insert it to Slider (M).
(see page 18)
- 8 Snap Cable Clip (Q) on the Pole (C).



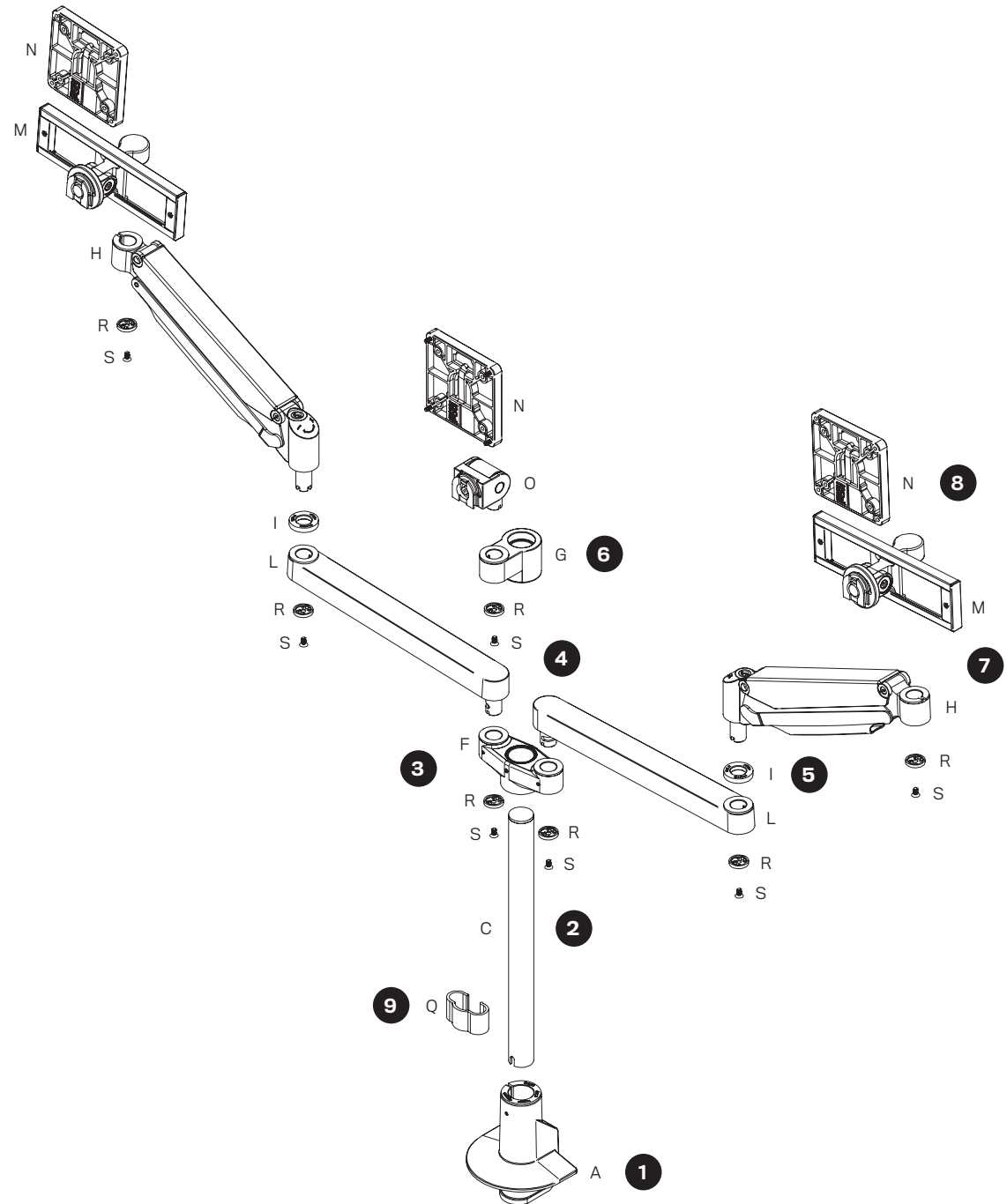
E2-02-SS

- 1 Secure Top-Down Mount (A) to worksurface.
(see page 14)
- 2 Insert and secure Pole (C) into mount (A).
(see page 16)
- 3 Slide Dual Yoke (F) over pole and secure it in place at desired height with the 3/32" Hex Key (V), apply 30 in-lbs torque.
(see page 17)
- 4 2x Insert 8" Extension (K1) with Rotational Stop Slot to Dual Yoke (F). Secure it with Dog Washer (R) and Screw (S).
- 5 2x Insert 8" Extension (K) to 8" Extension (K1) with Rotational Stop Slot. Secure it with Dog Washer (R) and Screw (S).
- 6 2x Insert Slider (M) to 8" Extension (K). Secure it with Dog Washer (R) and Screw (S).
- 7 2x Attach Quick Connect VESA Plate (N) to monitor using Screws (T) and insert it to Slider (M).
(see page 18)
- 8 Snap Cable Clip (Q) on the Pole (C),



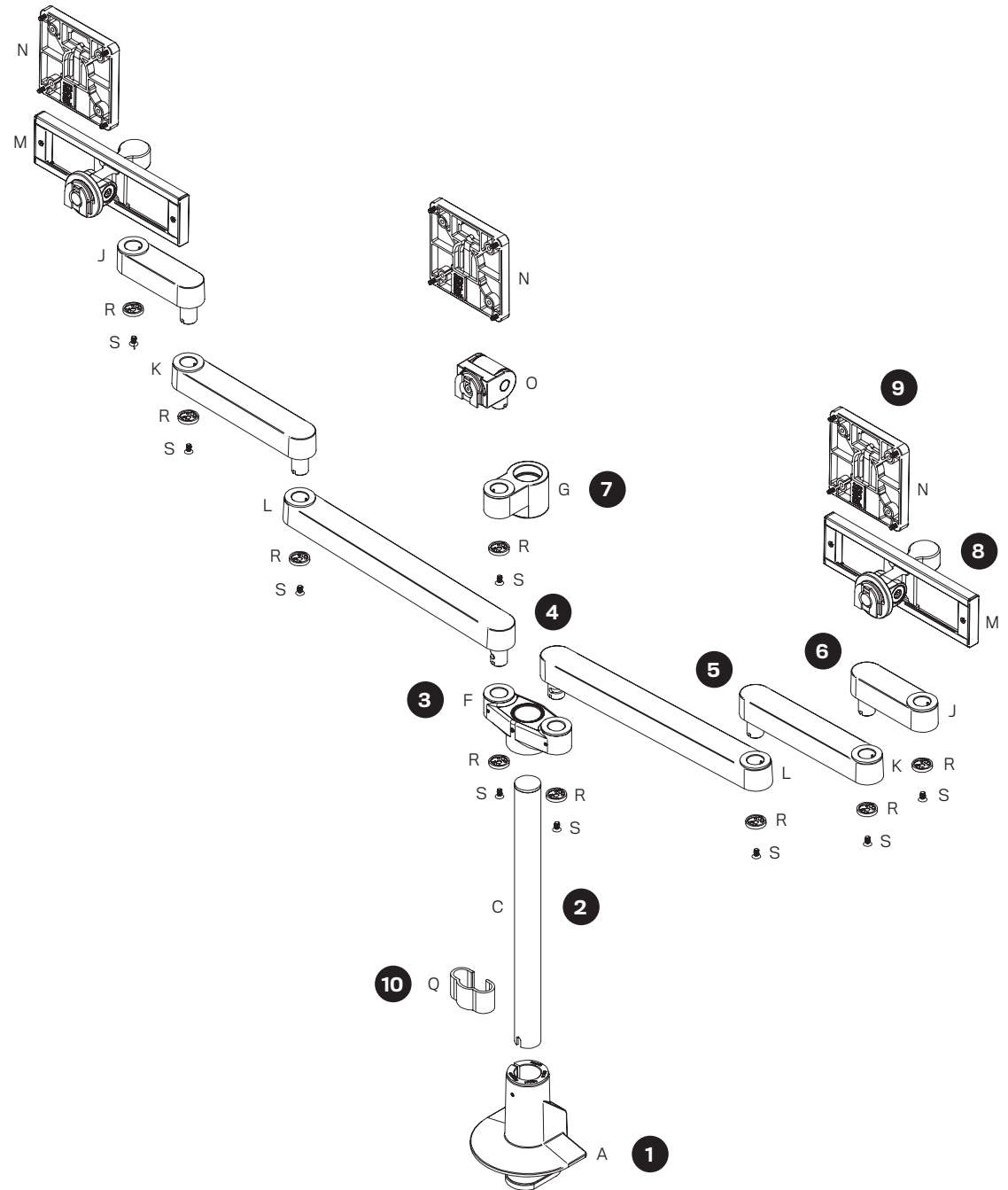
E2-03-SD

- 1 Secure Top Down Mount (A) to worksurface. (see page 14)
- 2 Insert and secure Pole (C) into mount (A). (see page 16)
- 3 Slide Dual Yoke (F) over pole and secure it in place at desired height with the 3/32" Hex Key (V), apply 30 in-lbs torque. (see page 17)
- 4 2x Insert 12" Extension (L) to Dual Yoke (F). Secure it with Dog Washer (R) and Screw (S).
- 5 2x Slide Spacer (I) over Dynamic arm (H) shaft and insert arm to 12" Extension (L). Secure it with Dog Washer (R) and Screw (S).
- 6 Slide Single Yoke (G) over pole and secure it in place at desired height with the 3/32" Hex Key (V), apply 30 in-lbs torque. (see page 19)
- 7 2x Insert Slider (M) to Dynamic Arm (H). Secure it with Dog Washer (R) and Screw (S). (see page 18)
- 8 3x Attach Quick Connect VESA Plate (N) to monitor using Screws (T) and insert it to Slider (M) or Tilter (O). (see page 18)
- 9 Snap Cable Clip (Q) on the Pole (C).

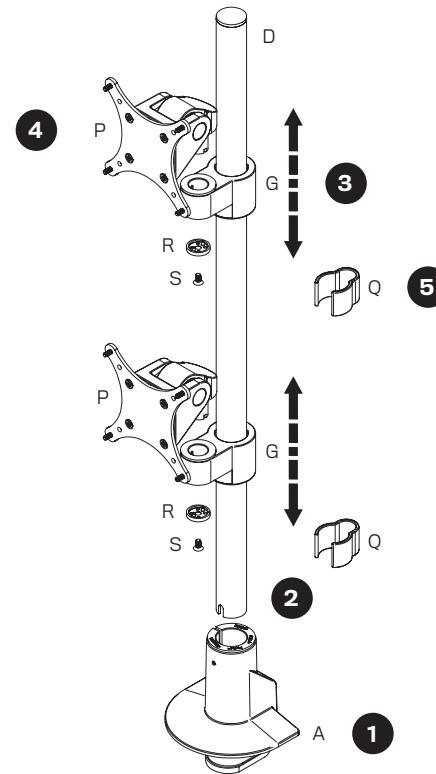


E2-03-SSS

- 1 Secure Top Down Mount (A) to worksurface. (see page 14)
- 2 Insert and secure Pole (C) into mount (A). (see page 16)
- 3 Slide Dual Yoke (F) over pole and secure it in place at desired height with the 3/32" Hex Key (V), apply 30 in-lbs torque. (see page 17)
- 4 2x Insert 12" Extension (L) to Dual Yoke (F). Secure it with Dog Washer (R) and Screw (S).
- 5 2x Insert 8" Extension (K) to 12" Extension (L) with Rotational Stop Slot. Secure it with Dog Washer (R) and Screw (S).
- 6 2x Insert 4" Extension (J) to 8" Extension (K) with Rotational Stop Slot. Secure it with Dog Washer (R) and Screw (S).
- 7 Slide Center Arm Yoke (G) over pole and secure it in place at desired height with the 3/32" Hex Key (V), apply 30 in-lbs torque.
- 8 2x Insert Slider (M) to 4" Extension (J). Secure it with Dog Washer (R) and Screw (S).
- 9 3x Attach Quick Connect VESA Plate (N) to monitor using Screws (T) and insert it to Slider (M) or Tilter (O). (see page 18)
- 10 Snap Cable Clip (Q) on the Pole (C)

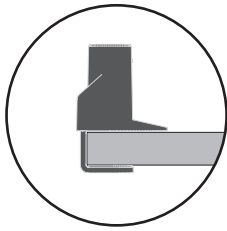


- 1 Secure Top Down Mount (A) to worksurface. (see page 14)
- 2 Insert and secure Pole (D) into mount (A). (see page 16)
- 3 2x Slide Single Yoke (G) over the Pole and secure it in place at desired height with the 3/32" Hex Key (V), apply 30 in-lbs torque.
- 4 2x Insert HD Tilter (P) to Single Yoke (G). Secure it with Dog Washer (R) and Screw (S).
- 5 2x Snap Cable Clip (Q) on the Pole (D).

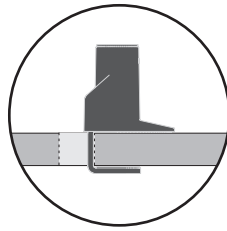


DESK CLAMP CONFIGURATION

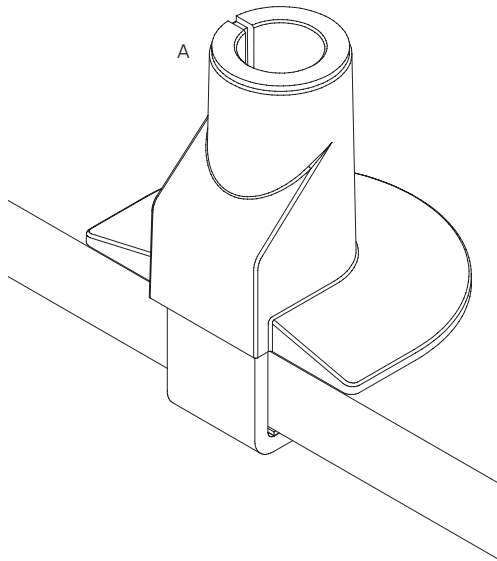
1



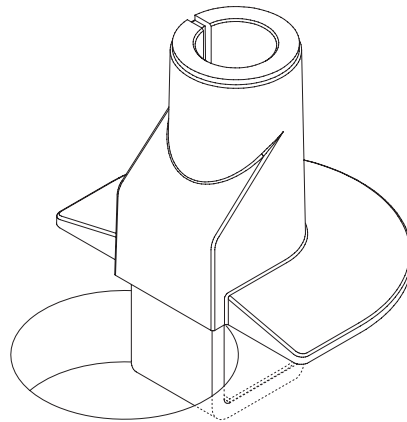
Desk thickness
up to 1.5" (3.8 cm)



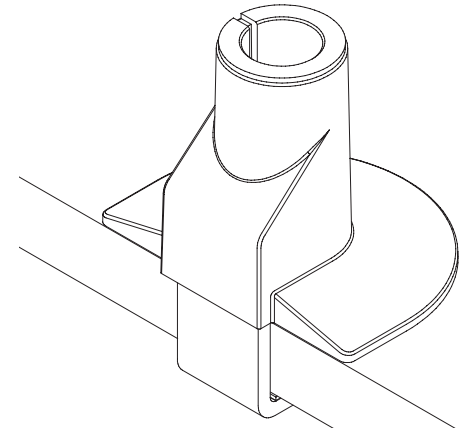
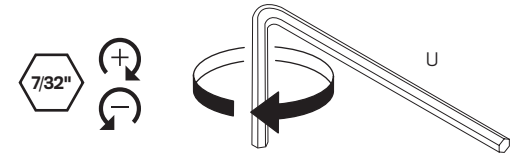
Desk thickness
up to 1.5" (3.8 cm)



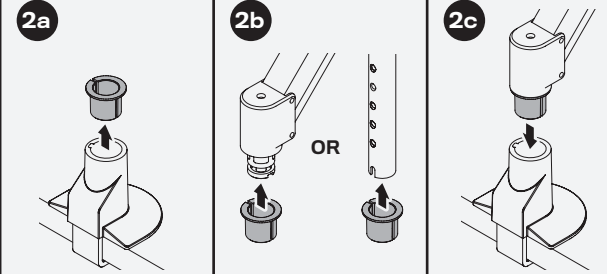
OR



2

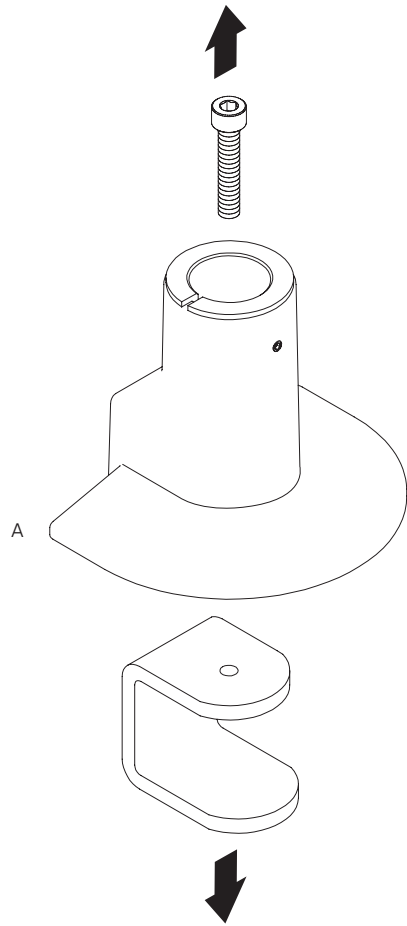


i If the monitor arm or pole does not easily fit into the mount, remove the bushing from the mount and place it on the monitor arm or pole and press firmly back into the mount.

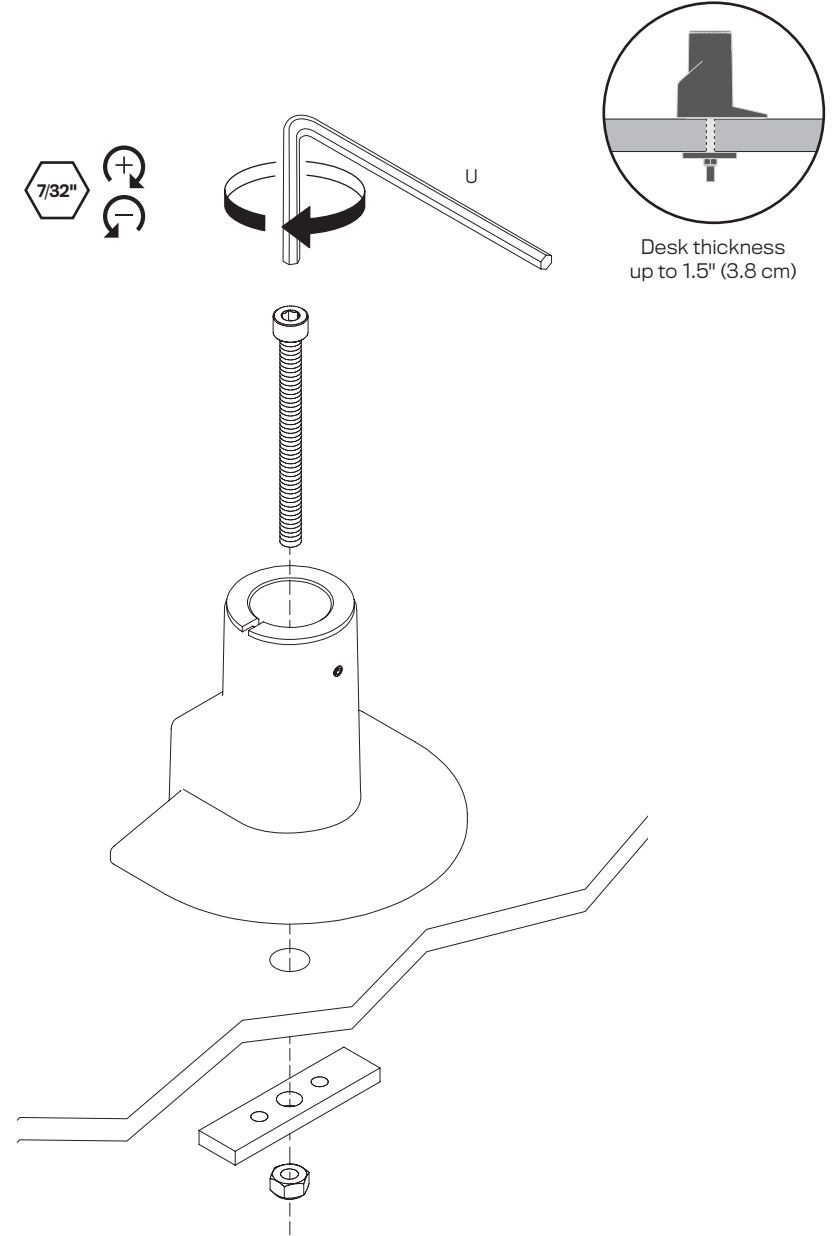


THRU-DESK CONFIGURATION*

3



4

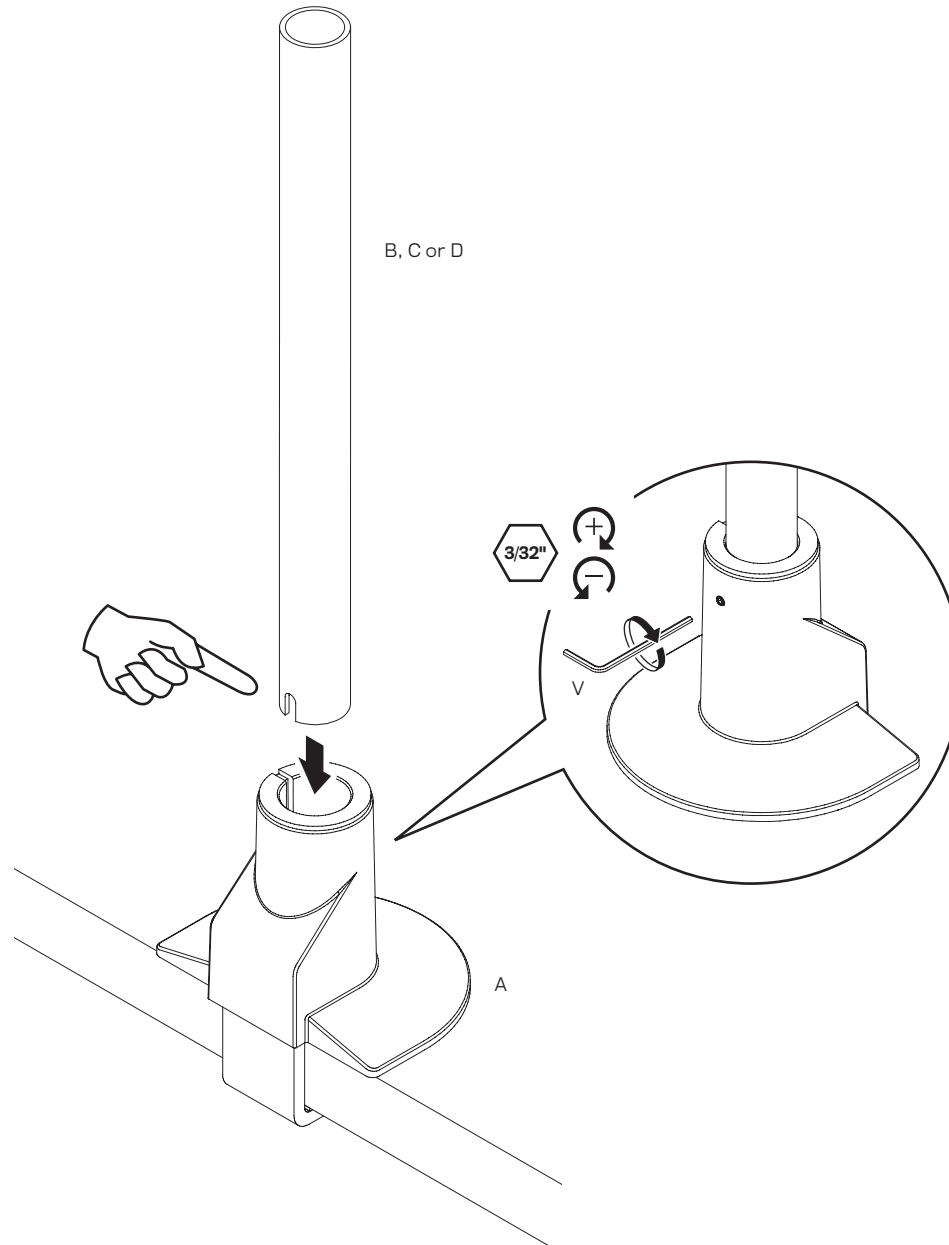
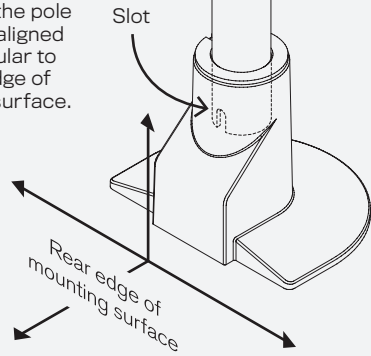


SECURE POLE IN MOUNT

5

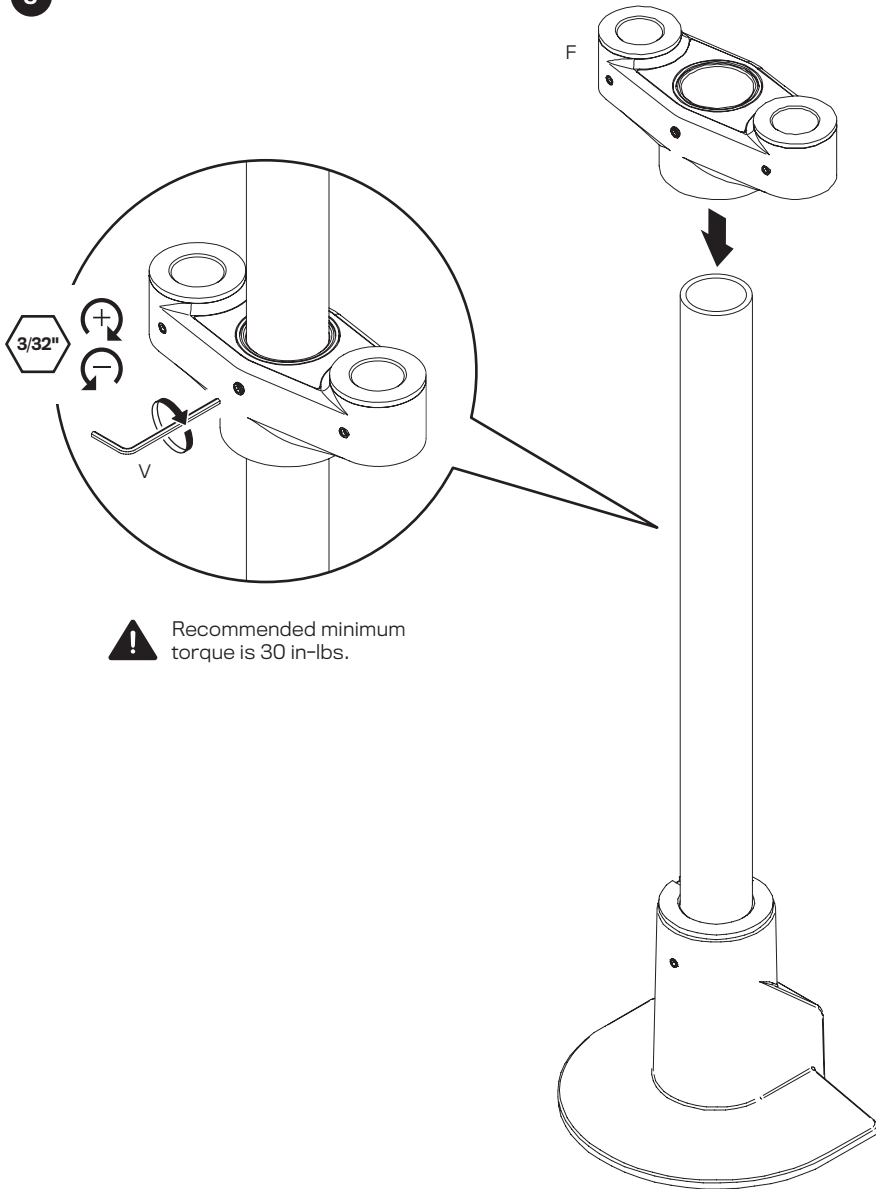


IMPORTANT:
When inserting pole into mount, the slot in the pole should be aligned perpendicular to the rear edge of mounting surface.

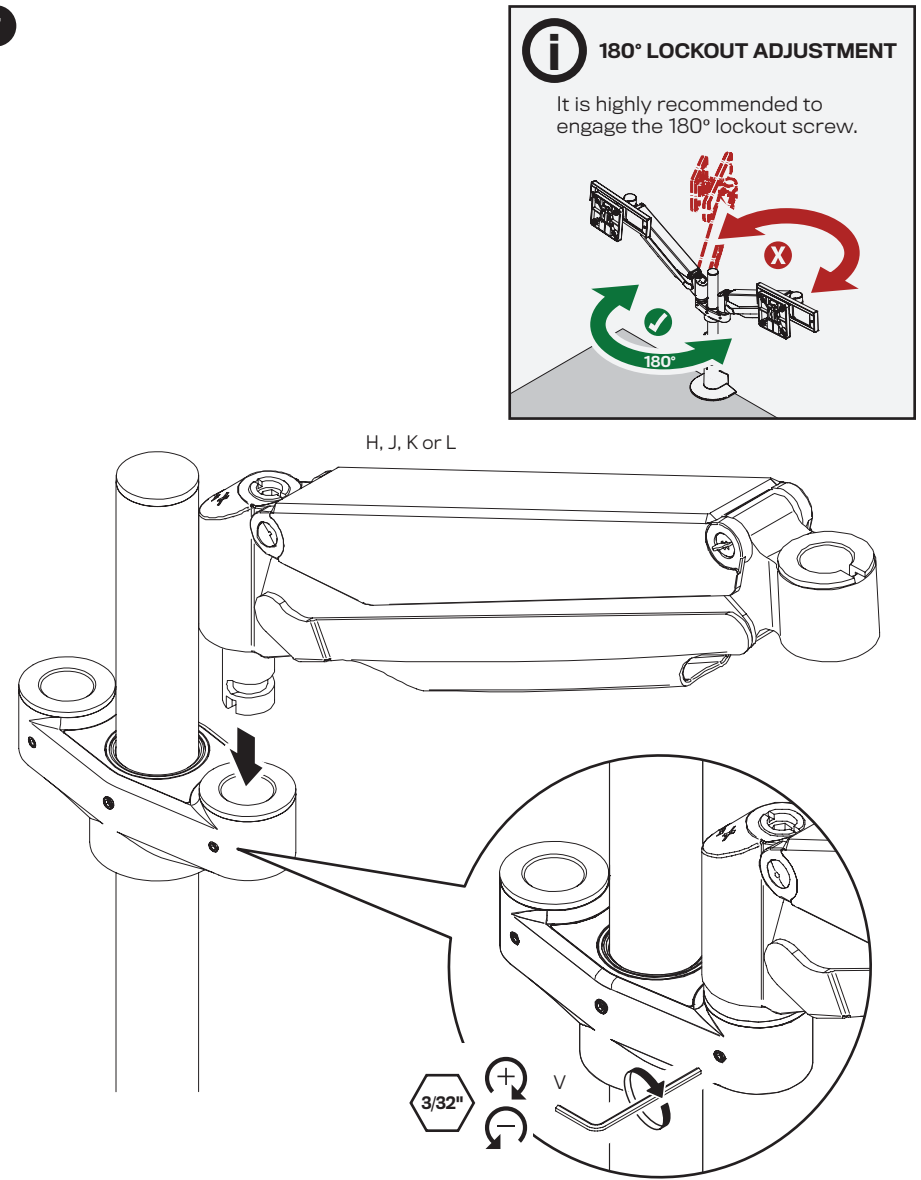


DUAL YOKE ASSEMBLY

6

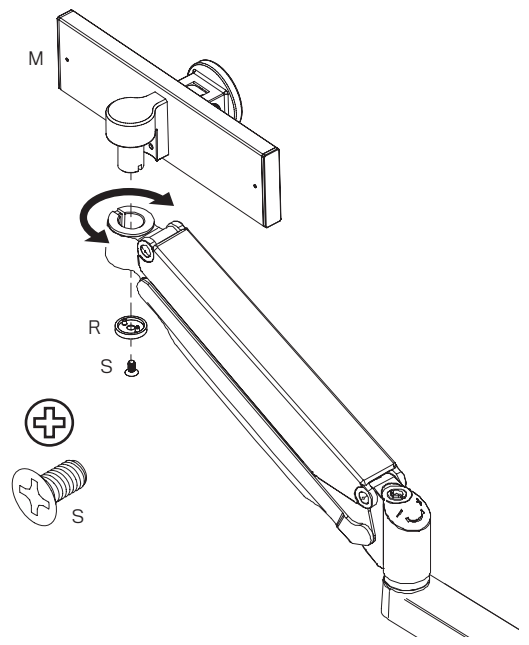


7

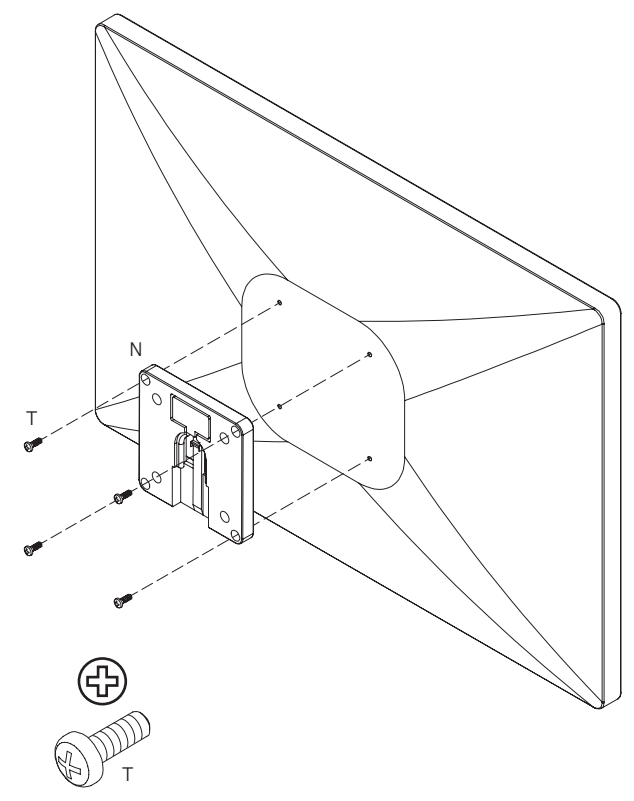


SLIDER W/ QUICK CONNECT VESA PLATE ASSEMBLY

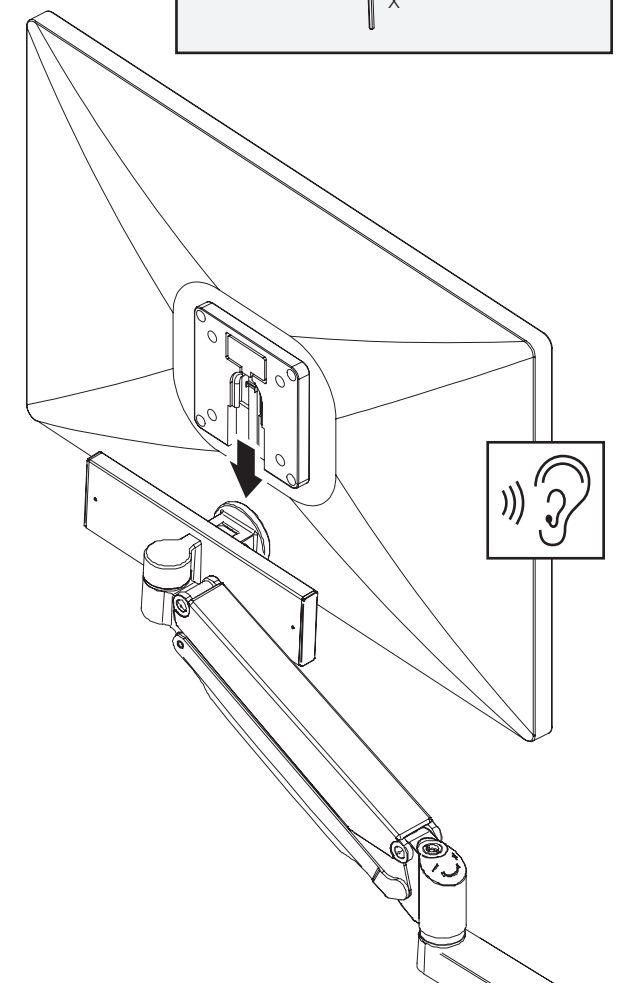
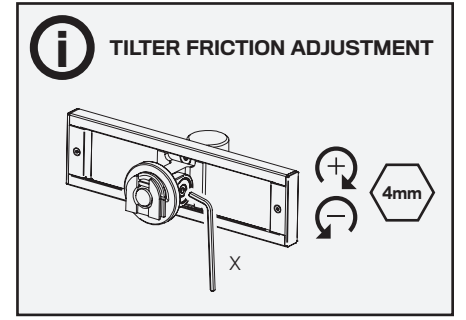
8



9

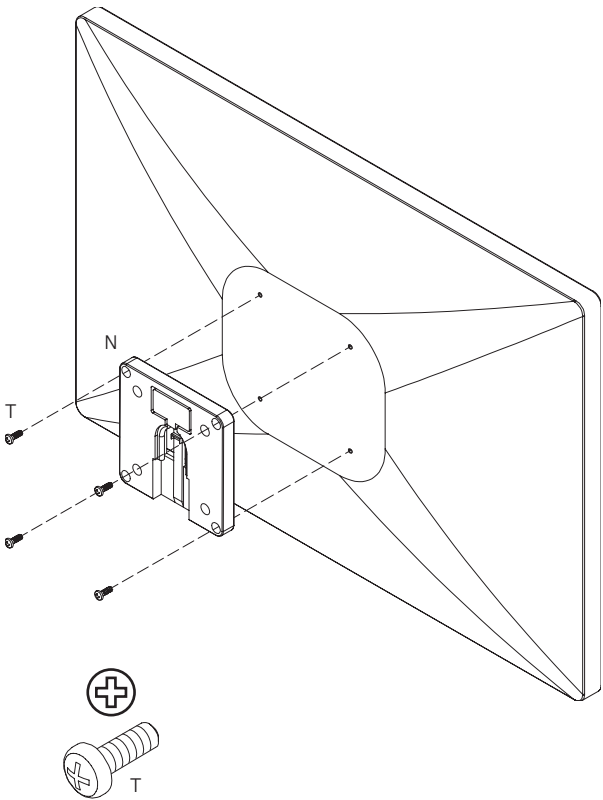


10

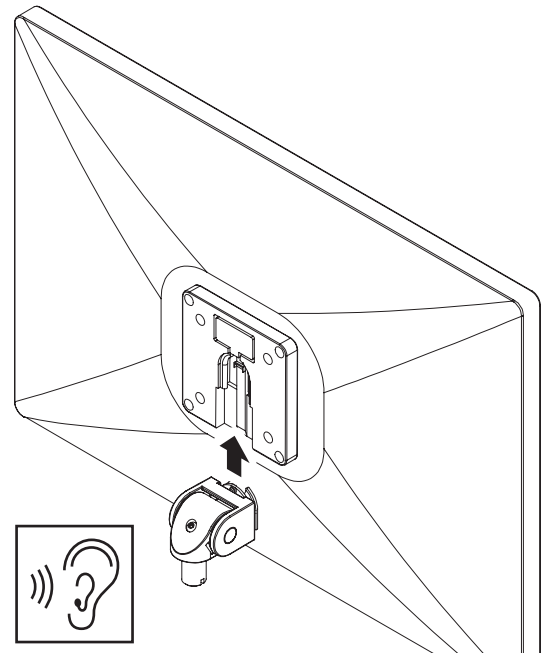


CENTER ARM TILTER W/ QUICK CONNECT VESA PLATE ASSEMBLY

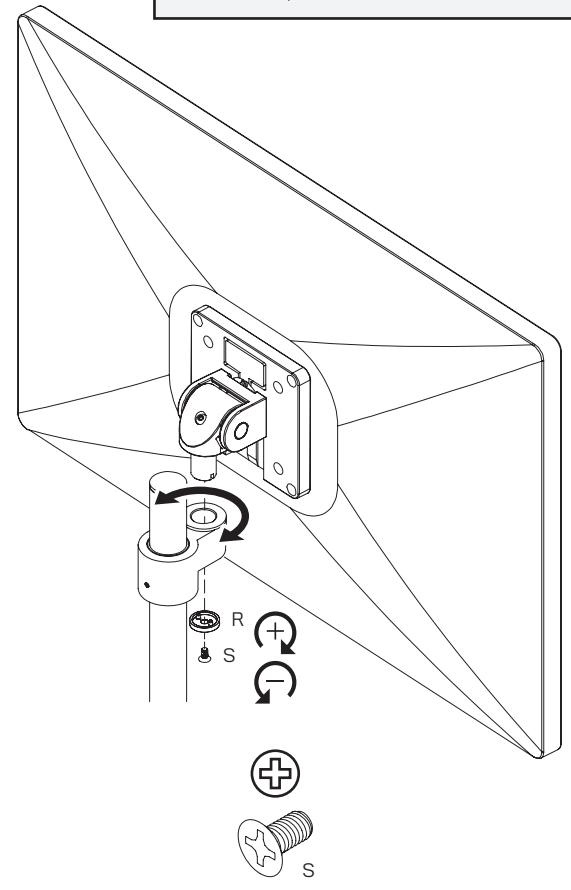
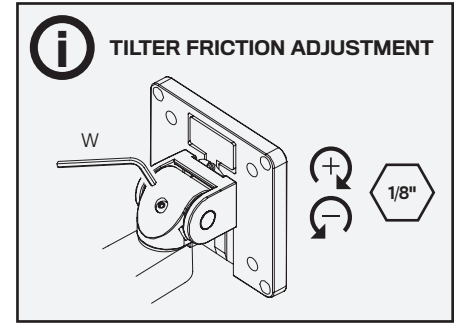
11



12



13



DYNAMIC ARM COUNTERBALANCE

14

