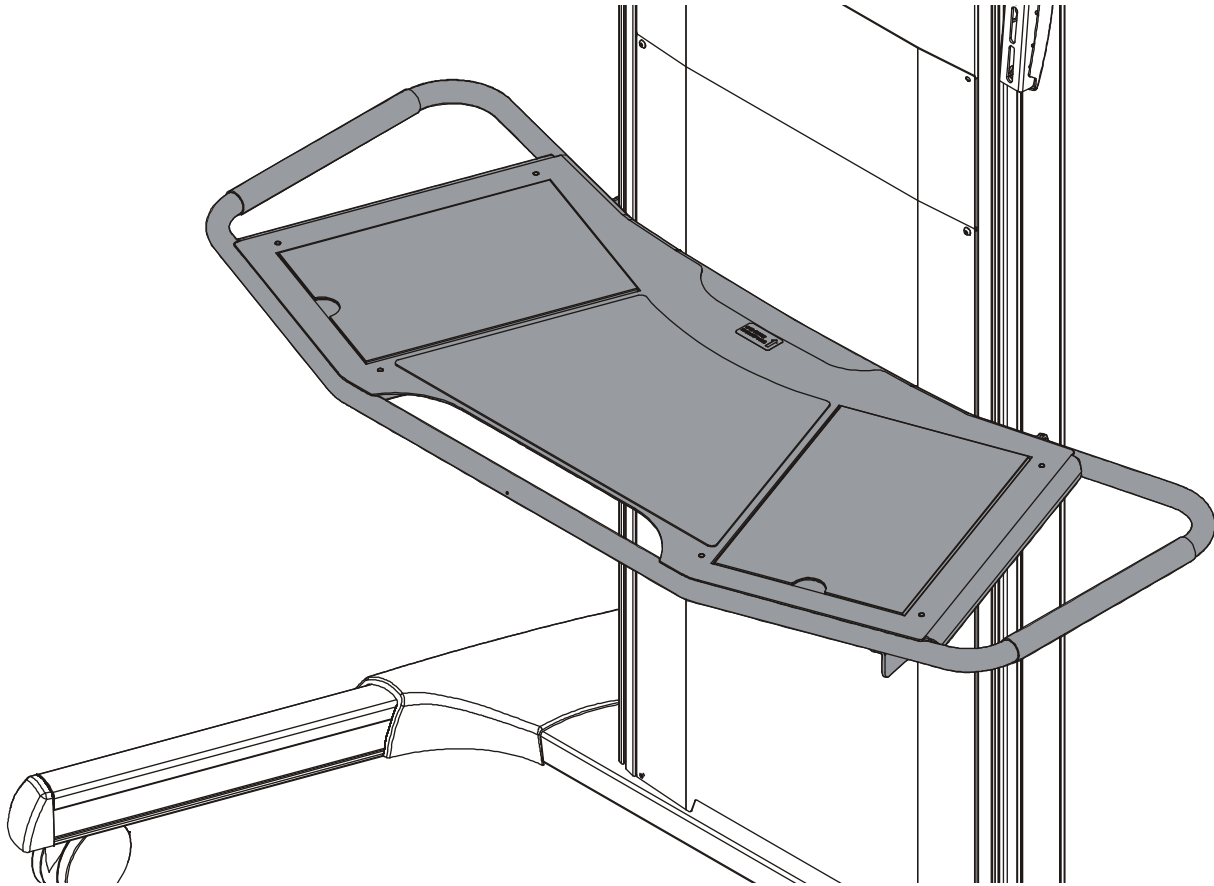

INSTALLATION INSTRUCTIONS




Large Shelf for Fusion™ Cart

DISCLAIMER


Milestone AV Technologies and its affiliated corporations and subsidiaries (collectively "Milestone"), intend to make this manual accurate and complete. However, Milestone makes no claim that the information contained herein covers all details, conditions or variations, nor does it provide for every possible contingency in connection with the installation or use of this product. The information contained in this document is subject to change without notice or obligation of any kind. Milestone makes no representation of warranty, expressed or implied, regarding the information contained herein. Milestone assumes no responsibility for accuracy, completeness or sufficiency of the information contained in this document.


Chief® is a registered trademark of Milestone AV Technologies. All rights reserved.


IMPORTANT SAFETY INSTRUCTIONS


 **WARNING:** A WARNING alerts you to the possibility of serious injury or death if you do not follow the instructions.


 **CAUTION:** A CAUTION alerts you to the possibility of damage or destruction of equipment if you do not follow the corresponding instructions.


 **WARNING:** Failure to read, thoroughly understand, and follow all instructions can result in serious personal injury, damage to equipment, or voiding of factory warranty! It is the installer's responsibility to make sure all components are properly assembled and installed using the instructions provided.


 **WARNING:** Failure to provide adequate structural strength for this component can result in serious personal injury or damage to equipment! It is the installer's responsibility to make sure the structure to which this component is attached can support five times the combined weight of all equipment. Reinforce the structure as required before installing the component.

 **WARNING:** Exceeding the weight capacity can result in serious personal injury or damage to equipment! It is the installer's responsibility to make sure the combined weight of all components located on the FCA612 does not exceed 25 lbs (11.34 kg).

 **WARNING:** Use this mounting system only for its intended use as described in these instructions. Do not use attachments not recommended by the manufacturer.

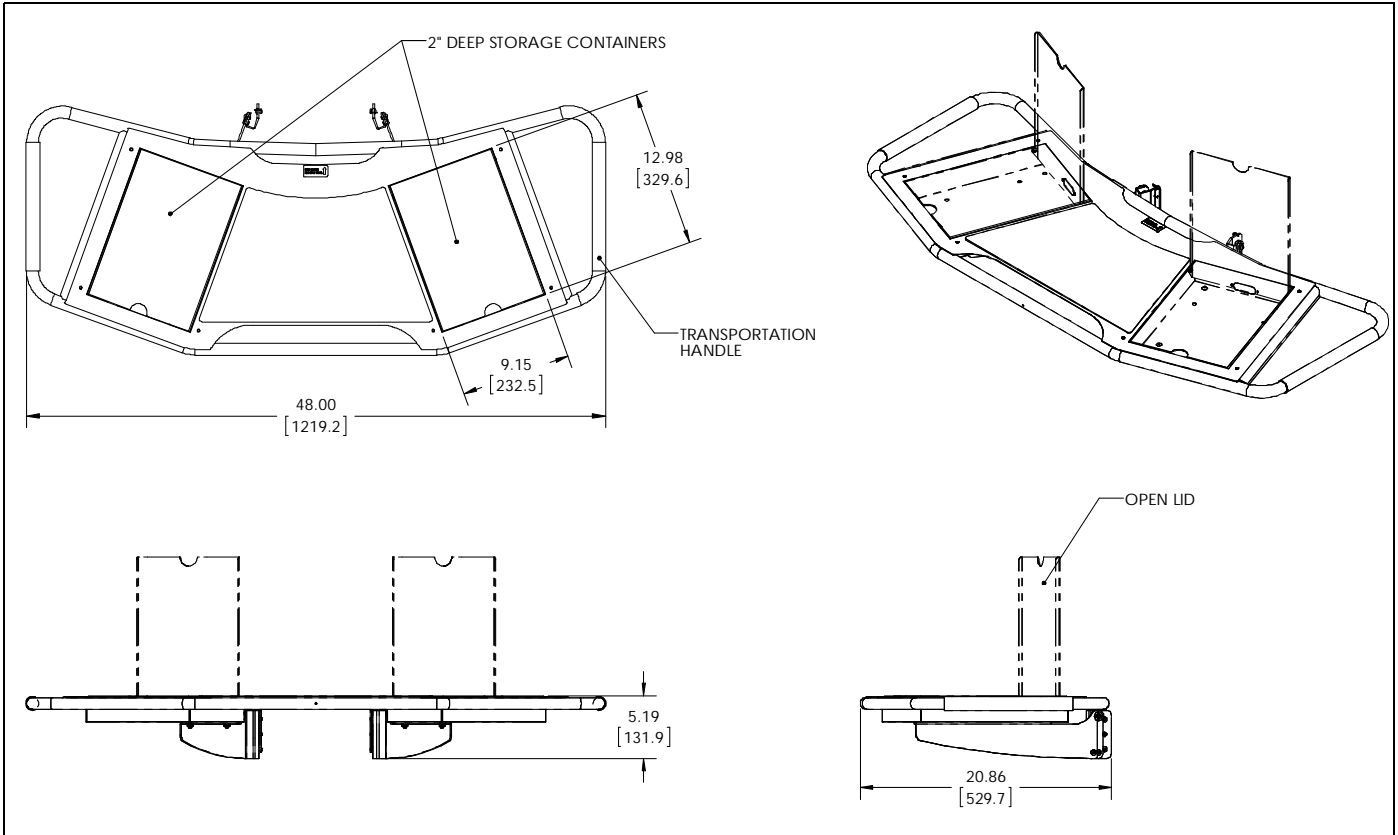
 **WARNING:** Never operate this mounting system if it is damaged. Return the mounting system to a service center for examination and repair.

 **WARNING:** Do not use this product outdoors.

 **WARNING:** RISK OF INJURY TO PERSONS! Do not place video equipment such as televisions or computer monitors on cart legs.

--SAVE THESE INSTRUCTIONS--

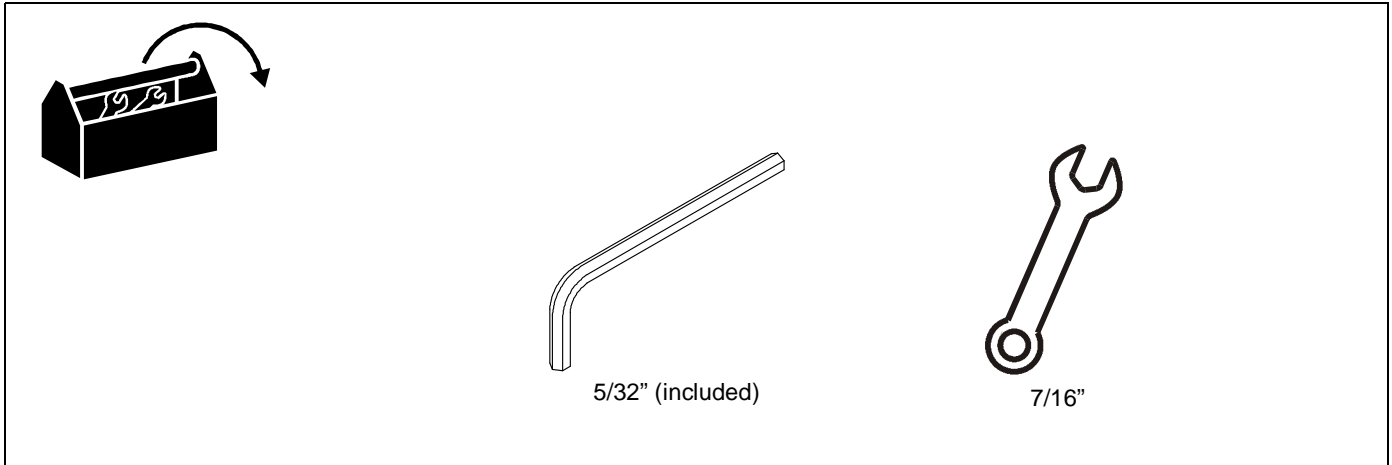
DIMENSIONS



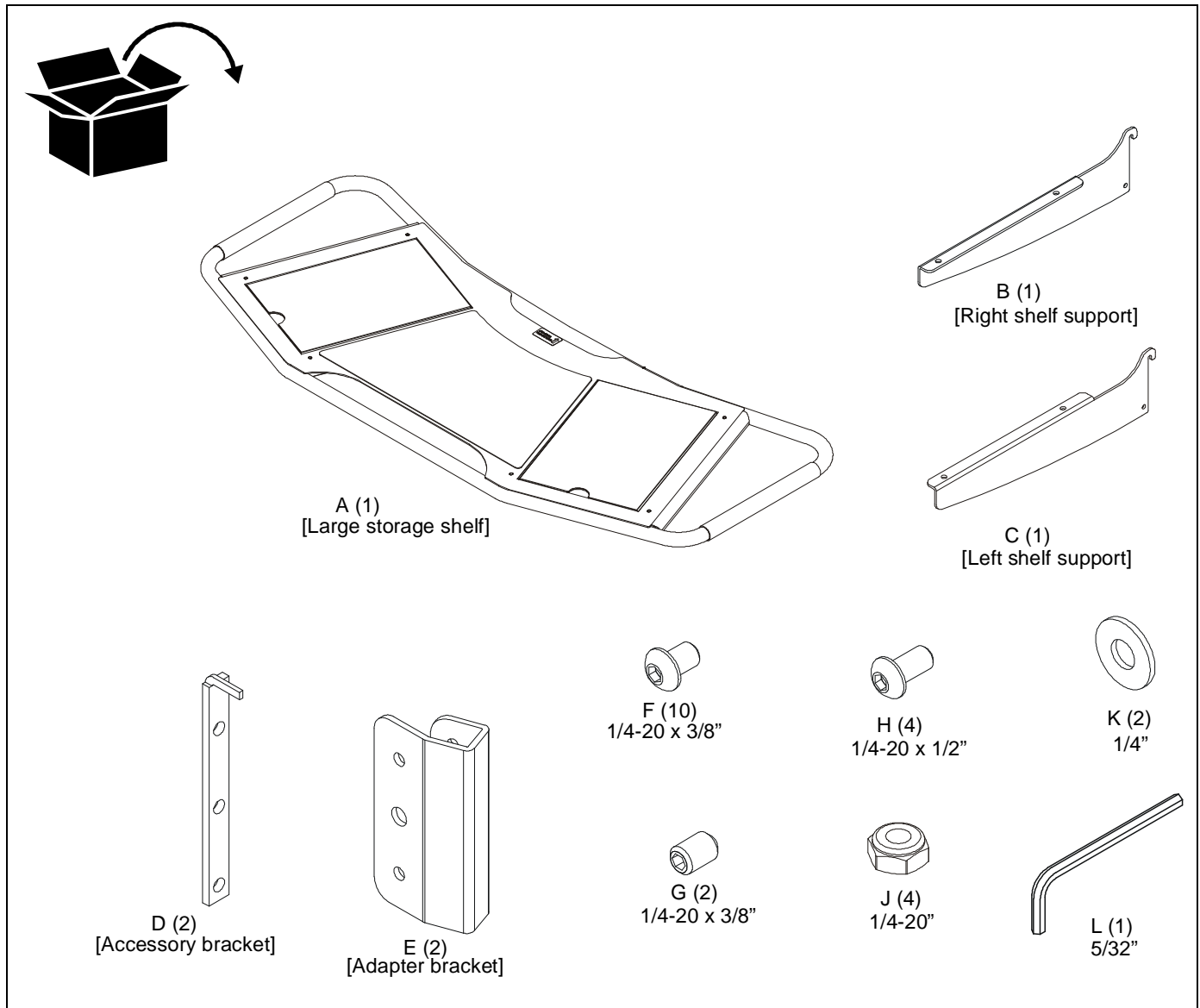
LEGEND

	Tighten Fastener Apretar elemento de fijación Befestigungsteil festziehen Apertar fixador Serrare il fissaggio Bevestiging vastdraaien Serrez les fixations		Pencil Mark Marcar con lápiz Stiftmarkierung Marcar com lápis Segno a matita Potloodmerkteken Marquage au crayon
	Loosen Fastener Aflojar elemento de fijación Befestigungsteil lösen Desapertar fixador Allentare il fissaggio Bevestiging losdraaien Desserrez les fixations		Drill Hole Perforar Bohrloch Fazer furo Praticare un foro Gat boren Percez un trou
	Phillips Screwdriver Destornillador Phillips Kreuzschlitzschraubendreher Chave de fendas Phillips Cacciavite a stella Kruiskopschroevendraaier Tournevis à pointe cruciforme		Adjust Ajustar Einstellen Ajustar Regolare Afstellen Ajuster
	Open-Ended Wrench Llave de boca Gabelschlüssel Chave de bocas Chiave a punte aperte Steeksleutel Clé à fourche		Remove Quitar Entfernen Remover Rimuovere Verwijderen Retirez
	By Hand A mano Von Hand Com a mão A mano Met de hand À la main		Optional Opcional Optional Opcional Opzionale Optie En option
	Hex-Head Wrench Llave de cabeza hexagonal Sechskantschlüssel Chave de cabeça sextavada Chiave esagonale Zeskantsleutel Clé à tête hexagonale		Security Wrench Llave de seguridad Sicherheitsschlüssel Chave de segurança Chiave di sicurezza Veiligheidssleutel Clé de sécurité

TOOLS REQUIRED FOR INSTALLATION



PARTS



Assembly And Installation

NOTE: The following procedure assumes the Fusion™ Cart/Stand has already been completely assembled with the display attached.

IMPORTANT ! : The FCA612 shelf has been designed specifically for Chief's Fusion™ Series Carts and Stands. DO NOT attempt to install this shelf onto any other cart or stand!

1. Remove side covers from cart/stand by sliding them up the channel. (See Figure 1)

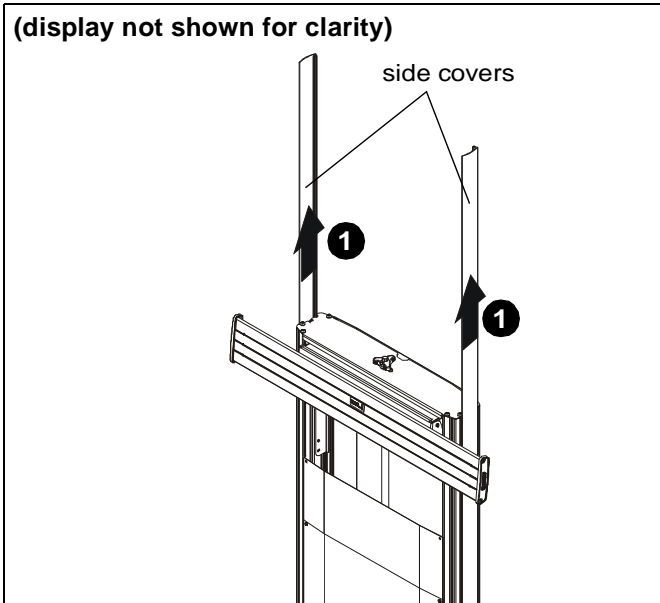


Figure 1

2. Slide accessory bracket (D) down side channel of cart. (See Figure 2)

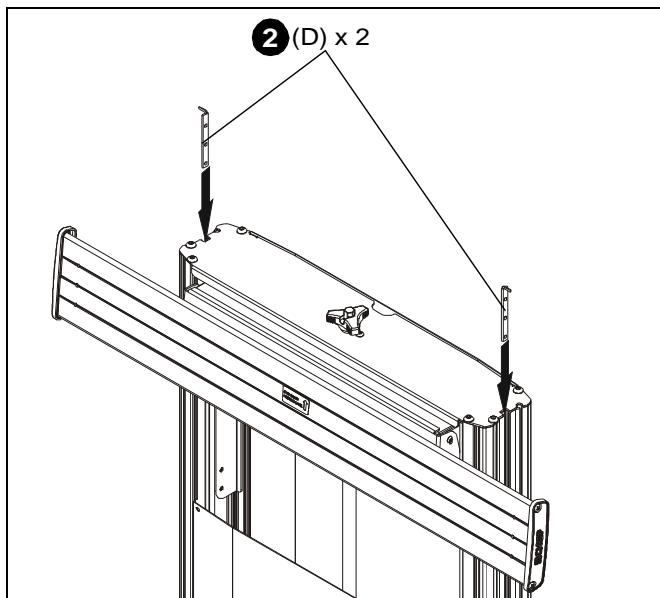


Figure 2

3. Install 1/4-20 x 3/8" set screw (G) into middle hole of accessory bracket (D). (See Figure 3)
4. Install two 1/4-20 x 3/8" button head cap screws (F) through upper and lower holes on adapter bracket (E) and accessory bracket (D). (See Figure 3)

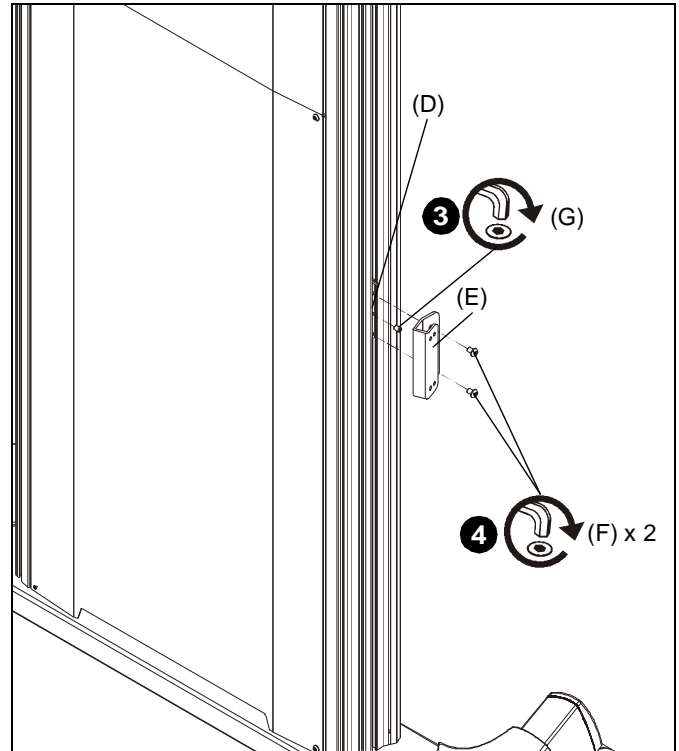


Figure 3

5. Loosely install 1/4-20 x 3/8" button head cap screw (F) into lower back hole on adapter bracket (E). (See Figure 4)
6. Loosely install 1/4-20 x 3/8" button head cap screw (F) through 1/4" washer (K) and into upper back hole on adapter bracket (E). (See Figure 4)

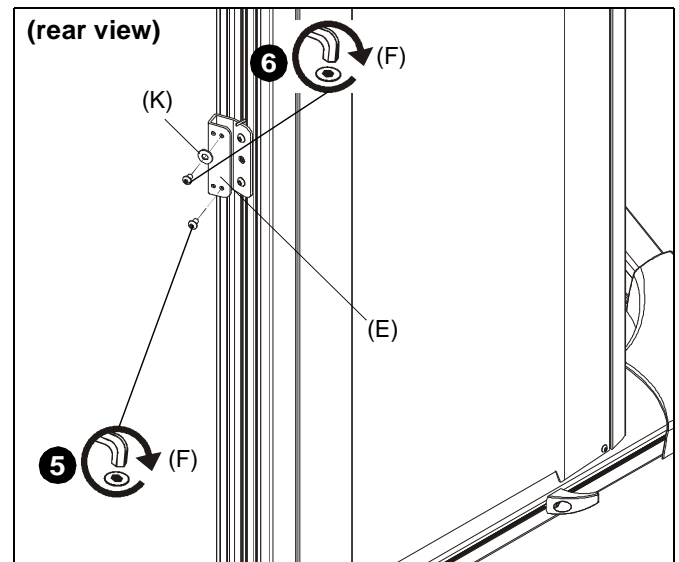


Figure 4

7. Hang shelf support (B or C) onto top screw installed in Step 6. (See Figure 5)
8. Tighten top screw to ensure shelf support is secured in position. (See Figure 5)

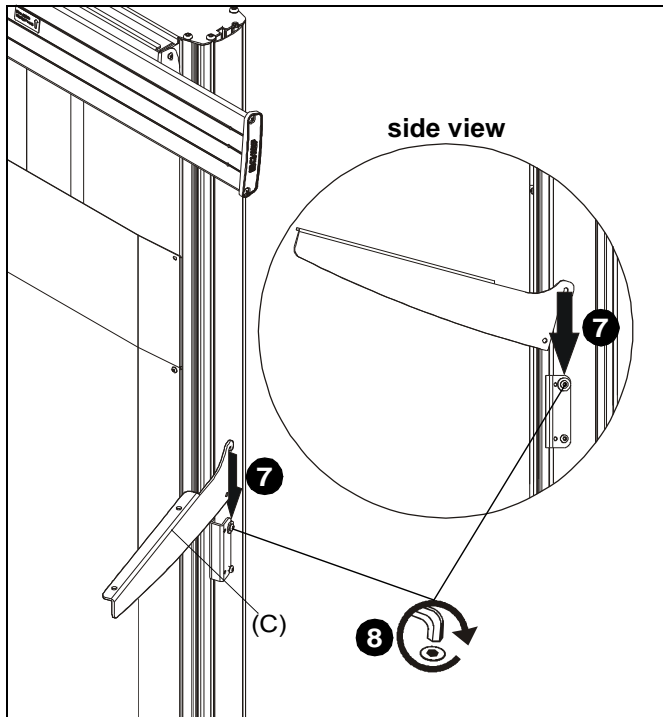


Figure 5

9. Install 1/4-20 x 3/8" button head cap screw (F) into lower front hole to secure shelf support (B or C) to adapter bracket (E). (See Figure 6)

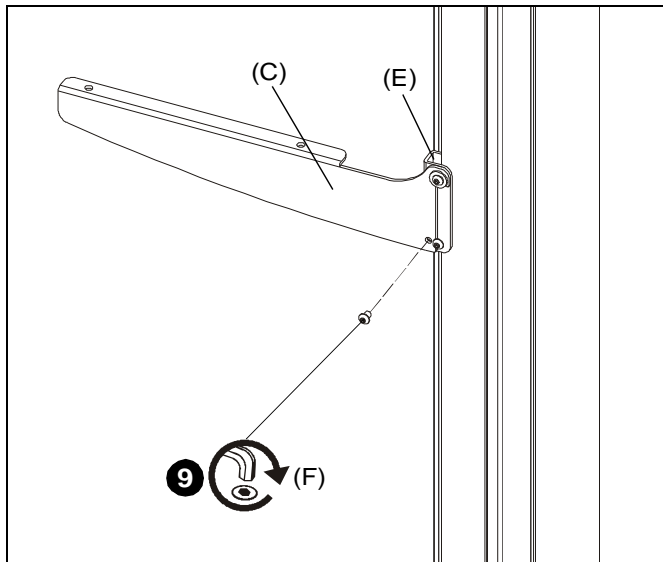


Figure 6

10. Repeat Steps 2-9 on other side of the cart with opposite shelf support.

NOTE: In order to ensure a level mount, measure the distance from the bottom of the cart to the shelf support and install the second shelf support at the same height.

11. Open storage tray lids and use four 1/4-20 x 1/2" button head cap screws (H) and four 1/4-20" lock nuts (J) to secure large storage shelf (A) to shelf supports (B and C). (See Figure 7)

NOTE: If installing to LPAU cart, inside holes will be used to secure shelf to uprights.

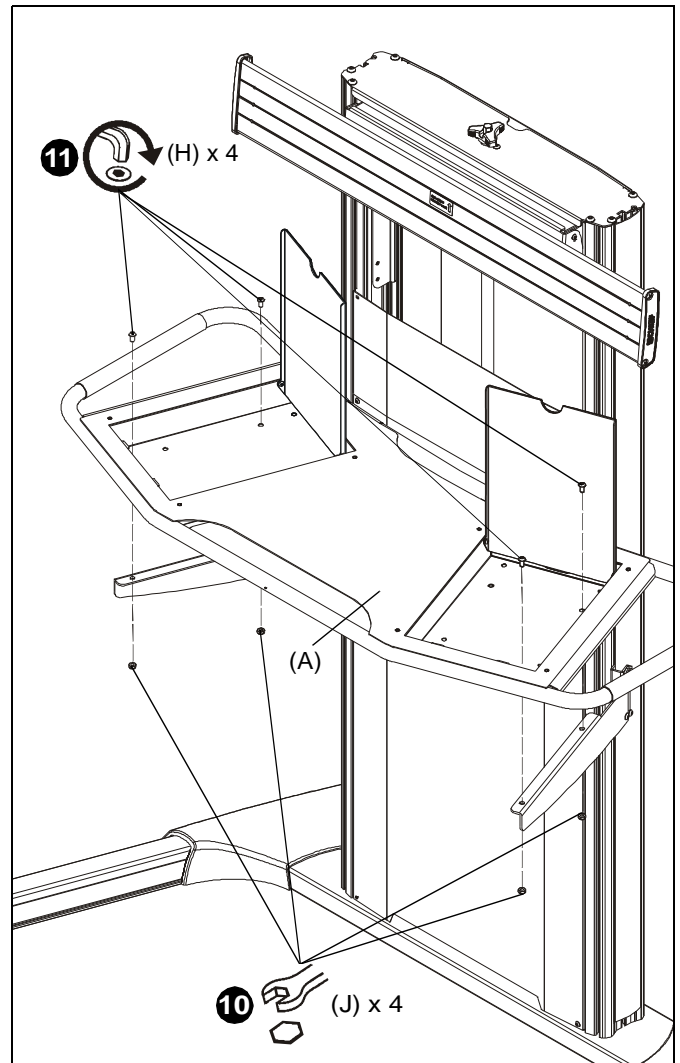


Figure 7



Our Mounts. **Your Vision.**

Chief Manufacturing, a products division
of Milestone AV Technologies

8800-002501 Rev00
©2013 Milestone AV Technologies, a
Duchossois Group Company
www.chiefmfg.com
12/13

USA/International	A 6436 City West Parkway, Eden Prairie, MN 55344 P 800.582.6480 / 952.225.6000 F 877.894.6918 / 952.894.6918
Europe	A Franklinstraat 14, 6003 DK Weert, Netherlands P +31 (0) 495 580 852 F +31 (0) 495 580 845
Asia Pacific	A Office No. 1 on 12/F, Shatin Galleria 18-24 Shan Mei Street Fotan, Shatin, Hong Kong P 852 2145 4099 F 852 2145 4477

