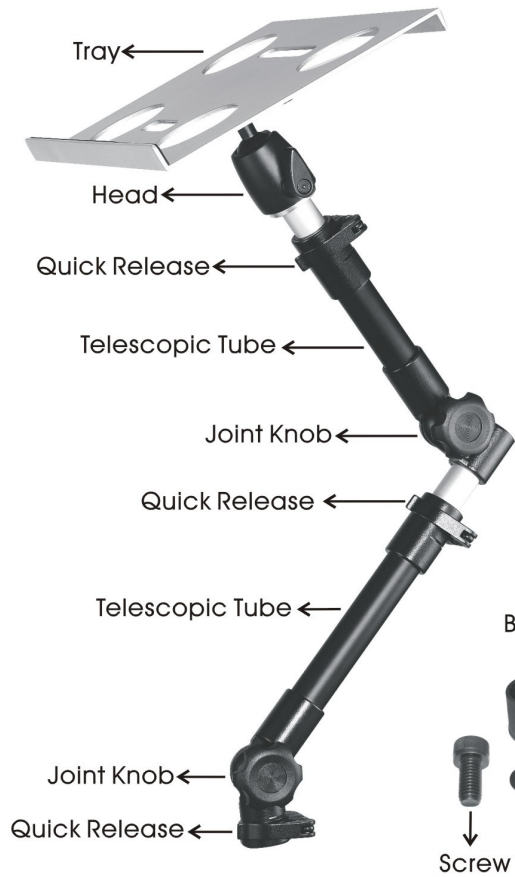


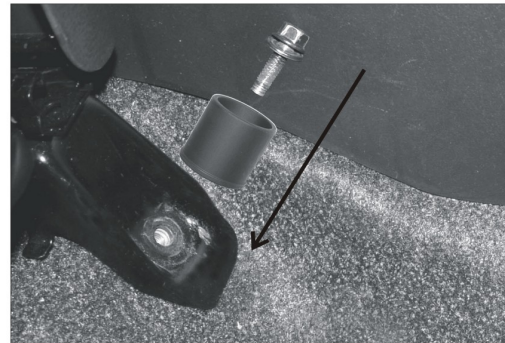
INSTALL STEPS



→ Velcro Belt

→ Velcro Belt

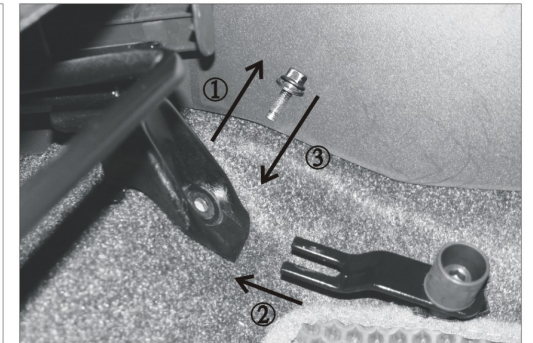
→ Link Brackets



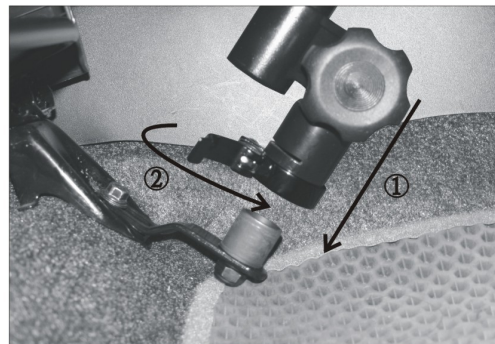
STEP 1 : Loose the bolt of the seat, and assemble with the base, then screw back to the seat. If your seat is unable to assemble the base, please refer to step A and B.



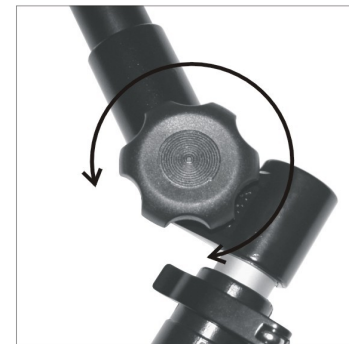
STEP A: Choose suitable link bracket, assemble with screw base, washer and screw nut tightly.



STEP B: Loose the bolt of seat, and screw the link bracket tightly.



STEP 2 :Put the stand on the base and push the quick release tightly. (To remove the stand, loosen the quick-release's screw to avoid the inner diameter being shrunken.)



STEP 3 :Loosen and fasten the joint knob can adjust the height and angle of the stand.



STEP 4 :Push the quick release can adjust the length of the stand and rotate the inner tube.

CAUTION

- *Please surely fasten all the screws to the tightest when Use the stand.
- *Not for driver use while driving.
- *Do not put the stand too high to disturb the air bag.

Max load:
when moving 5KG
when immobility 10KG



STEP 5 :Release the cooper stick, and the Handle. The board will eject, then screw the tray on the board. After install the board back, put the cooper stick lock.



STEP 6 :After being adjusted to a suitable position, put the laptop on the tray and fasten it by velcro belt tightly.