



# REYA POWER

ACCESSORIES



HAT  
COLLECTIVE™  
HUMAN ACTIVE TECHNOLOGY

# SMART. BEAUTIFUL. POWERFUL.

Meet Reya - our new power family. Reya's design-forward architecture with soft, curved lines offers a full spectrum of mountable power options for your workstation. Whatever your power needs, big or small, Reya provides power conveniently at your fingertips.



**REYA 140W SURFACE POWER MODULE**

**Finishes**

- White  
WH
- Black  
BK

**Features**

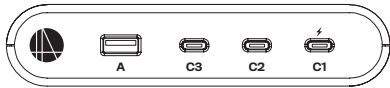
- 1 USB-A charger port
- 3 USB-C charger ports
- Can charge laptop up to 140 Watts (requires 5A-Rated USB-C cable, included)
- Conforms and tested to UL 962A, UL 1310
- Top down mount:
  - Desk edge: 0.4" - 1.7"
  - Grommet: Ø 2" minimum

**Dimensions**

- Product: 5.5" x 4.7" x 2.4"
- Power supply: 6.3" x 2.7" x 1.4"
- Cord length:
  - Input: 4' (cable to power supply)
  - Output: 4' (cable from power supply)

**Specifications**

- Input: 100-240V, ~50/60Hz, 2.5A Max.
- Output: PD3.1 up to 140W



Item	USB-C1	USB-C2	USB-C3	USB-A
<b>Single Port</b>	140W	45W	45W	18W
<b>Dual Port</b>	100W	30W		
	100W		30W	
	100W			18W
		45W	45W	18W
<b>Triple Port</b>			15W	
	100W	20W	20W	
	100W	20W		18W
	100W		15W	
<b>Quadruple Port</b>	100W	20W	10W	

**Part Numbers**

PWRG-ACCC-TD-B-\_\_



**REYA 140W CHARGING CAP FOR E5**

**Finishes**

- White  
WH
- Silver  
SI
- Black  
BK

**Features**

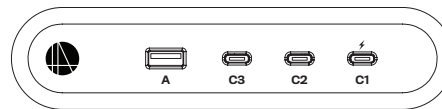
- 1 USB-A charger port
- 3 USB-C charger ports
- Can charge laptop up to 140 Watts (requires 5A-Rated USB-C cable, included)
- Conforms and tested to UL 962A, UL 1310
- In-mount for E5 monitor arm

**Dimensions**

- Product: 6.7" x 3.7" x 2.1"
- Power supply: 6.3" x 2.7" x 1.4"
- Cord length:
  - Input: 4' (cable to power supply)
  - Output: 4' (cable from power supply)

**Specifications**

- Input: 100-240V, ~50/60Hz, 2.5A Max.
- Output: PD3.1 up to 140W



Item	USB-C1	USB-C2	USB-C3	USB-A
<b>Single Port</b>	140W	45W	45W	18W
<b>Dual Port</b>	100W	30W		
	100W		30W	
	100W			18W
		45W	45W	18W
<b>Triple Port</b>			15W	
	100W	20W	20W	
	100W	20W		18W
	100W		15W	
<b>Quadruple Port</b>	100W	20W	10W	

**Part Numbers**

PWRG-ACCC-IM-B-\_\_



**LOW PROFILE USB HUB**

**Finishes**

- White  
WH
- Black  
BK

**Features**

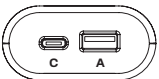
- 1 USB-A charger port
- 1 USB-C charger port
- Can charge laptop up to 65 Watts (requires 5A-Rated USB-C cable)
- Mount: Desk edge/surface mount, under mount, edge mount (desk edge/surface mount: 0.5" - 1.75")

**Dimensions**

- Product: 2.4" x 2.2" x 1.2"
- Cord Length, PWR-AC: 5'
- Cord Length, PWR-AC-PS: 39" AC Adapter Cable, 71" Power Cable

**Specifications**

- Input: DC, 65W max from HAT Base Control Box
- Output: PD3.0 up to 65W



Item	USB-C	USB-A
Single Port	65W	10W
Dual Port	45W	10W

**Part Numbers**

- PWR-AC-\_\_ USB Hub, Requires HAT Base
- PWR-AC-PS-\_\_ USB Hub, Includes AC Adapter



**STANDARD OR WIRELESS SURFACE POWER MODULE**

**Finishes**

- White  
WH
- Black  
BK

**Features**

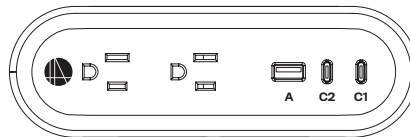
- 2 power receptacles
- 1 USB-A charger port
- 2 USB-C charger ports
- Can charge laptop up to 65 Watts (requires 5A-Rated USB-C cable)
- Mount: Desk edge, 0.75" - 1.75"
- Conforms and tested to UL 962A and UL 1310 standards
- Tamper-resistant (TR) AC outlets
- Integrated circuit breaker

**Dimensions**

- Product: 7.1" x 3.1" x 3.4"
- Cord Length: 6'

**Specifications**

- Input: 125VAC, 60Hz, 15A max
- Output:
- AC Outlets (2): 120VAC, 60HZ, 15A max
- Wireless Charging: 5W, 7.5W, 10W, 15W (auto detection)
- Output, USB: PD3.0 up to 65W



Item	USB-C1	USB-C2	USB-A
Single Port	65W	20W	18W
	45W	20W	
Dual Port	45W		18W
			15W
Triple Port	45W		15W

**Part Numbers**

- PWR-ACC-\_\_ Standard Surface Power Module
- PWR-ACC-WRLS-\_\_ Wireless Surface Power Module

**Accessory**

- PWR-UM-CK Under Mount Kit (Compatible with Standard Surface Power Module only)



**POWER STRIP W/HARDWIRED STANDARD SURFACE POWER MODULE**

**Finishes**

- White  
WH
- Black  
BK

**Features**

Power Strip: 6 power receptacles  
 Power Module: 2 power receptacles  
 1 USB-A charger port  
 2 USB-C charger ports  
 Can charge laptop up to 65 Watts  
 (requires 5A-Rated USB-C cable)

Conforms and tested to  
 UL 962A, UL 1310, and UL 498 standards

Tamper-resistant (TR) AC outlets  
 Integrated circuit breaker

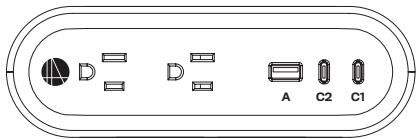
Top down mount:  
 Desk edge: 0.4" - 1.7"  
 Grommet: Ø 2" minimum

**Dimensions**

Surface Unit: 7.1" x 3.5" x 4.7"  
 Power Strip: 14.6" x 2.4" x 1.5"  
 Cord Length:  
 Input: 9'  
 Between Units: 3'

**Specifications**

Input: 125VAC, 60Hz, 15A max  
 Output, Power Strip:  
 AC Outlets (6): 120VAC, 60HZ, 12A max  
 Output, Surface Mounted Power Module:  
 AC Outlets (2): 120VAC, 60HZ, 15A max  
 Output, USB: PD3.0 up to 65W



Item	USB-C1	USB-C2	USB-A
Single Port	65W	20W	18W
	45W	20W	
Dual Port	45W		18W
			15W
Triple Port	45W	15W	

**Part Numbers**

PWRG-ACC-TD-STRP-\_\_ Power Strip w/Standard Module



**POWER STRIP W/HARDWIRED WIRELESS SURFACE POWER MODULE**

**Finishes**

- White  
WH
- Black  
BK

**Features**

Power Strip: 6 power receptacles  
 Power Module: 2 power receptacles  
 1 USB-A charger port  
 2 USB-C charger ports  
 Can charge laptop up to 65 Watts  
 (requires 5A-Rated USB-C cable)

Conforms and tested to  
 UL 962A, UL 1310, and UL 498 standards

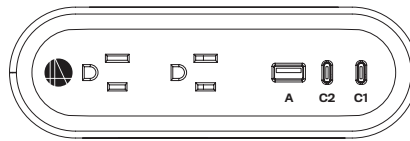
Tamper-resistant (TR) AC outlets  
 Integrated circuit breaker

**Dimensions**

Surface Unit: 7.1" x 3.1" x 3.4"  
 Power Strip: 14.6" x 2.4" x 1.5"  
 Cord Length:  
 Input: 9'  
 Between Units: 3'

**Specifications**

Input: 125VAC, 60Hz, 15A max  
 Output, Power Strip:  
 AC Outlets (6): 120VAC, 60HZ, 12A max  
 Output, Surface Mounted Power Module:  
 AC Outlets (2): 120VAC, 60HZ, 15A max  
 Output, USB: PD3.0 up to 65W



Item	USB-C1	USB-C2	USB-A
Single Port	65W	20W	18W
	45W	20W	
Dual Port	45W		18W
			15W
Triple Port	45W	15W	

**Part Numbers**

PWR-ACC-WRLS-STRP-\_\_ Power Strip w/Wireless Module



**POWER STRIP**

**Finishes**

- White  
WH
- Black  
BK

**Features**

- 6 power receptacles
- Conforms and tested to UL 962A and UL 498 standards
- Tamper-resistant (TR) AC outlets
- Integrated circuit breaker

**Specifications**

- Input: 125VAC, 60Hz, 15A max
- Output:  
AC Outlets (6): 120VAC, 60HZ, 15A max

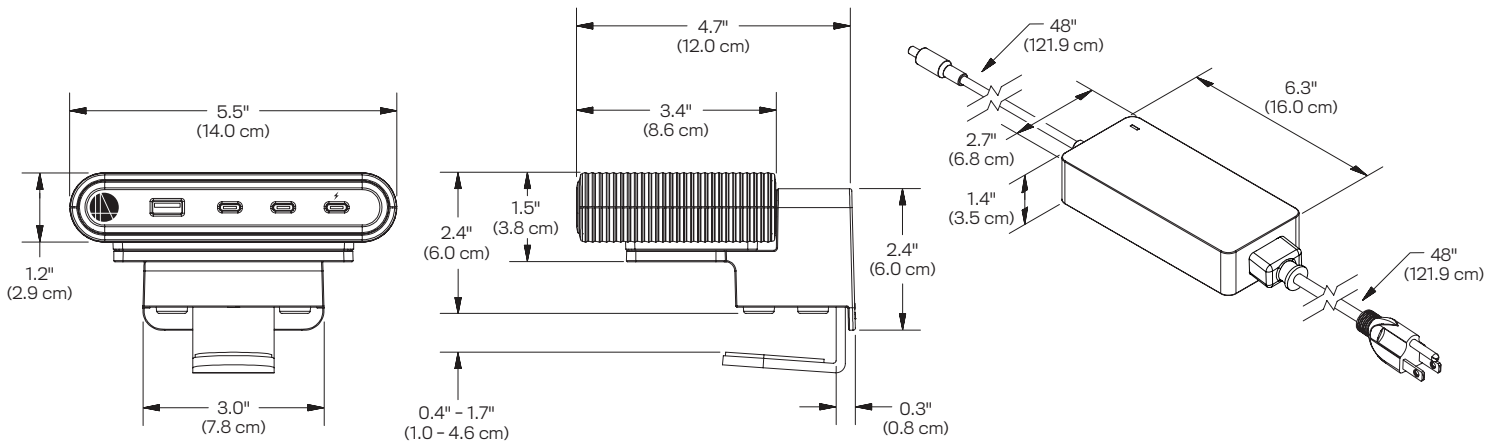
**Dimensions**

- Product: 14.6" x 2.4" x 1.5"
- Cord Length: 9'

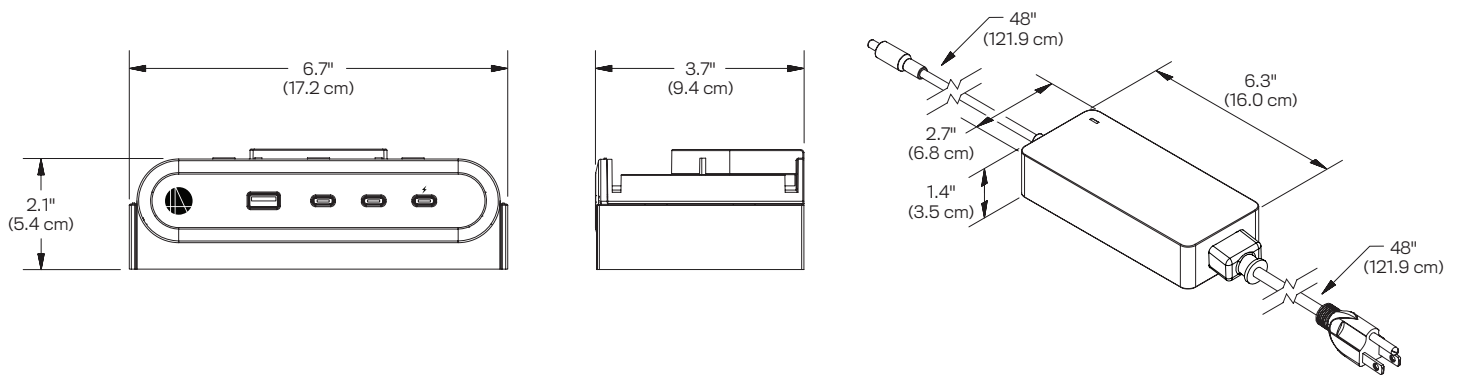
**Part Numbers**

- PWR-STRP-\_\_ Power Strip

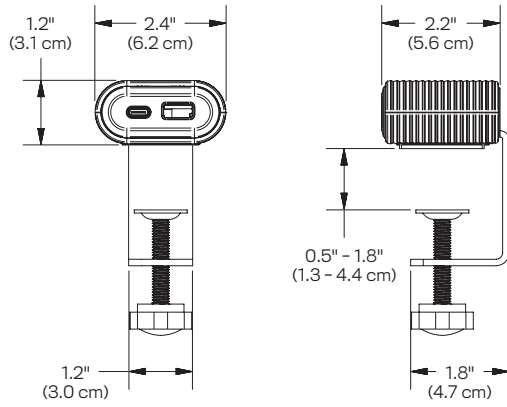
**PWRG-ACCC-TD-B**



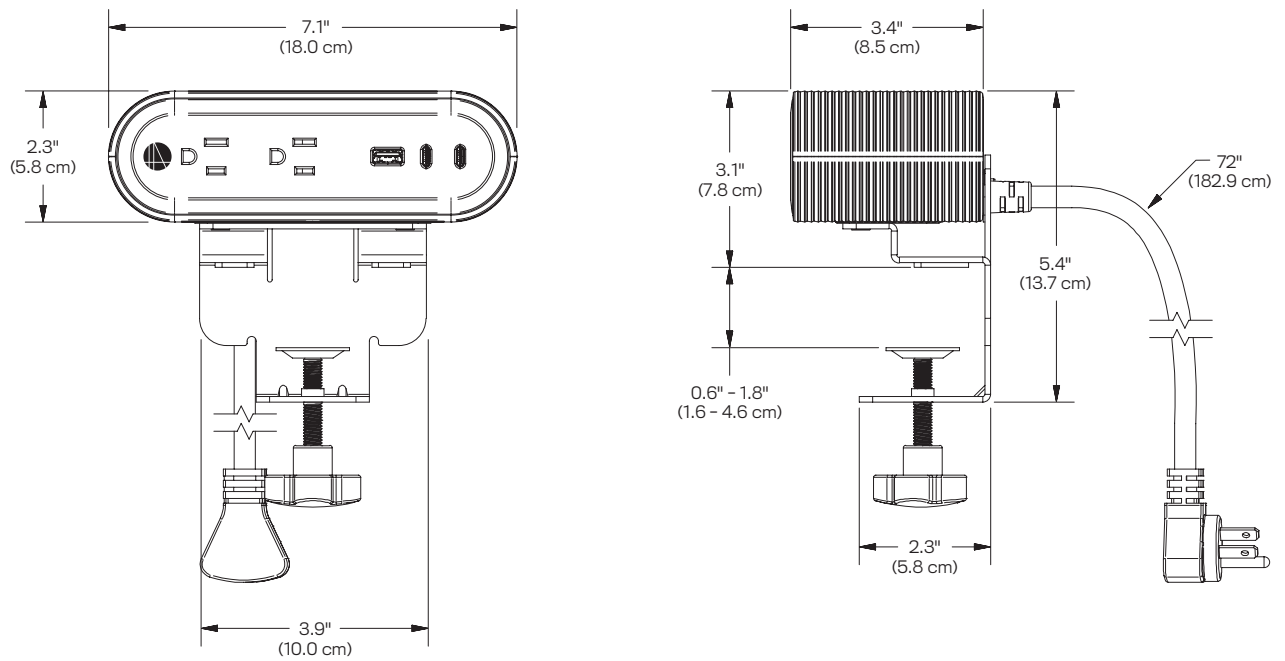
**PWRG-ACCC-IM-B**



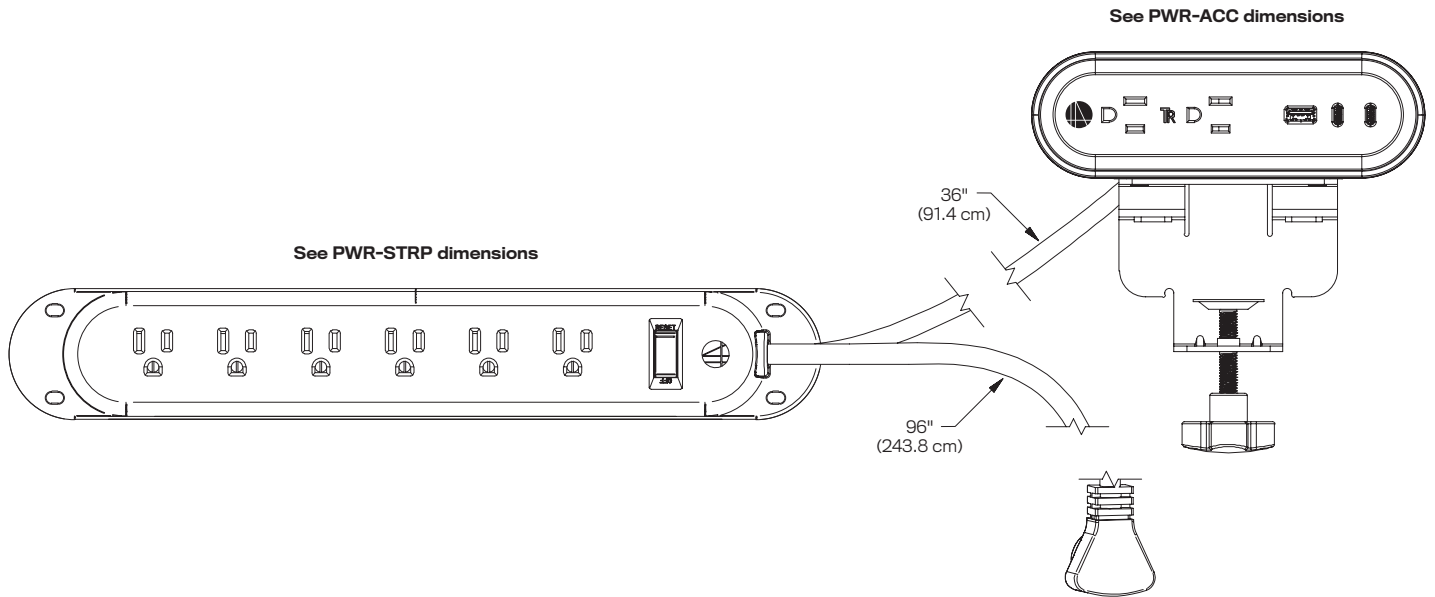
PWR-AC



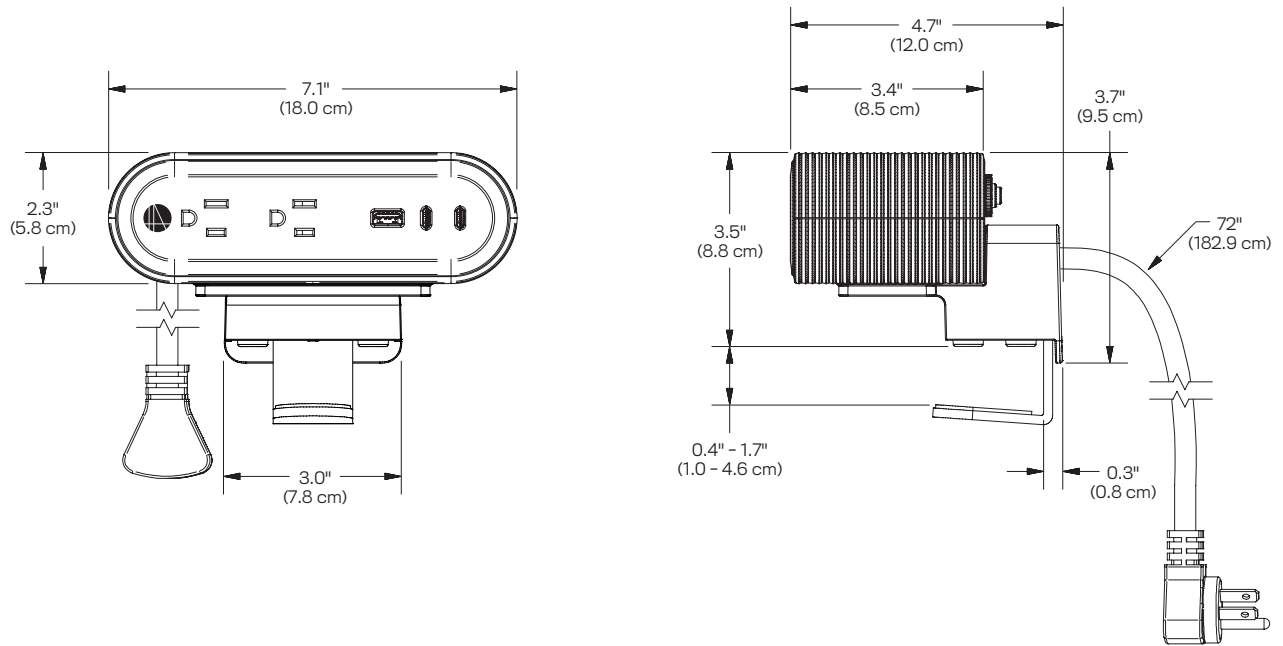
PWR-ACC | PWR-ACC-WRLS



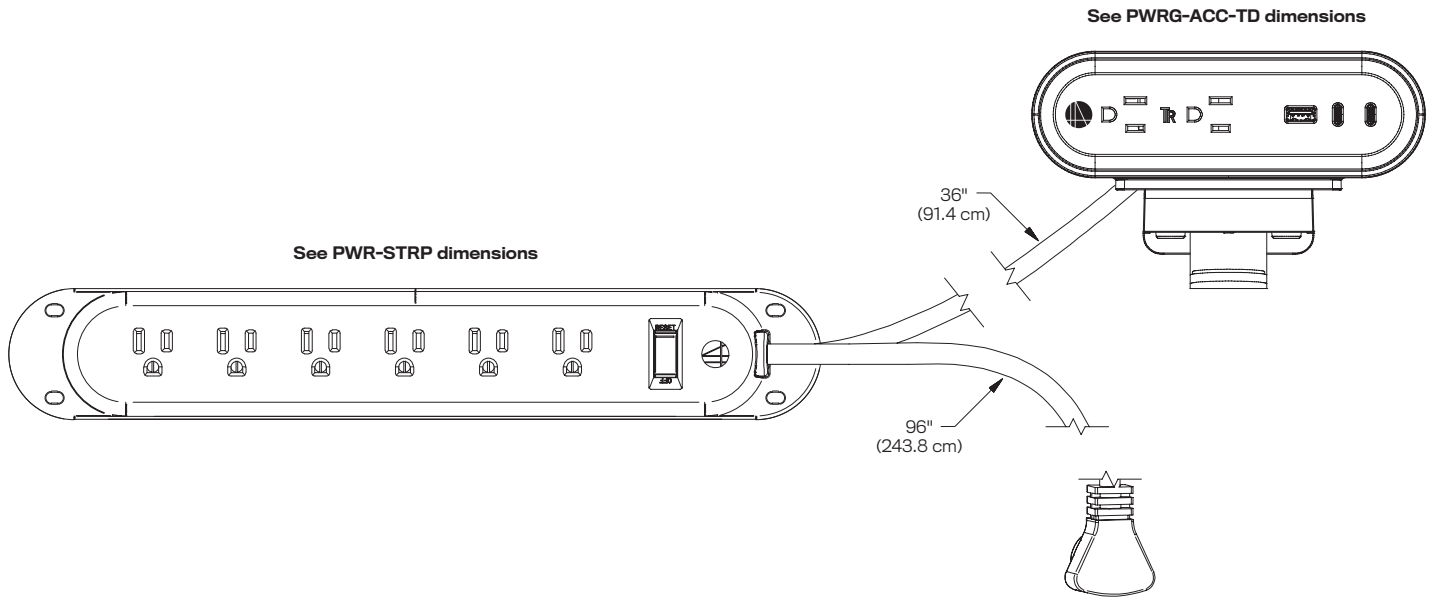
PWR-ACC-WRLS-STRP



PWRG-ACC-TD | PWRG-ACCW-TD



PWRG-ACC-TD-STRP



PWR-STRP

