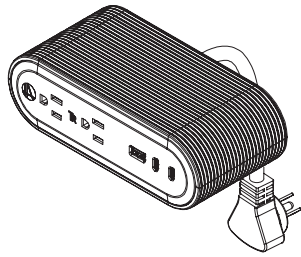
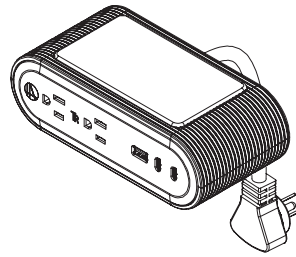


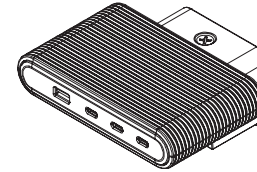
**PWR-AC**



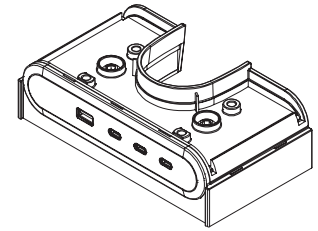
**PWR-ACC  
PWR-ACC-TD**



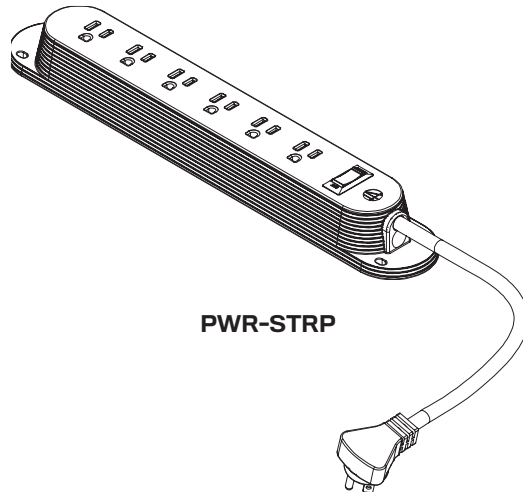
**PWR-ACC-WRLS  
PWR-ACCW-TD**



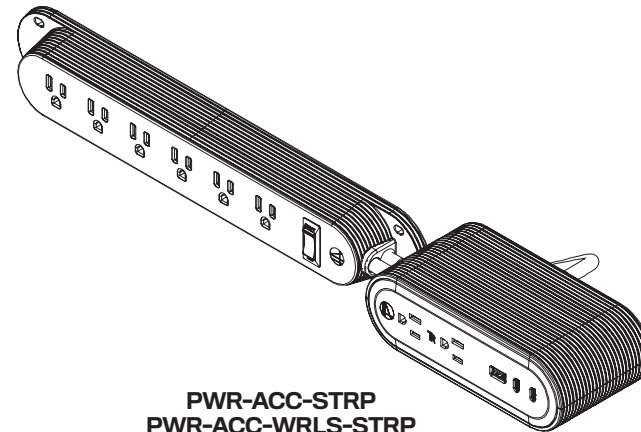
**PWR-ACCC-TD**



**PWR-ACCC-IM**




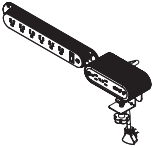


**PWR-STRP**


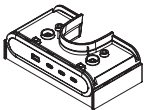

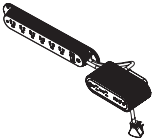


**PWR-ACC-STRP  
PWR-ACC-WRLS-STRP  
PWR-ACC-TD-STRP  
PWR-ACCW-TD-STRP**

# PARTS LIST

	<b>A</b> PPh M4.8 x 22 Self Tapping 717937	<b>B</b> Under Mount Adapter 117942	<b>C</b> Side Mount Adapter 117941	<b>D</b> PPh M4.2 x 16 Self Tapping 717935	<b>E</b> Plastic-Head Thumb Screw 717918W	<b>F</b> PhFHMS M3.5 x 0.6mm x 6mm 718122	<b>G</b> ACDC Adapter 180W 718814	<b>H</b> 4' Power Cord 718819-X	<b>I</b> USB-C Cable, 5A, 3'	<b>J</b> BHSCS, M8-1.25 x 30mm 713786
<b>PWR-AC</b> 	-	1x	1x	2x	1x	1x	-	-	-	-
<b>PWR-ACC</b> <b>PWR-ACC-WRLS</b> 	-	-	-	-	-	-	-	-	-	-
<b>PWR-STRP</b> 	4x	-	-	-	-	-	-	-	-	-
<b>PWR-ACC-STRP</b> <b>PWR-ACC-WRLS-STRP</b> 	4x	-	-	-	-	-	-	-	-	-

# PARTS LIST CONTINUED

	<b>A</b> PPh M4.8 x 22 Self Tapping 717937	<b>B</b> Under Mount Adapter 117942	<b>C</b> Side Mount Adapter 117941	<b>D</b> PPh M4.2 x 16 Self Tapping 717935	<b>E</b> Plastic-Head Thumb Screw 717918W	<b>F</b> PhFHMS M3.5 x 0.6mm x 6mm 718122	<b>G</b> ACDC Adapter 180W 718814	<b>H</b> 4' Power Cord 718819-X	<b>I</b> USB-C Cable, 5A, 3'	<b>J</b> BHSCS, M8-1.25 x 30mm 713786
<b>PWR-ACCC-TD</b> 	-	-	-	-	-	-	1x	1x	1x	-
<b>PWR-ACCC-IM</b> 	-	-	-	-	-	-	1x	1x	1x	2x
<b>PWR-ACC-TD</b> <b>PWR-ACCW-TD</b> 	-	-	-	-	-	-	-	-	-	-
<b>PWR-ACC-TD-STRP</b> <b>PWR-ACC-TD-WRLS-STRP</b> 	-	-	-	-	-	-	-	-	-	-

---

## IMPORTANT SAFETY INSTRUCTIONS

### **WARNING - Risk of Electric Shock, Fire, and Injury.**

#### **To reduce the risks of burns, fire, electric shock, or injury to persons:**

- Always unplug this unit from the electrical outlet before installing or removing it.
- Use only indoors.
- Dry location use only.
- Do not operate where aerosol (spray) products are being used or where oxygen is being administered.
- Never operate this unit if it has a damaged cord or plug, if it is not working properly, if it has been dropped or damaged, or dropped into water. Return the furnishing to a service center for examination and repair.
- Do not install this unit near heated surfaces/sources.
- Do not open the unit due to risk of electric shock hazard. No user serviceable parts inside.
- Never drop or insert any object into any opening.
- Connect this unit to a properly grounded outlet/receptacle only.

---

This device complies with Part 15 of the FCC Rules. Operation is subject to the following two conditions: (1) this device may not cause harmful interference, and (2) this device must accept any interference received, including interference that may cause undesired operation.

Changes or modifications not expressly approved by the party responsible for compliance could void the user's authority to operate the equipment.

This equipment has been tested and found to comply with the limits for a Class B digital device, pursuant to part 15 of the FCC Rules. These limits are designed to provide reasonable protection against harmful interference in a residential installation. This equipment generates uses and can radiate radio frequency energy and, if not installed and used in accordance with the instructions, may cause harmful interference to radio communications. However, there is no guarantee that interference will not occur in a particular installation.

---

## CONSIGNES DE SECURITE IMPORTANTES

### **AVERTISSEMENT - Risque de choc électrique, d'incendie et de blessure.**

#### **Pour réduire les risques de brûlures, d'incendie, de choc électrique ou de blessure:**

- Toujours débrancher cet appareil de la prise électrique avant de l'installer ou de le retirer.
- Utiliser uniquement à l'intérieur.
- Pour utilisation dans un endroit sec seulement.
- Ne pas utiliser l'appareil là où des produits en aérosol (vaporisateurs) sont employés ou là où de l'oxygène est administré.
- Ne jamais utiliser cet appareil s'il a un cordon ou une fiche endommagé(e), s'il ne fonctionne pas correctement, s'il a été échappé ou endommagé, ou s'il est tombé dans l'eau. Retourner le meuble à un centre de service pour inspection et réparation.
- Ne pas installer cet appareil près de surfaces ou sources chauffantes.
- Ne pas ouvrir l'appareil en raison du risque de choc électrique. Aucune pièce réparable par l'utilisateur à l'intérieur.
- Ne jamais insérer ni faire tomber un objet dans une ouverture.
- Brancher cet appareil uniquement à une prise correctement mise à la terre.

---

If this equipment does cause harmful interference to radio or television reception, which can be determined by turning the equipment off and on, the user is encouraged to try to correct the interference by one or more of the following measures:

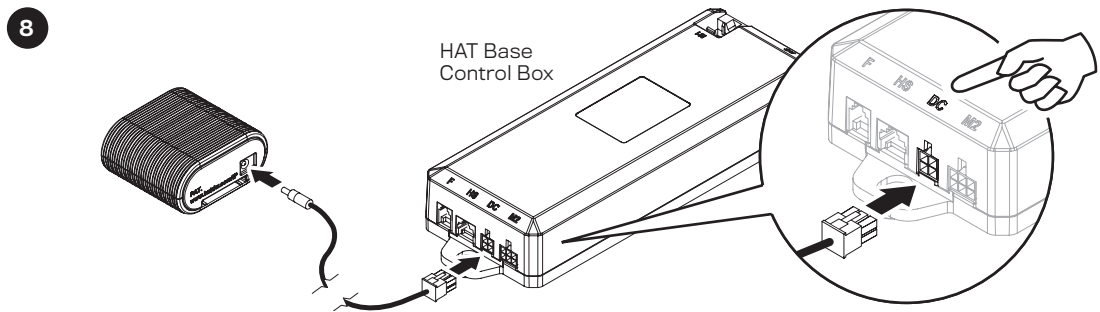
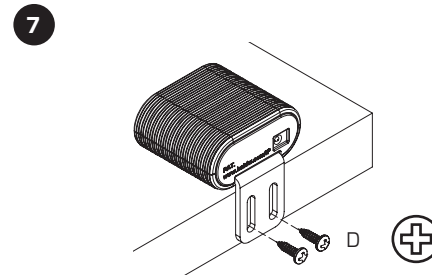
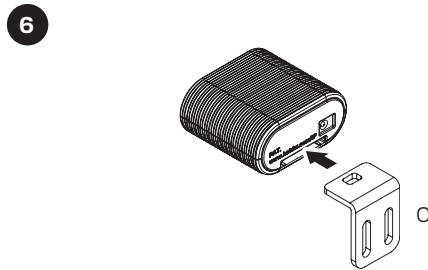
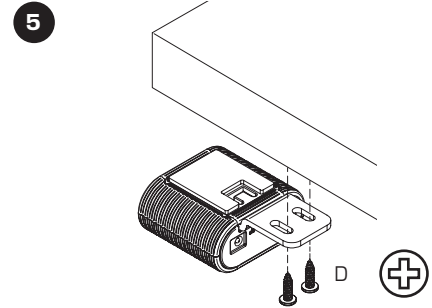
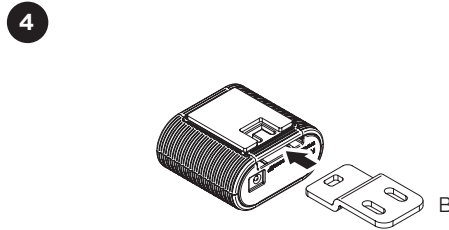
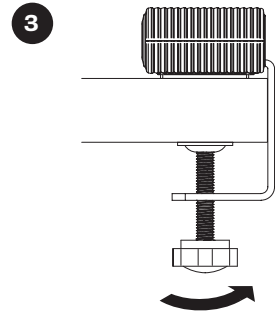
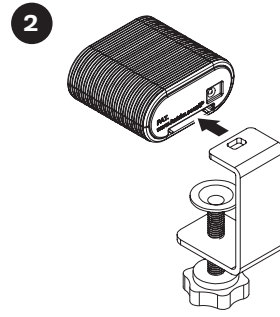
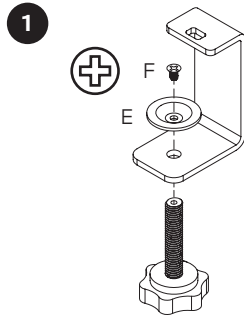
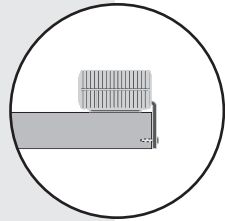
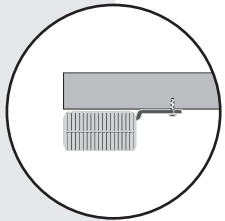
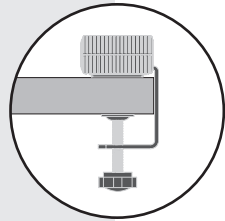
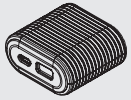
- Reorient or relocate the receiving antenna.
- Increase the separation between the equipment and receiver.
- Connect the equipment into an outlet on a circuit different from that to which the receiver is connected.
- Consult the dealer or an experienced radio/TV technician for help.

#### **MPE Requirements**

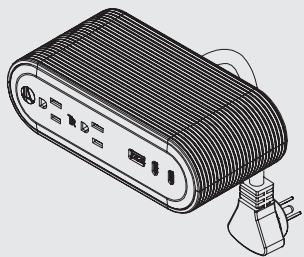
To satisfy FCC RF exposure requirements, a separation distance of 20 cm or more should be maintained between the antenna of this device and persons during device operation.

To ensure compliance, operations at closer than this distance is not recommended.

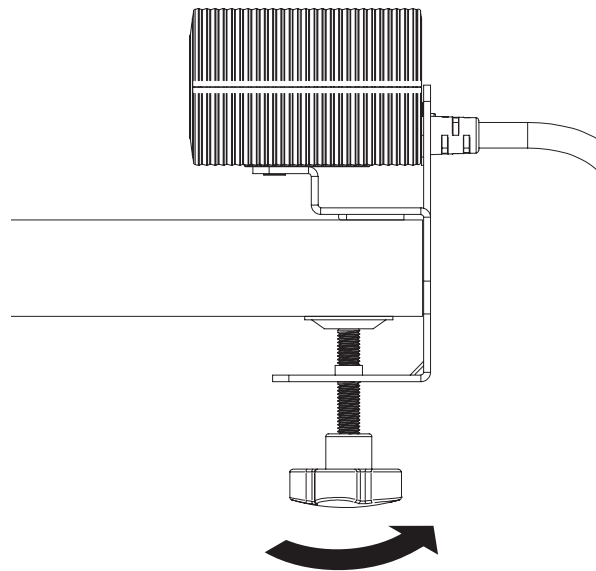
# PWR-AC



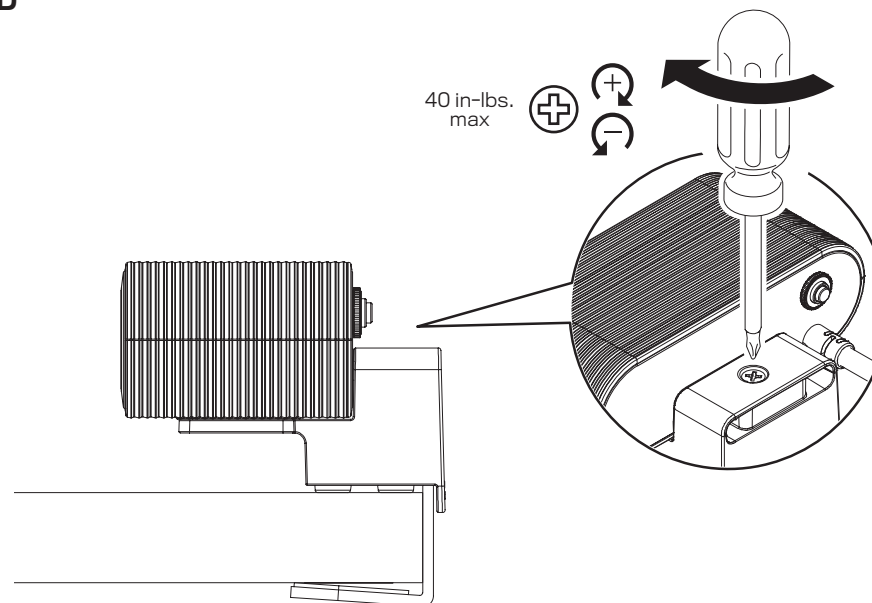
**PWR-AC  
PWR-ACC-TD**



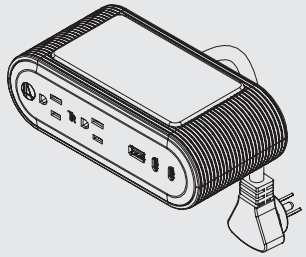
**PWR-ACC**



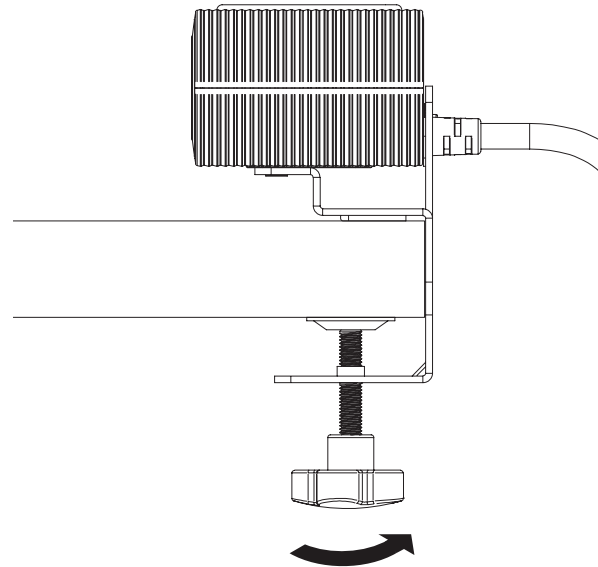
**PWR-ACC-TD**



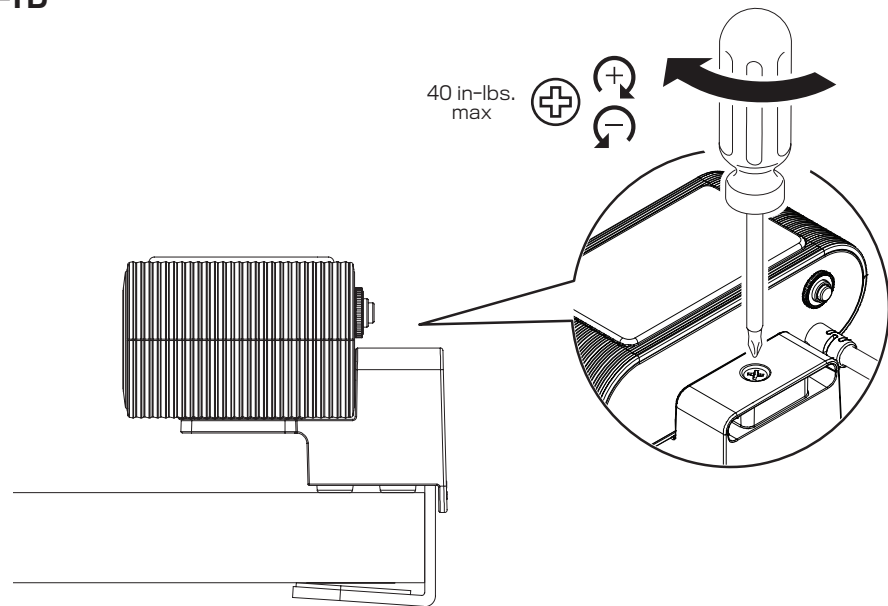
**PWR-ACC-WRLS**  
**PWR-ACCW-TD**



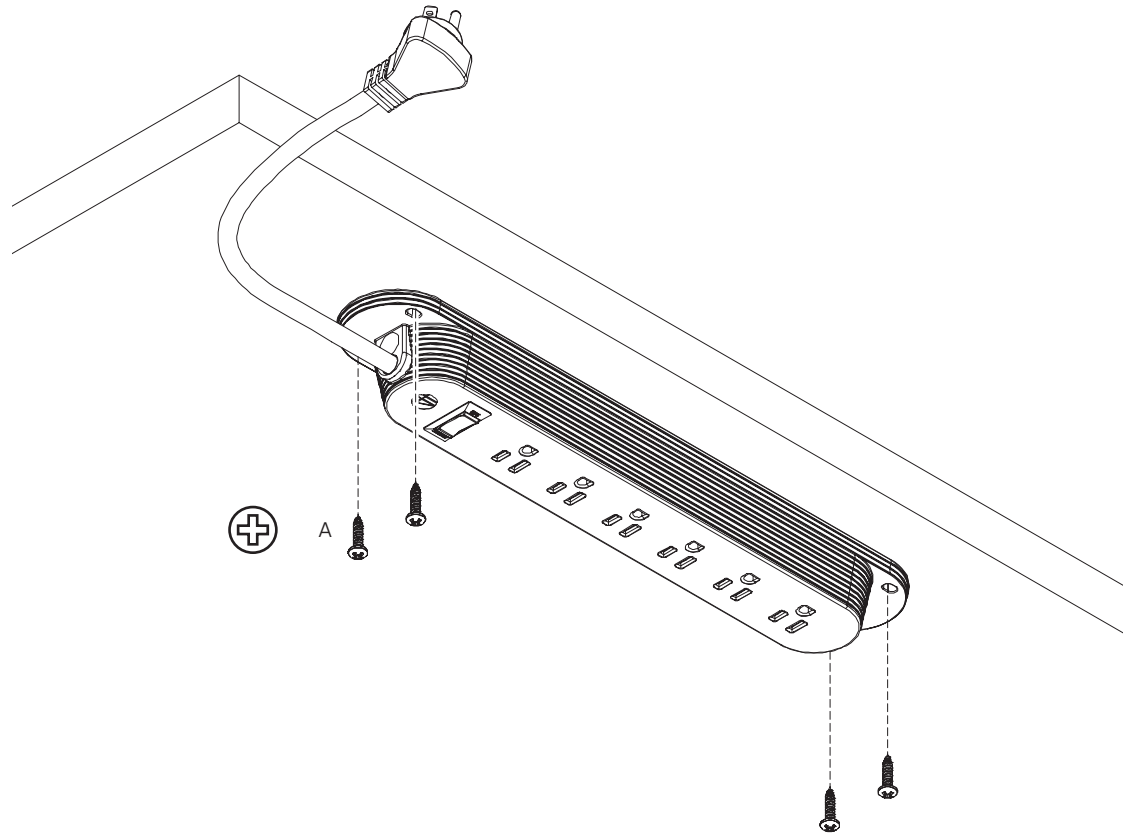
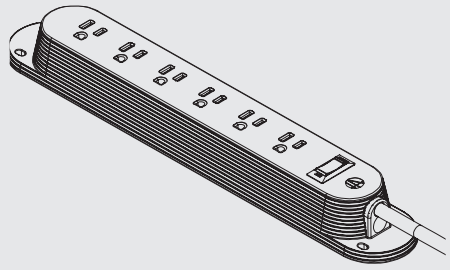
**PWR-ACC-WRLS**



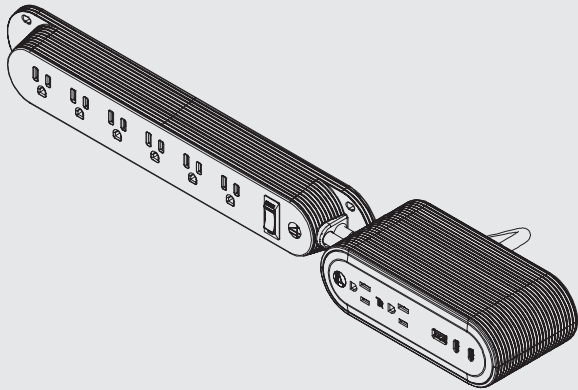
**PWR-ACCW-TD**



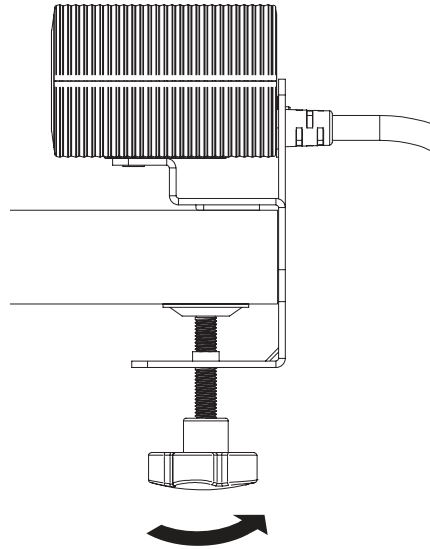
# PWR-STRP



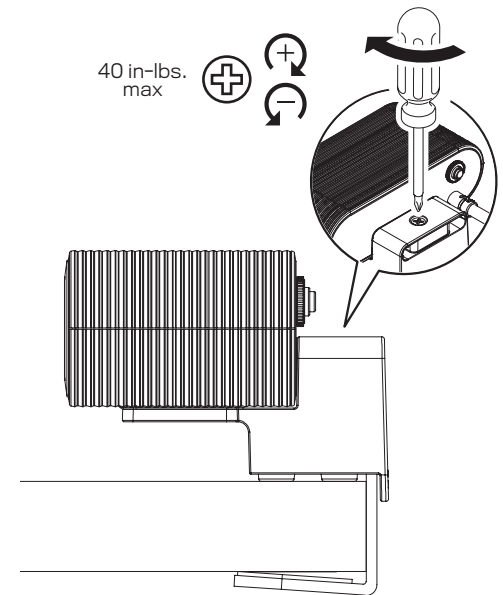
**PWR-ACC-STRP**  
**PWR-ACC-WRLS-STRP**  
**PWR-ACCW-TD-STRP**  
**PWR-ACCW-TD-STRP**



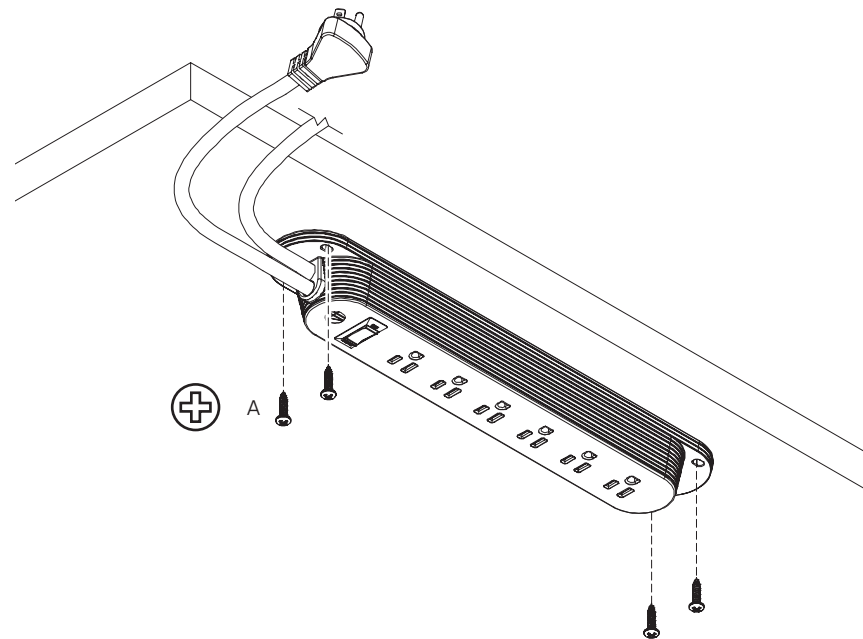
**1a** **PWR-ACC-STRP**  
**PWR-ACC-WRLS-STRP**



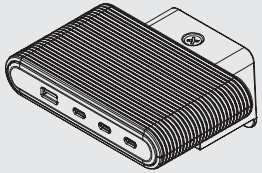
**1b** **PWR-ACCW-TD-STRP**  
**PWR-ACC-TD-STRP**



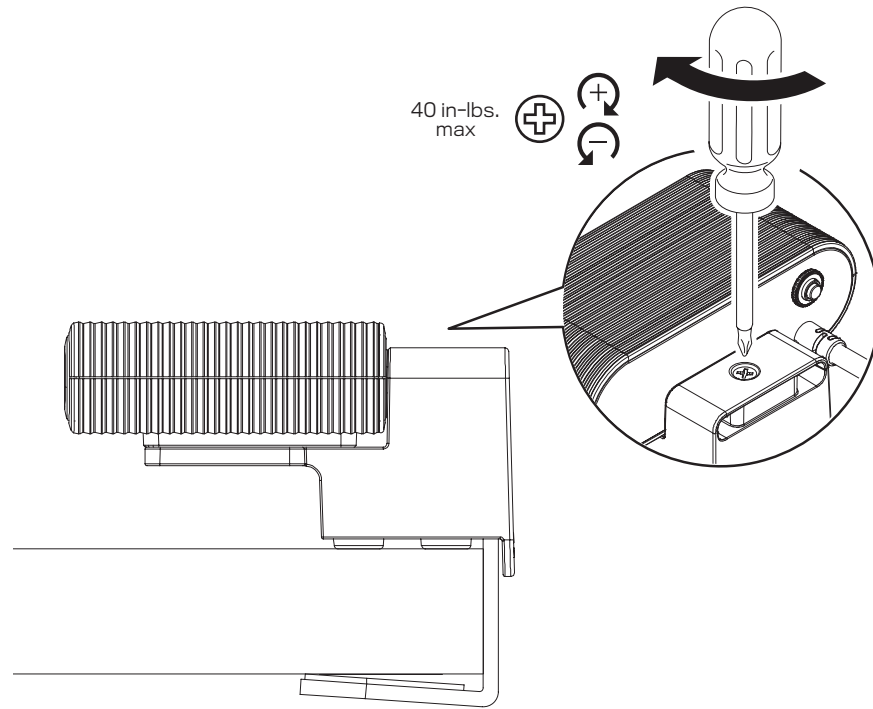
**2**



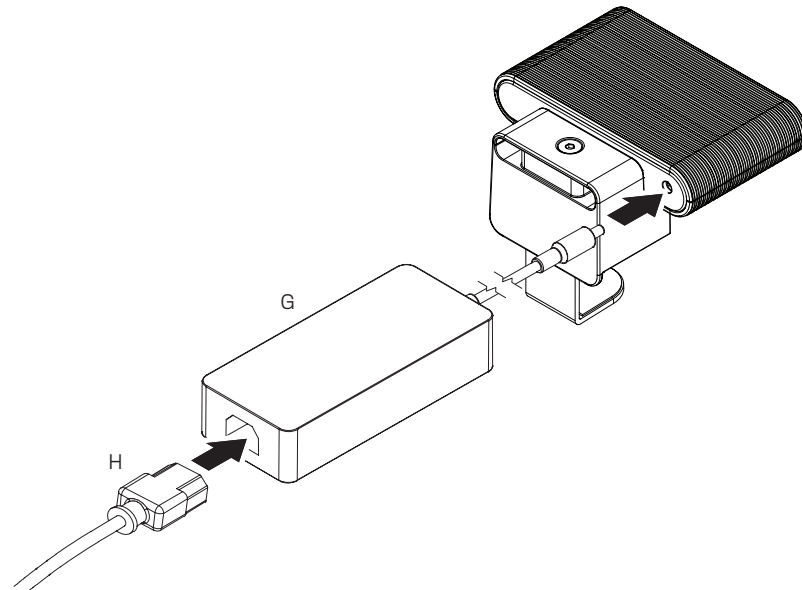
# PWR-ACCC-TD



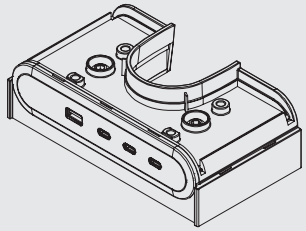
1



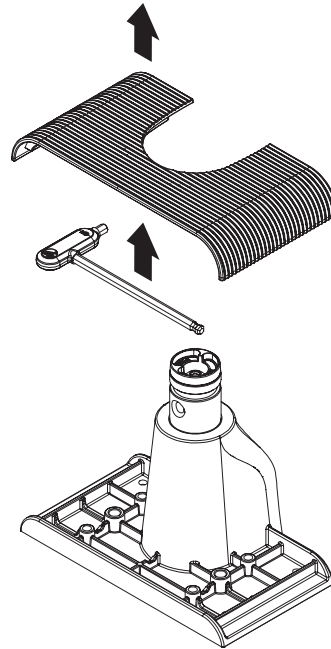
2



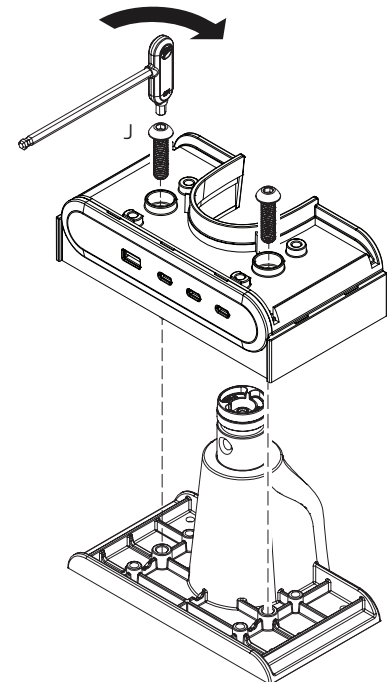
# PWR-ACCC-IM



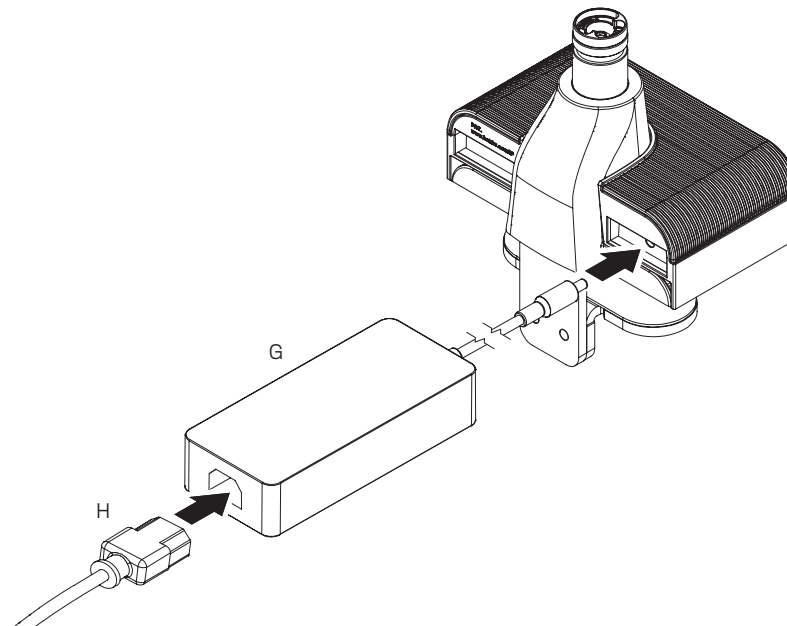
1



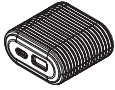
2



3



# SPECIFICATIONS

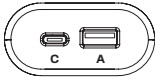


## PWR-AC

### Features

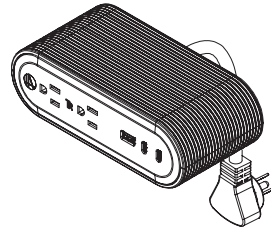
1 USB-A charger port  
 1 USB-C charger port  
 Can charge laptop up to 65 Watts (requires 5A-Rated USB-C cable)  
 Mount: Desk edge/surface mount, under mount, edge mount (desk edge/surface mount: 0.5" - 1.75")

Specifications  
 Input: DC, 65W max from HAT Base Control Box  
 Output:  
 Single Port in Use:  
 USB-C: QC2.0, QC3.0, PD3.0, PPS, 65W max  
 USB-A: 5V/2A, 10W max  
 Both Ports In Use:  
 USB-C: 20V2.25A max  
 USB-A: 5V2A max



Item	USB-C	USB-A
Single Port	65W	10W
Dual Port	45W	10W

\* Compatible with HAT bases only



## PWR-ACC PWR-ACC-TD

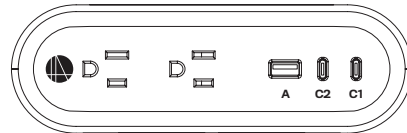
### Features

2 power receptacles  
 1 USB-A charger port  
 2 USB-C charger ports  
 Can charge laptop up to 65 Watts  
 Mount: Clamp mount: 0.75" - 1.75" (PWR-ACC)  
 Top down mount: 0.4" - 1.7" (PWR-ACC-TD)

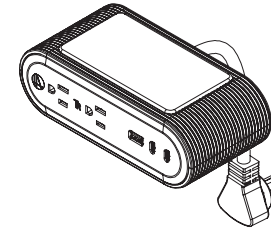
Conforms and tested to  
 UL 962A and UL 1310 standards  
 Tamper-resistant (TR) AC outlets  
 Integrated circuit breaker

### Specifications

Input: 125VAC, 60Hz, 15A max  
 Output:  
 AC Outlets (2): 120VAC, 60HZ, 15A max  
 Single port use:  
 USB-A: 5V3A, 9V2.A, 12V1.5, 18W max  
 USB-C1: 5V/3A, 9V3A, 12V3A, 15V3A, 20V3.25A;  
 PPS (3.3-11V4.05A, 3.3-16V3A, 65W max);  
 PD3.0, APPLE2.4A, DCP1.5A, QC2.0/3.0, AFC  
 USB-C2: 5V3A, 9V2.22A, 12V1.67A, 20W max  
 Multi port use:  
 USB-C1 + USB-C2: USB-C1 max 45W (5V3A, 9V3A, 12V3A, 15V2.67A, 20V2.25A); USB-C2 max 20W (5V3A, 9V2.22A, 12V1.67A)  
 USB-C1 + USB-A: USB-C1 max 45W (5V3A, 9V3A, 12V3A, 15V2.67A, 20V2.25A); USB-A max 18W (5V3A, 9V2.A, 12V1.5, 18W max)  
 USB-C2 + USB-A: Both share 15W  
 USB-C1 + USB-C2 + USB-A: USB-C1 max 45W (5V3A, 9V3A, 12V3A, 15V2.67A, 20V2.25A);  
 USB-C2 & USB-A share 15W



Item	USB-C1	USB-C2	USB-A
Single Port	65W	20W	18W
Dual Port	45W	20W	18W
		15W	
Triple Port	45W	15W	



## PWR-ACC PWR-ACC-TD

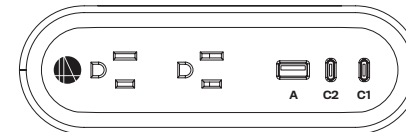
### Features

2 power receptacles  
 1 USB-A charger port  
 2 USB-C charger ports  
 Can charge laptop up to 65 Watts  
 Mount: Clamp mount: 0.75" - 1.75" (PWR-ACC)  
 Top down mount: 0.4" - 1.7" (PWR-ACC-TD)

Conforms and tested to  
 UL 962A and UL 1310 standards  
 Tamper-resistant (TR) AC outlets  
 Integrated circuit breaker

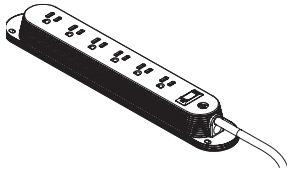
### Specifications

Input: 125VAC, 60Hz, 15A max  
 Output:  
 AC Outlets (2): 120VAC, 60HZ, 15A max  
 Single port use:  
 USB-A: 5V3A, 9V2.A, 12V1.5, 18W max  
 USB-C1: 5V/3A, 9V3A, 12V3A, 15V3A, 20V3.25A; PPS (3.3-11V4.05A, 3.3-16V3A, 65W max), PD3.0, APPLE2.4A, DCP1.5A, QC2.0/3.0, AFC  
 USB-C2: 5V3A, 9V2.22A, 12V1.67A, 20W max  
 Multi port use:  
 USB-C1 + USB-C2: USB-C1 max 45W (5V3A, 9V3A, 12V3A, 15V2.67A, 20V2.25A); USB-C2 max 20W (5V3A, 9V2.22A, 12V1.67A)  
 USB-C1 + USB-A : USB-C1 max 45W (5V3A, 9V3A, 12V3A, 15V2.67A, 20V2.25A); USB-A max 18W (5V3A, 9V2.A, 12V1.5, 18W max)  
 USB-C2 + USB-A : Both share 15W  
 USB-C1 + USB-C2 + USB-A : USB-C1 max 45W (5V3A, 9V3A, 12V3A, 15V2.67A, 20V2.25A);  
 USB-C2 & USB-A share 15W;  
 Wireless Charging: 5W, 7.5W, 10W, 15W (auto detection)



Item	USB-C1	USB-C2	USB-A
Single Port	65W	20W	18W
Dual Port	45W	20W	18W
		15W	
Triple Port	45W	15W	

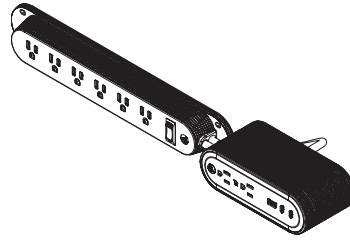
# SPECIFICATIONS CONTINUED



## PWR-AC

**Features**  
 6 power receptacles  
 Conforms and tested to  
 UL 962A and UL 498 standards  
 Tamper-resistant (TR) AC outlets  
 Integrated circuit breaker

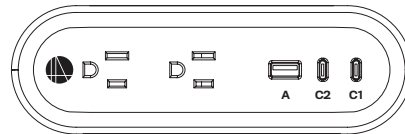
**Specifications**  
 Input: 125VAC, 60Hz, 15A max  
 Output: AC Outlets (6): 120VAC, 60HZ, 15A max



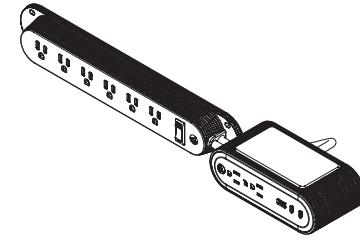
## PWR-ACC-STRP PWR-ACC-TD-STRP

**Features**  
 Power Strip: 6 power receptacles  
 Power Module: 2 power receptacles  
 1 USB-A charger port  
 2 USB-C charger ports  
 Can charge laptop up to 65 Watts (requires 5A-Rated USB-C cable)  
 Conforms and tested to  
 UL 962A, UL 1310, and UL 498 standards  
 Tamper-resistant (TR) AC outlets  
 Integrated circuit breaker

**Specifications**  
 Input: 125VAC, 60Hz, 15A max  
 Output, Power Strip:  
 AC Outlets (6): 120VAC, 60HZ, 12A max  
 Output, Surface Mounted Power Module:  
 AC Outlets (2): 120VAC, 60HZ, 15A max  
 USB:  
 Single Port Use:  
 USB-A: 5V3A, 9V2.A, 12V1.5, 18W max  
 USB-C1: 5V/3A, 9V3A, 12V3A, 15V3A, 20V3.25A; PPS (3.3-11V4.05A, 3.3-16V3A, 65W max), PD3.0, APPLE2.4A, DCP1.5A, QC2.0/3.0, AFC  
 USB-C2: 5V3A, 9V2.22A, 12V1.67A, 20W max  
 Multi Port Use:  
 USB-C1 + USB-C2: USB-C1 max 45W (5V3A, 9V3A, 12V3A, 15V2.67A, 20V2.25A); USB-C2 max 20W (5V3A, 9V2.22A, 12V1.67A)  
 USB-C1 + USB-A: USB-C1 max 45W (5V3A, 9V3A, 12V3A, 15V2.67A, 20V2.25A); USB-A max 18W (5V3A, 9V2.A, 12V1.5, 18W max)  
 USB-C2 + USB-A: Both share 15W  
 USB-C1 + USB-C2 + USB-A : USB-C1 max 45W (5V3A, 9V3A, 9V3A, 12V3A, 15V2.67A, 20V2.25A);  
 USB-C2 & USB-A share 15W



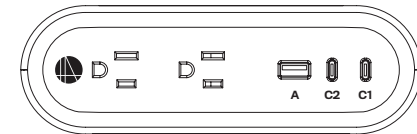
Item	USB-C1	USB-C2	USB-A
Single Port	65W	20W	18W
	45W	20W	
Dual Port	45W		18W
			15W
Triple Port	45W		15W



## PWR-ACC-WRLS-STRP PWR-ACCW-TD-STRP

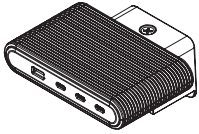
**Features**  
 1 USB-A charger port  
 1 USB-C charger port  
 Can charge laptop up to 65 Watts (requires 5A-Rated USB-C cable)  
 Fast wireless charging  
 Mount: Desk edge/surface mount,  
 under mount, edge mount  
 (Desk edge/surface mount: 0.5" - 1.75")

**Specifications**  
 Input: 125VAC, 60Hz, 15A max  
 Output, Power Strip:  
 AC Outlets (6): 120VAC, 60HZ, 12A max  
 Output, Surface Mounted Power Module:  
 AC Outlets (2): 120VAC, 60HZ, 15A max  
 USB:  
 Single Port Use:  
 USB-A: 5V3A, 9V2.A, 12V1.5, 18W max  
 USB-C1: 5V/3A, 9V3A, 12V3A, 15V3A, 20V3.25A; PPS (3.3-11V4.05A, 3.3-16V3A, 65W max), PD3.0, APPLE2.4A, DCP1.5A, QC2.0/3.0, AFC  
 USB-C2: 5V3A, 9V2.22A, 12V1.67A, 20W max  
 Multi Port Use:  
 USB-C1 + USB-C2: USB-C1 max 45W (5V3A, 9V3A, 12V3A, 15V2.67A, 20V2.25A); USB-C2 max 20W (5V3A, 9V2.22A, 12V1.67A)  
 USB-C1 + USB-A: USB-C1 max 45W (5V3A, 9V3A, 12V3A, 15V2.67A, 20V2.25A); USB-A max 18W (5V3A, 9V2.A, 12V1.5, 18W max)  
 USB-C2 + USB-A: Both share 15W  
 USB-C1 + USB-C2 + USB-A : USB-C1 max 45W (5V3A, 9V3A, 9V3A, 12V3A, 15V2.67A, 20V2.25A);  
 USB-C2 & USB-A share 15W  
 Wireless Charging: 5W, 7.5W, 10W, 15W (auto detection)



Item	USB-C1	USB-C2	USB-A
Single Port	65W	20W	18W
	45W	20W	
Dual Port	45W		18W
			15W
Triple Port	45W		15W

# SPECIFICATIONS CONTINUED



## PWR-ACCC-TD

### Features

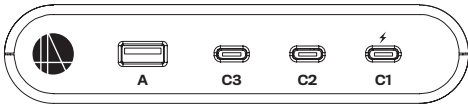
- 1 USB-A charger port
- 3 USB-C charger ports
- Up to 140 Watts
- Top down mount: Desk edge 0.4" - 1.7"
- Grommet hole min. Ø 2"

### Conforms and tested to:

- UL62368-1
- CSA C22.2 NO. 62368-1
- FCC 47CFR Part 15
- ANSI C63.4 (2014) +A1 (2017)EN 62368-1
- EN IEC 61000-6-1
- EN IEC 61000-6-3
- AS/NZS 61000.6.3
- AS/NZS 62368.1

### Specifications

- Input: 100-240V, ~50/60Hz, 2.5A Max.
- Output: PD3.1 up to 140W



Item	USB-C1	USB-C2	USB-C3	USB-A
<b>Single Port</b>	140W	45W	45W	18W
<b>Dual Port</b>	100W	30W		
	100W		30W	
	100W			18W
		45W	45W	
<b>Triple Port</b>		45W		18W
			15W	
	100W	20W	20W	
	100W	20W		18W
				15W
<b>Quadruple Port</b>	100W	20W	10W	

### Single Port:

- USB-C1: 5V/3A, 9V/3A, 12V/3A, 15V/3A, 20V/5A, 28V/5A, 140W MAX.
- USB-C2: 5V/3A, 9V/3A, 12V/3A, 15V/3A, 20V/2.25A, 45W MAX.
- USB-C3: 5V/3A, 9V/3A, 12V/3A, 15V/3A, 20V/2.25A, 45W MAX.
- USB-A: 5V/3A, 9V/2A, 12V/1.5A, 18W MAX.

### Dual Ports:

- USB-C1+USB-C2
- USB-C1: 5V/3A, 9V/3A, 12V/3A, 15V/3A, 20V/5A, Max. 100W
- USB-C2: 5V/3A, 9V/3A, 12V/2.5A, 15V/2A, 20V/1.5A, Max. 30W
- USB-C1+USB-C3
- USB-C1: 5V/3A, 9V/3A, 12V/3A, 15V/3A, 20V/5A, Max. 100W
- USB-C3: 5V/3A, 9V/3A, 12V/2.5A, 15V/2A, 20V/1.5A, Max. 30W
- USB-C2+USB-C3
- USB-C2: 5V/3A, 9V/3A, 12V/3A, 15V/3A, 20V/2.25A, Max. 45W
- USB-C3: 5V/3A, 9V/3A, 12V/3A, 15V/3A, 20V/2.25A, Max. 45W
- USB-C1+USB-A
- USB-C1: 5V/3A, 9V/3A, 12V/3A, 15V/3A, 20V/5A, Max. 100W
- USB-A: 5V/3A, 9V/2A, 12V/1.5A, Max. 18W
- USB-C2+USB-A
- USB-C2: 5V/3A, 9V/3A, 12V/3A, 15V/3A, 20V/2.25A, Max. 45W
- USB-A: 5V/3A, 9V/2A, 12V/1.5A, Max. 18W
- USB-C3+USB-A
- USB-C3: 5V/1.5A, Max. 7.5W
- USB-A: 5V/1.5A, Max. 7.5W

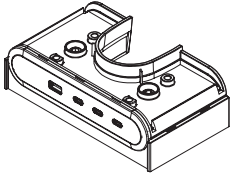
### Triple Ports:

- USB-C1+USB-C2+USB-C3:
- USB-C1: 5V/3A, 9V/3A, 12V/3A, 15V/3A, 20V/5A, Max. 100W
- USB-C2: 5V/3A, 9V/2.2A, 12V/1.67A, Max. 20W
- USB-C3: 5V/3A, 9V/2.2A, 12V/1.67A, Max. 20W
- USB-C1+USB-C2+USB-A:
- USB-C1: 5V/3A, 9V/3A, 12V/3A, 15V/3A, 20V/5A, Max. 100W
- USB-C2: 5V/3A, 9V/2.2A, 12V/1.67A, Max. 20W
- USB-A: 5V/3A, 9V/2A, 12V/1.5A, Max. 18W
- USB-C1+USB-C3+USB-A:
- USB-C1: 5V/3A, 9V/3A, 12V/3A, 15V/3A, 20V/5A, Max. 100W
- USB-C3: 5V/1.5A, Max. 7.5W
- USB-A: 5V/1.5A, Max. 7.5W
- USB-C2+USB-C3+USB-A:
- USB-C2: 5V/3A, 9V/3A, 12V/3A, 15V/3A, 20V/2.25A, Max. 45W
- USB-C3: 5V/1.5A, Max. 7.5W
- USB-A: 5V/1.5A, Max. 7.5W

### Quadruple Ports:

- USB-C1+USB-C2+USB-C3+USB-A:
- USB-C1: 5V/3A, 9V/3A, 12V/3A, 15V/3A, 20V/5A, Max. 100W
- USB-C2: 5V/3A, 9V/2.2A, 12V/1.67A, Max. 20W
- USB-C3: 5V/1A, Max. 5W
- USB-A: 5V/1A, Max. 5W

# SPECIFICATIONS CONTINUED



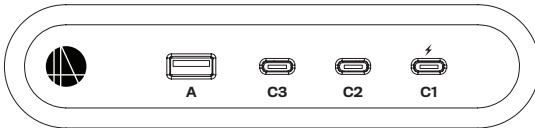
## PWR-ACCC-IM

### Features

- 1 USB-A charger port
- 3 USB-C charger ports
- Up to 140 Watts
- Compatible with E5 Mount
- Conforms and tested to:
  - UL62368-1
  - CSA C22.2 NO. 62368-1
  - FCC 47CFR Part 15
  - ANSI C63.4 (2014) +A1 (2017)EN 62368-1
  - EN IEC 61000-6-1
  - EN IEC 61000-6-3
  - AS/NZS 61000.6.3
  - AS/NZS 62368.1

### Specifications

- Input: 100-240V, ~50/60Hz, 2.5A Max.
- Output: PD3.1 up to 140W



Item	USB-C1	USB-C2	USB-C3	USB-A
<b>Single Port</b>	140W	45W	45W	18W
	100W	30W		
<b>Dual Port</b>	100W		30W	
	100W			18W
		45W	45W	
		45W		18W
			15W	
<b>Triple Port</b>	100W	20W	20W	
	100W	20W		18W
	100W			15W
		45W		15W
<b>Quadruple Port</b>	100W	20W		10W

### Single Port:

- USB-C1: 5V/3A, 9V/3A, 12V/3A, 15V/3A, 20V/5A, 28V/5A, 140W MAX.
- USB-C2: 5V/3A, 9V/3A, 12V/3A, 15V/3A, 20V/2.25A, 45W MAX.
- USB-C3: 5V/3A, 9V/3A, 12V/3A, 15V/3A, 20V/2.25A, 45W MAX.
- USB-A: 5V/3A, 9V/2A, 12V/1.5A, 18W MAX.

### Dual Ports:

- USB-C1+USB-C2
- USB-C1: 5V/3A, 9V/3A, 12V/3A, 15V/3A, 20V/5A, Max. 100W
- USB-C2: 5V/3A, 9V/3A, 12V/2.5A, 15V/2A, 20V/1.5A, Max. 30W
- USB-C1+USB-C3
- USB-C1: 5V/3A, 9V/3A, 12V/3A, 15V/3A, 20V/5A, Max. 100W
- USB-C3: 5V/3A, 9V/3A, 12V/2.5A, 15V/2A, 20V/1.5A, Max. 30W
- USB-C2+USB-C3
- USB-C2: 5V/3A, 9V/3A, 12V/3A, 15V/3A, 20V/2.25A, Max. 45W
- USB-C3: 5V/3A, 9V/3A, 12V/3A, 15V/3A, 20V/2.25A, Max. 45W
- USB-C1+USB-A
- USB-C1: 5V/3A, 9V/3A, 12V/3A, 15V/3A, 20V/5A, Max. 100W
- USB-A: 5V/3A, 9V/2A, 12V/1.5A, Max. 18W

### USB-C2+USB-A

- USB-C2: 5V/3A, 9V/3A, 12V/3A, 15V/3A, 20V/2.25A, Max. 45W
- USB-A: 5V/3A, 9V/2A, 12V/1.5A, Max. 18W
- USB-C3+USB-A
- USB-C3: 5V/1.5A, Max. 7.5W
- USB-A: 5V/1.5A, Max. 7.5W

### Triple Ports:

- USB-C1+USB-C2+USB-C3:
- USB-C1: 5V/3A, 9V/3A, 12V/3A, 15V/3A, 20V/5A, Max. 100W
- USB-C2: 5V/3A, 9V/2.2A, 12V/1.67A, Max. 20W
- USB-C3: 5V/3A, 9V/2.2A, 12V/1.67A, Max. 20W
- USB-C1+USB-C2+USB-A:
- USB-C1: 5V/3A, 9V/3A, 12V/3A, 15V/3A, 20V/5A, Max. 100W
- USB-C2: 5V/3A, 9V/2.2A, 12V/1.67A, Max. 20W
- USB-A: 5V/3A, 9V/2A, 12V/1.5A, Max. 18W
- USB-C1+USB-C3+USB-A:
- USB-C1: 5V/3A, 9V/3A, 12V/3A, 15V/3A, 20V/5A, Max. 100W
- USB-C3: 5V/1.5A, Max. 7.5W
- USB-A: 5V/1.5A, Max. 7.5W
- USB-C2+USB-C3+USB-A:
- USB-C2: 5V/3A, 9V/3A, 12V/3A, 15V/3A, 20V/2.25A, Max. 45W
- USB-C3: 5V/1.5A, Max. 7.5W
- USB-A: 5V/1.5A, Max. 7.5W

### Quadruple Ports:

- USB-C1+USB-C2+USB-C3+USB-A:
- USB-C1: 5V/3A, 9V/3A, 12V/3A, 15V/3A, 20V/5A, Max. 100W
- USB-C2: 5V/3A, 9V/2.2A, 12V/1.67A, Max. 20W
- USB-C3: 5V/1A, Max. 5W
- USB-A: 5V/1A, Max. 5W