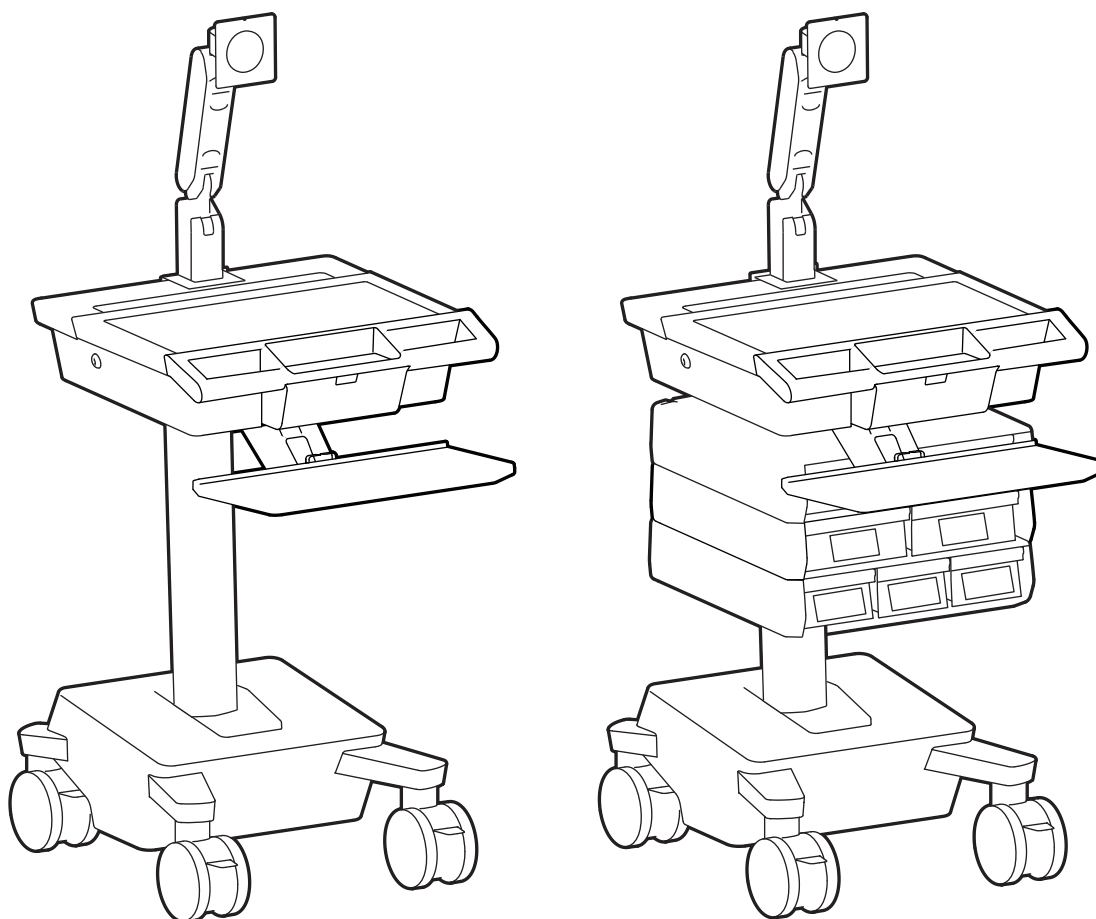


# ergotron®

## mosaic™ Flex Arm Non-Powered



Includes  
Constant Force™  
Technology

**English**



For the latest User Installation Guide please visit: [www.ergotron.com](http://www.ergotron.com)  
English, Español, Français, Deutsch, Nederlands, Italiano, Svenska, Polski, عربي









[www.ergotron.com](http://www.ergotron.com) | USA: 1-800-888-8458 | Europe: +31 (0)33-45 45 600 | China: 400-120-3051 | Japan: [japansupport@ergotron.com](mailto:japansupport@ergotron.com)

Table of Contents	page
Safety	2 - 4
Ergonomics	4
Getting to Know Your Cart	5
Specifications	6
Set-up	7 - 16
Adjustment	9, 10, 16
Drawers	17
Cleaning and Maintenance	18

## Safety

### Hazard Symbols Review

These symbols alert users of a safety condition that demands attention. All users should be able to recognize and understand the significance of the following Safety Hazards if encountered on the product or within the documentation. Children who are not able to recognize and respond appropriately to Safety Alerts should not use this product without adult supervision!

Symbol	Signal Word	Level of Hazard
	INSTRUCTIONS	Refer to instruction manual/booklet. Follow instructions for use.
	CAUTION	A CAUTION indicates either potential damage to hardware or loss of data and tells you how to avoid the problem.
	WARNING	A WARNING indicates either potential for property damage, personal injury, or death.
	DANGER	A DANGER indicates a hazardous situation that, if not avoided, will result in death or serious injury.
	DO NOT PUSH	Do Not push any part of cart other than the handle, cart may tip. Follow 'Moving' instructions in 'Safety' section.
	DO NOT SIT	Do Not sit on cart. Doing so may cause property damage and/or personal injury.
	DO NOT STAND	Do Not stand on cart. Doing so may cause property damage and/or personal injury.
	THIS SIDE UP	Do not tip on side or upside down.

# Safety

**WARNING**  
**AVERTISSEMENT**

Ø14mm (9/16")

**IMPACT HAZARD!**

**MOVING PARTS CAN CRUSH AND CUT.**

**Failure to heed this warning may result in serious personal injury or property damage!**

Minimize Lift Tension BEFORE:  
 Removing Mounted Equipment, Shipping Cart, Storing Cart.

**DANGER D'IMPACT !**

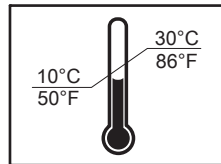
**LES PARTIES EN MOUVEMENT PEUVENT ÉCRASER ET COUPER.**

**Il existe un risque de blessure corporelle ou d'endommagement matériel en cas de non respect de cet avertissement.**

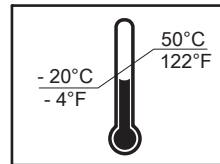
Minimisez la tension d'élévation AVANT :  
 de retirer l'équipement fixé, d'expédier le chariot, de stocker le chariot

[www.ergotron.com](http://www.ergotron.com)

826-501



Operational  
Temperature Range



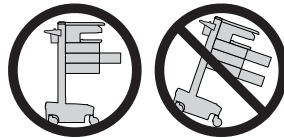
Storage  
Temperature Range



Relative Humidity Range  
Atmospheric Pressure: 50 kPa to 106 kPa



**IMPORTANT!** This product will need tension adjustments once installation is complete. Make sure all equipment is properly installed on the product before attempting range of motion or tension adjustments. Any time equipment is added or changed on this product resulting in a different mounted weight, you should repeat the adjustment steps to ensure safe and optimum operation. This product should move smoothly and easily through the full range of motion and stay where you set it. If movement is difficult or the product does not stay where you set it, follow the adjustment instructions to loosen or tighten the tension to create a smooth, easy motion. Depending on your product and the adjustment, it may take many turns to notice a difference.



**CAUTION:** Open only one drawer at a time. Do Not push cart when drawers are open. Failure to follow these instructions may cause the cart to be unstable.



## Safety Alerts Associated with this Product

The following Warnings/Cautions appear in this reference guide or on the cart:

**NOTE:** Failure to adhere to these guidelines may result in equipment damage or personal injury.

**CAUTION:** The lift brake helps stabilize the worksurface and keyboard tray during normal use but it DOES NOT increase load capacity. DO NOT load riser with equipment totaling more than the maximum weight capacity specified by Ergotron. Ensure optimum lift function by testing and if necessary, re-adjusting tension whenever the weight mounted to the riser changes (i.e., equipment is removed or added). See "Set Riser Lift Tension" adjustment instructions.

**CAUTION:** Do not operate Cart with missing or damaged components! Do not remove, modify or substitute Cart components without consulting Ergotron. If you encounter problems with Cart installation or operation, contact Ergotron Customer Care.

**CAUTION:** DO NOT overtighten fasteners. Overtightening may cause damage to your equipment.

**WARNING:** Stored Energy Hazard: The worksurface lift mechanism is under tension and will move up rapidly, on its own, as soon as attached equipment is removed.

For this reason, DO NOT remove equipment unless the worksurface has been moved to the highest position on the tower! Failure to follow this instruction may result in serious personal injury and/or equipment damage! When Shipping the cart, set the worksurface lift mechanism to the lowest tension setting.

**CAUTION:** DO NOT loosen, tighten or remove any other nuts or bolts on the riser or top of tower. Tampering with nuts or bolts may result in an unstable Cart, leading to equipment damage and/or personal injury.

**CAUTION:** Release Lift Brake before moving work surface! Moving work surface while Lift Brake is engaged may cause serious damage to Lift Engine.

**WARNING:** In the event that repair of the Cart is needed, contact Ergotron Customer Care immediately. Cart repair can only be performed by Ergotron, Inc. or by an Ergotron authorized agent.

**WARNING:** This cart is not intended for use in a flammable, anesthetic mixture or oxygen rich environment.

**NOTE:** No user serviceable parts. Repairs and/or upgrades are to be performed only by an authorized service provider.



## Configuration & Safety

Additional multiple socket-outlet or extension cord shall not be connected to the medical system.

When used in a Medical Electrical system, connect only equipment that complies with IEC, ISO, UL/ANSI, or CSA standards that are relevant to that equipment.

Risk of shock or personal injury when connecting non-medical equipment supplied as part of a system directly to the wall outlet when non-medical equipment is intended to be supplied by the multiple socket outlet.

Risk of shock or personal injury when connecting any equipment that has not been supplied as part of the medical system to the multiple socket outlet.

**WARNING:** Use of this equipment adjacent to or stacked with other equipment should be avoided because it could result in improper operation. If such use is necessary, this equipment and the other equipment should be observed to verify that they are operating normally.

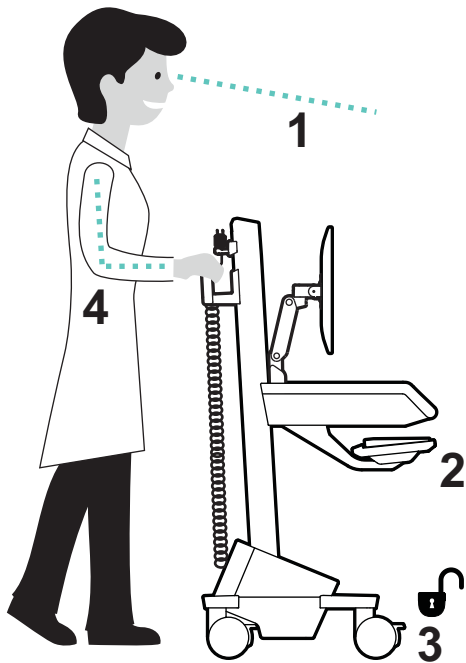
**WARNING:** Use of accessories, transducers and cables other than those specified or provided by the manufacturer of this equipment could result in increased electromagnetic emissions or decreased electromagnetic immunity of this equipment and result in improper operation.

**WARNING:** Portable RF communications equipment (including peripherals such as antenna cables and external antennas) should be used no closer than 30 cm (12 inches) to any part of the Medical Electrical system, including cables specified by the manufacturer. Otherwise, degradation of the performance of this equipment could result.

## Safety



CAUTION: Failure to follow these instructions may cause the cart to be unstable.



Moving  
Stow - before you go

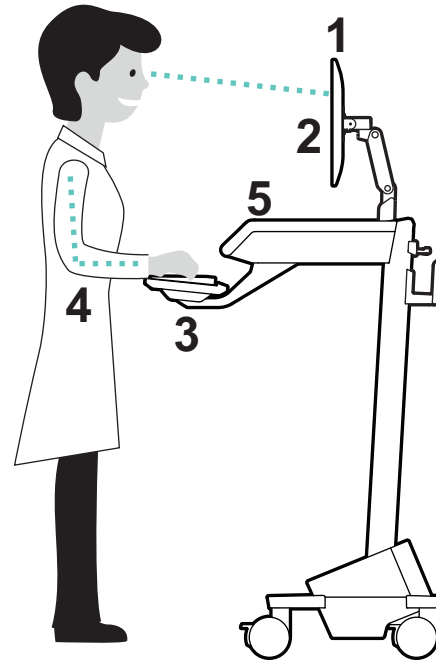
1 During normal movement, release brake and lower worksurface to lowest position for optimal stability and unobstructed view.

2 Tuck away open trays and return mouse, scanner and other accessories to their places.

3 Unlock both front casters.

4 Push cart from rear with elbows bent at about 90° to maximize control and minimize muscle strain.

## Ergonomics



Working  
Customize - to your size

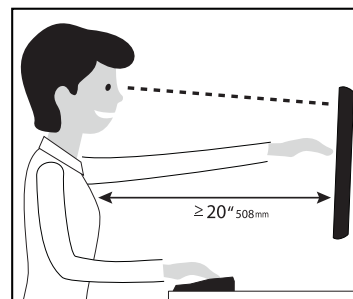
1 Set top of monitor screen about one inch below eye level - Release brake and lift or lower riser as needed.

2 Tilt screen for comfortable viewing and to reduce eye and neck strain.

3 Pull keyboard tray forward and position mouse tray on right or left, as needed.

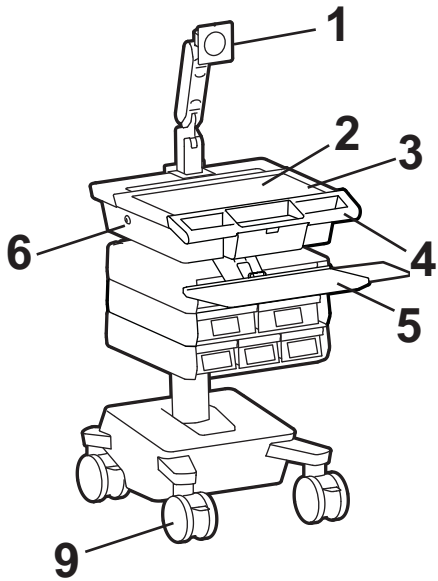
4 Work with elbows bent at about 90° to minimize muscle strain.

5 If the riser moves up and down with difficulty, or if it drifts out of set position, consult the product manual for adjustment information.

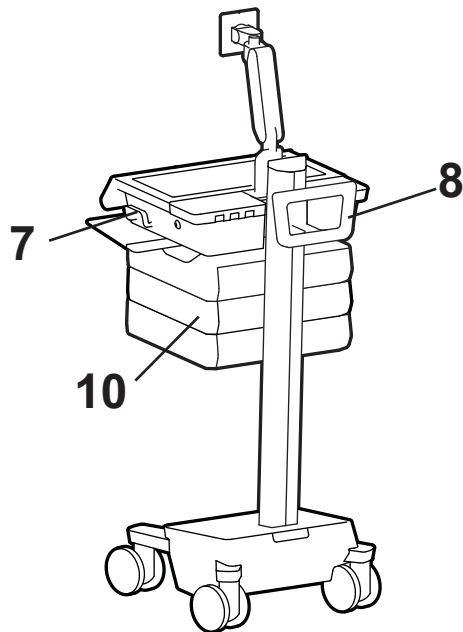


Learn more about ergonomic computer use at:  
[www.ergotron.com/ergonomics](http://www.ergotron.com/ergonomics)

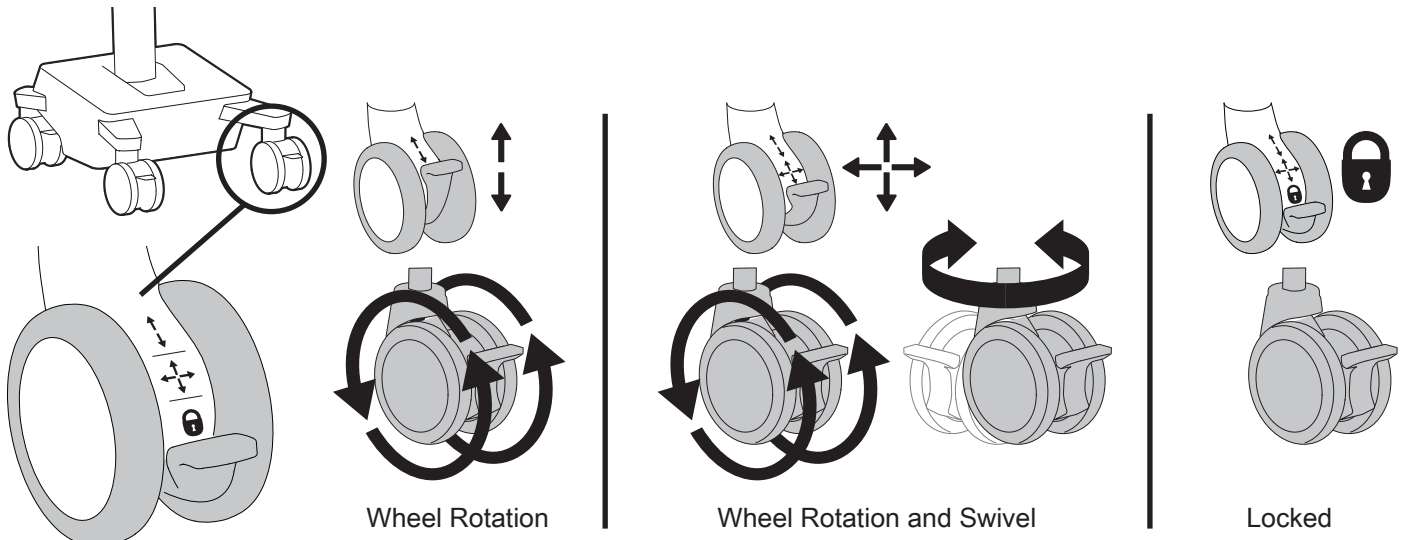
# Getting to Know Your Cart



1. LCD Mount for LCDs or Tablet PC's with 75x75 or 100x100 mm Mounting Interface Provides Lift, Tilt, Pan, and P/L Rotation, with option to: lock P/L Rotation
2. Worksurface with removable document cover
3. Badge Scanning location for customer supplied RFID
4. Front Handle
5. Keyboard Tray, mouse pouch, and Wrist Rest. Slides Out, Pans, and Allows for Right or Left Mousing
6. Secure Storage for CPU, Cable Management, Excess Cables, 3 Port USB Hub, and Removable Top/Worksurface
7. Height Adjustment Brake Release
8. Rear Handle
9. Four Locking Casters with one 3 Function Caster - Locks Swivel or Rotation and Swivel
10. Optional Manual Locking Drawers

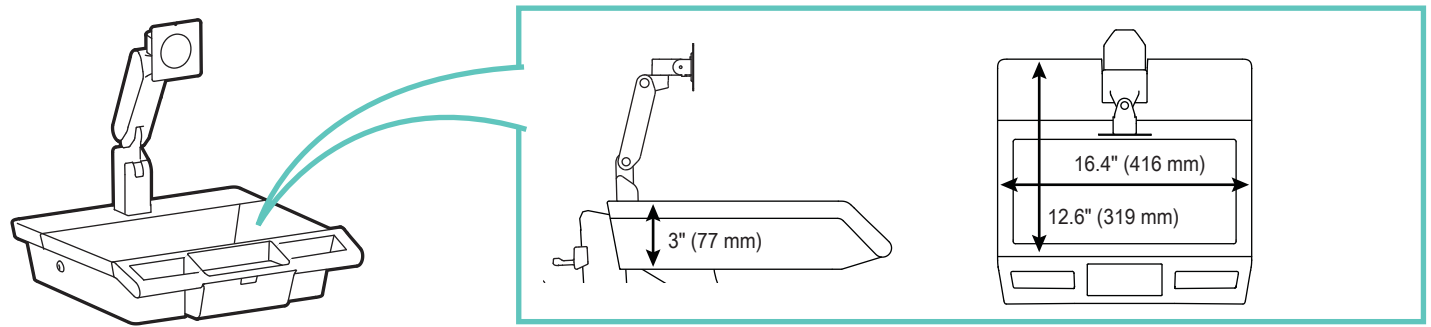
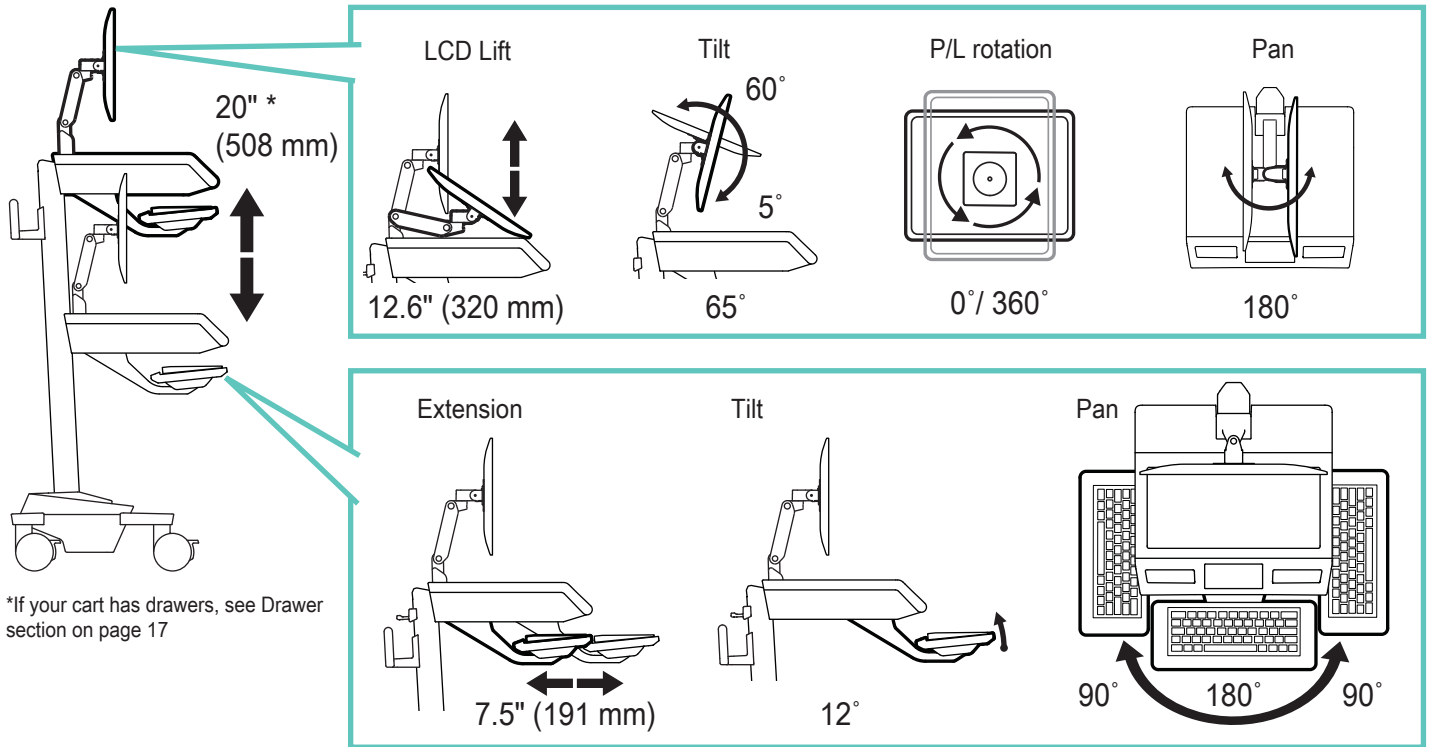


## 9 3 Function Caster

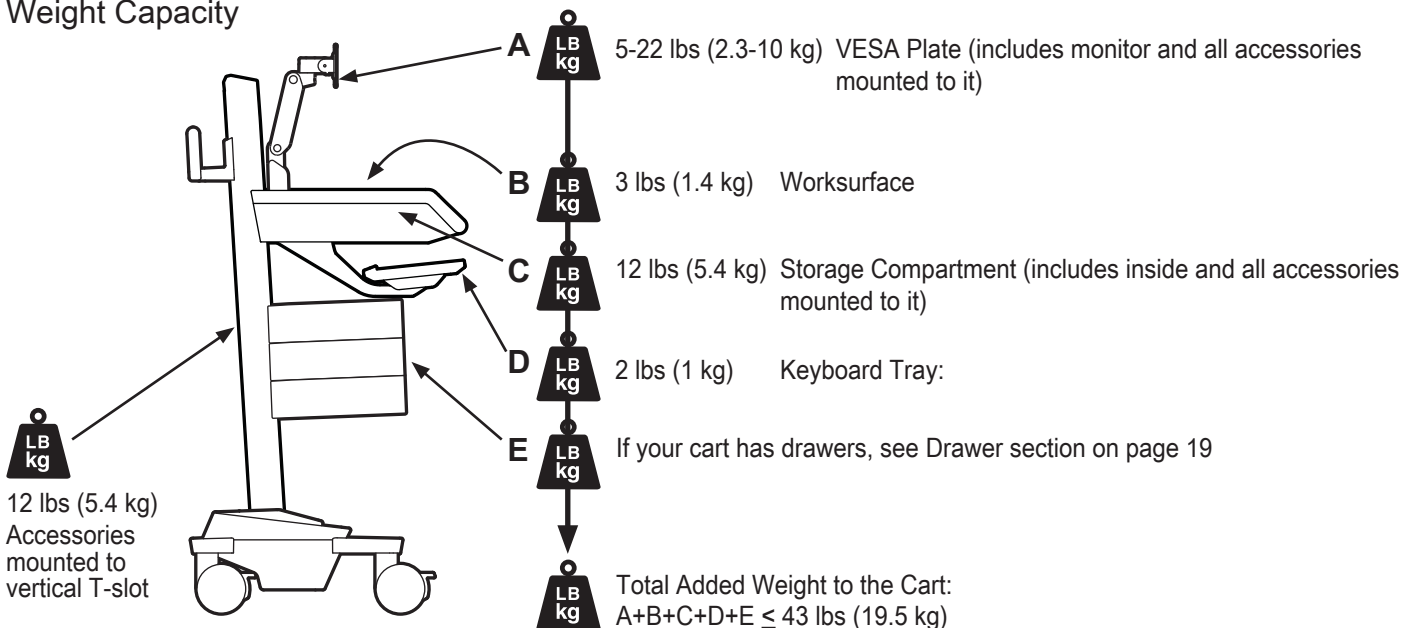


# Specifications

## Range of Motion



## Weight Capacity



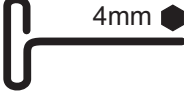
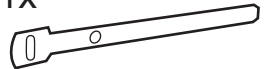
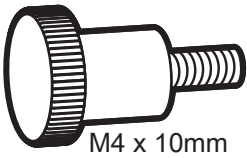


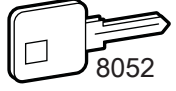


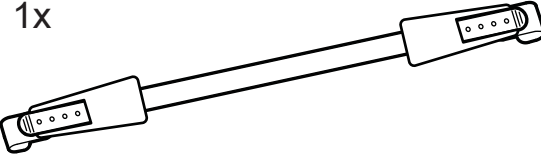
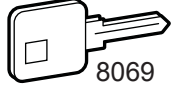


**CAUTION: DO NOT EXCEED MAXIMUM LISTED WEIGHT CAPACITY. SERIOUS INJURY OR PROPERTY DAMAGE MAY OCCUR!**

# Set-up

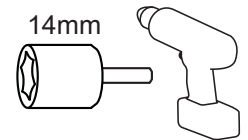
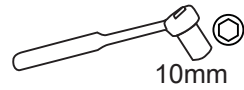
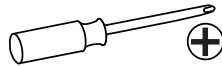


## Components

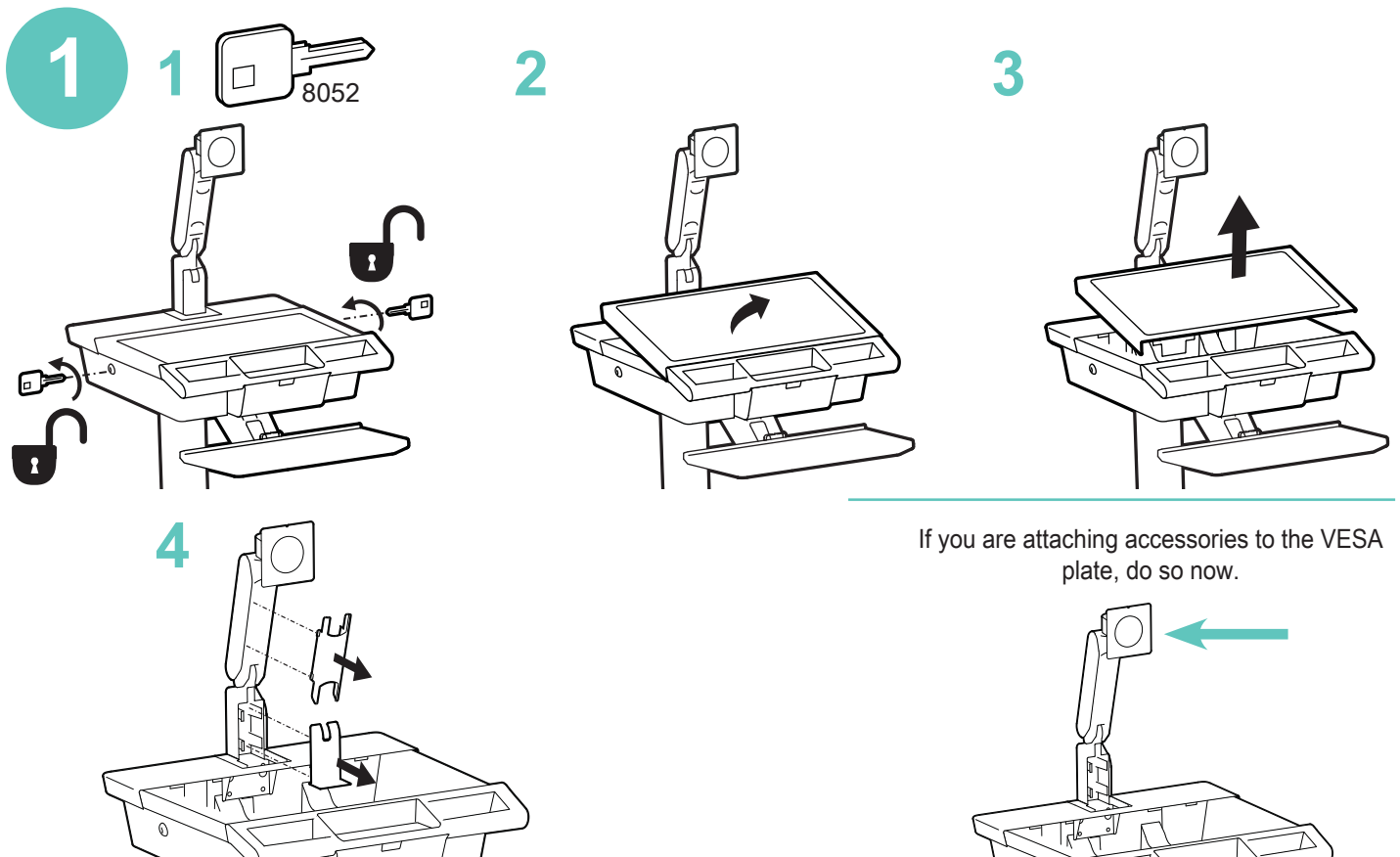
	A	B	C	D
1	1x 	3x 	1x 4mm 	1x 
2	4x  M4 x 10mm	4x  M4 x 10mm	4x 	2x  8052
3	4x  6x 	1x 		2x for each drawer row  8069



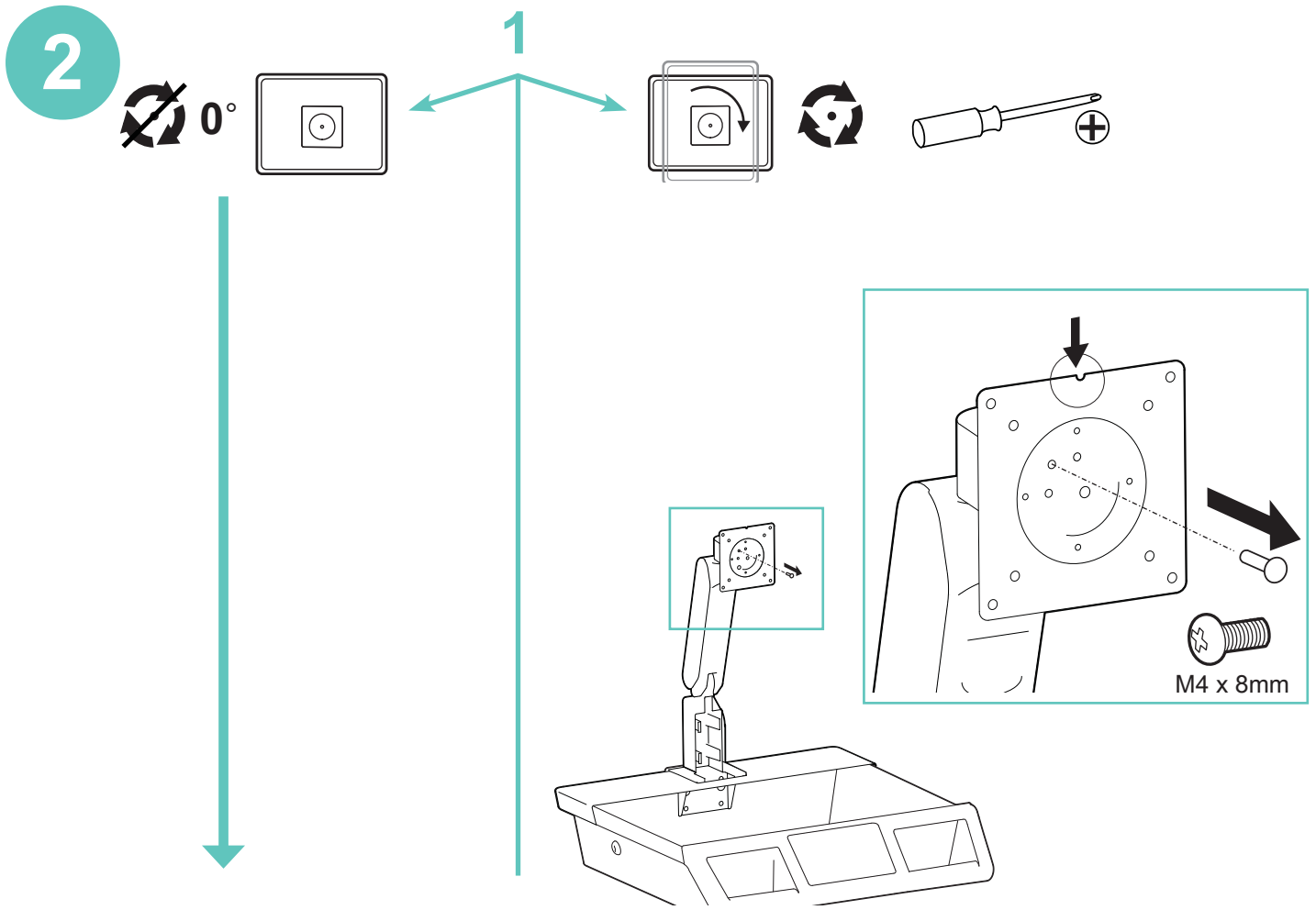
## Tools Needed



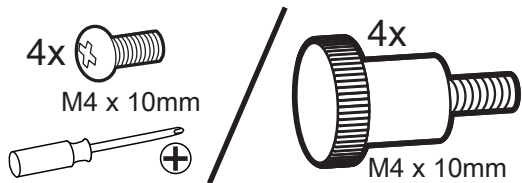
# Set-up



# Set-up



## 2 75x75mm / 100x100mm



**WARNING**  
**AVERTISSEMENT**

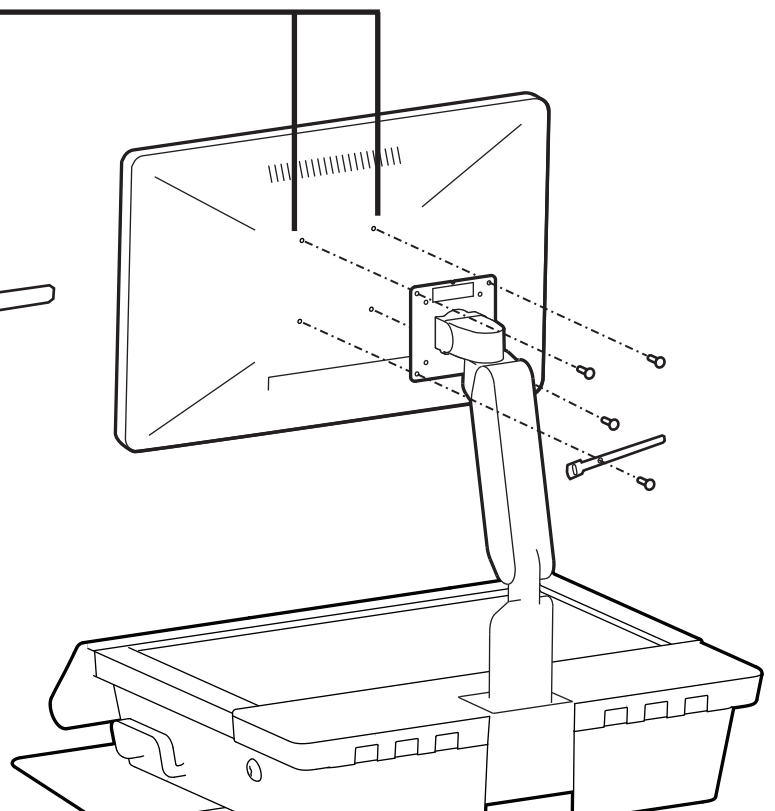
**IMPACT HAZARD!**  
MOVING PARTS CAN CRUSH AND CUT.  
Failure to heed this warning may result in serious personal injury or property damage!

Raise monitor to top of vertical adjustment BEFORE removing. DO NOT remove Stop Screw without monitor attached. Doing so will cause monitor pivot to shoot up rapidly and may cause personal injury.

**DANGER D'IMPACT !**  
LES PARTIES EN MOUVEMENT PEUVENT ÉCRASER ET COUPER.  
Il existe un risque de blessure corporelle ou d'endommagement matériel en cas de non respect de cet avertissement.  
Élevez l'écran au plus haut de l'ajustement vertical AVANT de le retirer. NE retirez PAS la vis d'arrêt avant que l'écran soit fixé.  
Dans un tel cas, le pivot d'écran se relèverait rapidement et cela pourrait engendrer des blessures.

[www.ergotron.com](http://www.ergotron.com)

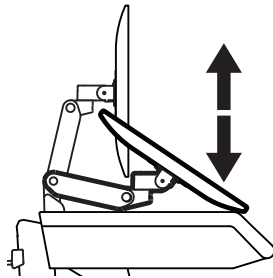
822-055



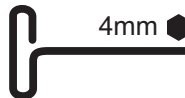
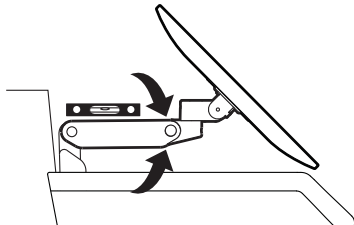
3

Important! You will need to adjust this product after installation is complete. Make sure all your equipment is properly installed on the product before attempting adjustments. This product should move smoothly and easily through the full range of motion and stay where you set it. If movements are too easy or difficult or if product does not stay in desired positions, follow the adjustment instructions to create smooth and easy movements. Depending on your product and the adjustment, it may take many turns to notice a difference. Any time equipment is added or removed from this product, resulting in a change in the weight of the mounted load, you should repeat these adjustment steps to ensure safe and optimum operation.

Lift – Up and down

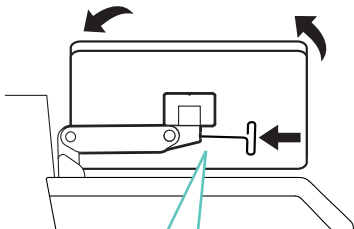


1



Follow these instructions to tighten or loosen tension.

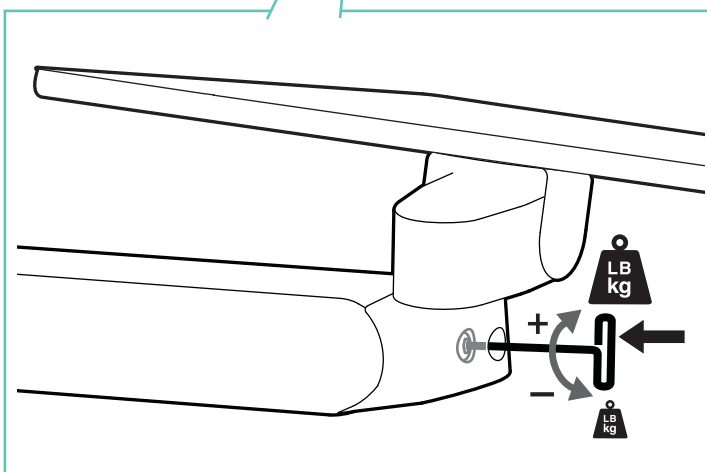
2



**Increase Lift Strength**  
If the mounted weight is too heavy or this product does not stay up when raised, then you'll need to increase Lift Strength.



**Decrease Lift Strength**  
If the mounted weight is too light or this product does not stay down when lowered, then you'll need to decrease Lift Strength.



CAUTION: DO NOT overtighten fasteners. Overtightening may cause damage to your equipment.

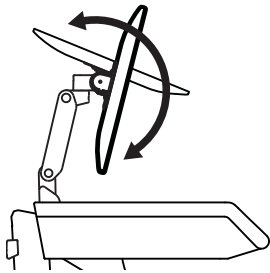
**WARNING**  
**Impact Hazard!**  
Moving Parts can Crush and Cut.  
Raise monitor to top of vertical adjustment BEFORE removing.  
Failure to heed this warning may result in serious personal injury or property damage!  
826-504

**AVERTISSEMENT**  
**Danger d'impact !**  
Les parties en mouvement peuvent écraser et couper. Élevez l'écran au plus haut de l'ajustement vertical AVANT de le retirer.  
Il existe un risque de blessure corporelle ou d'endommagement matériel en cas de non respect de cet avertissement.  
827-404

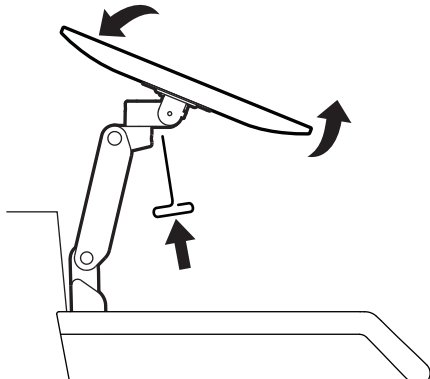
4

Important! You will need to adjust this product after installation is complete. Make sure all your equipment is properly installed on the product before attempting adjustments. This product should move smoothly and easily through the full range of motion and stay where you set it. If movements are too easy or difficult or if product does not stay in desired positions, follow the adjustment instructions to create smooth and easy movements. Depending on your product and the adjustment, it may take many turns to notice a difference. Any time equipment is added or removed from this product, resulting in a change in the weight of the mounted load, you should repeat these adjustment steps to ensure safe and optimum operation.

Tilt – Forward and Backward



1



Follow these instructions to tighten or loosen tension.

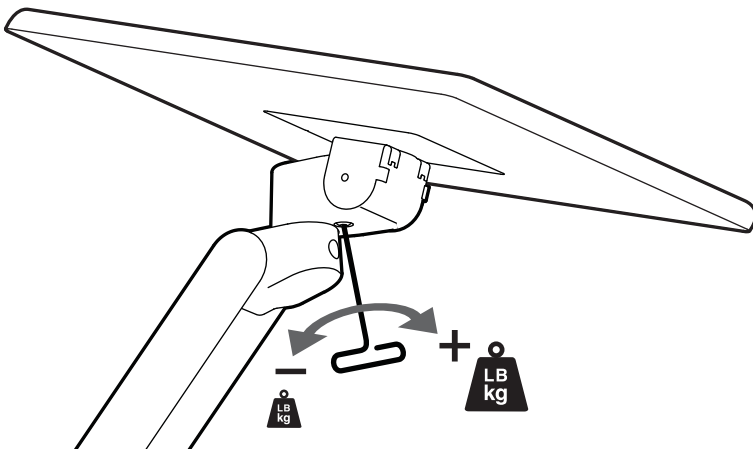


**Increase Lift Strength**  
If the mounted weight is too heavy or this product does not stay up when raised, then you'll need to increase Lift Strength.



**Decrease Lift Strength**  
If the mounted weight is too light or this product does not stay down when lowered, then you'll need to decrease Lift Strength.

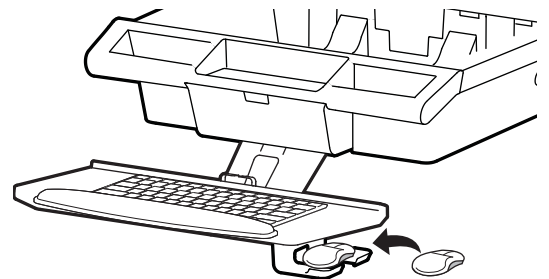
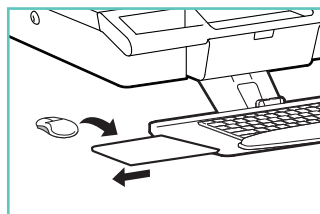
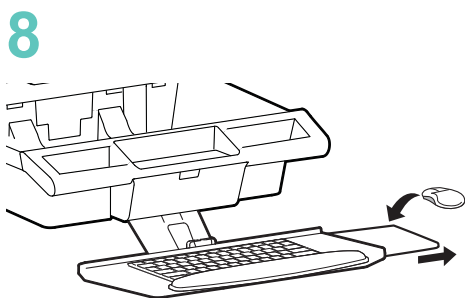
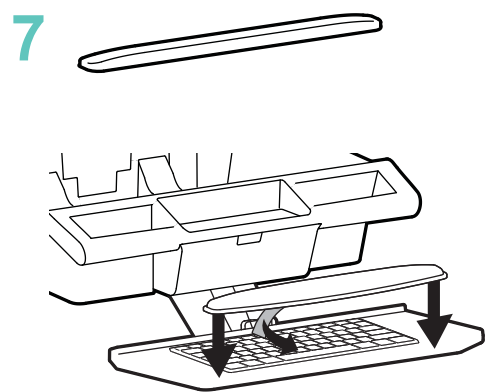
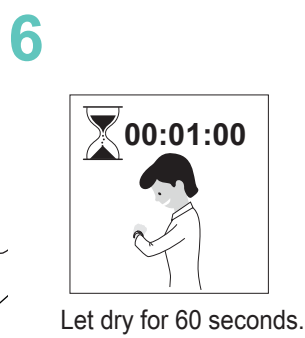
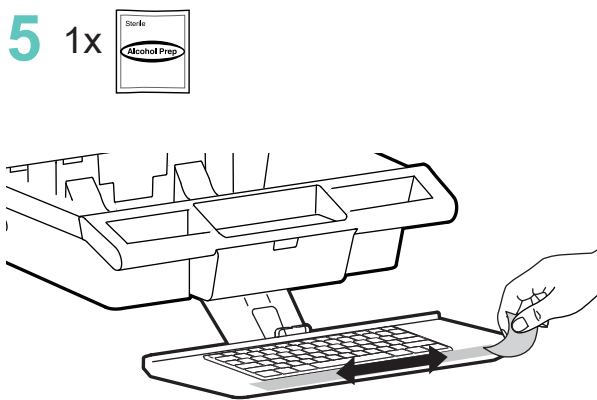
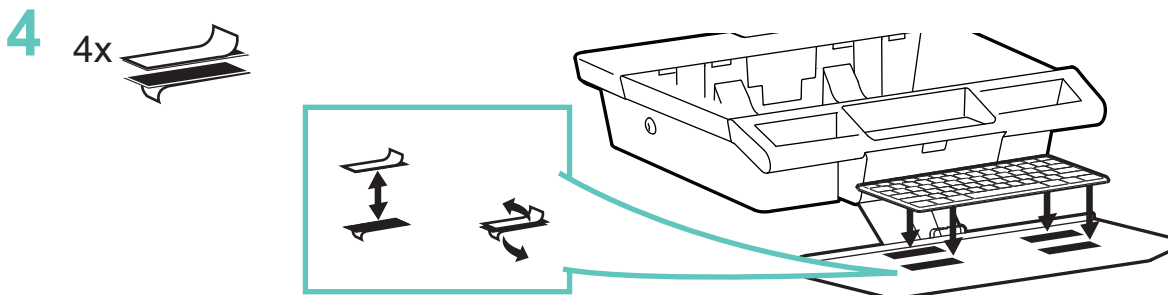
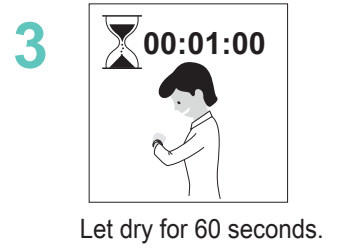
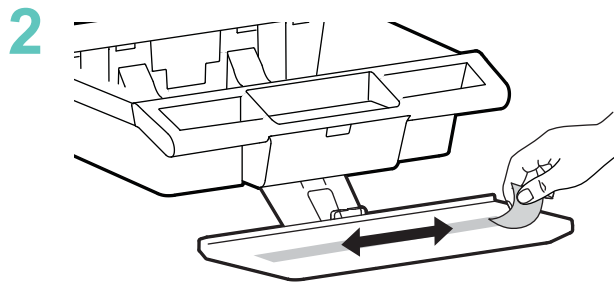
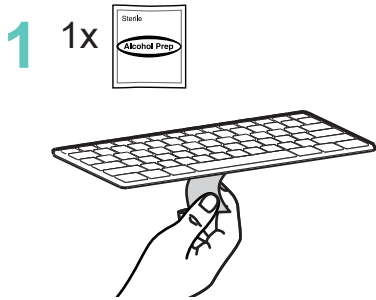
2



CAUTION: DO NOT remove screw. Removing screw may cause damage to equipment.

# Set-up

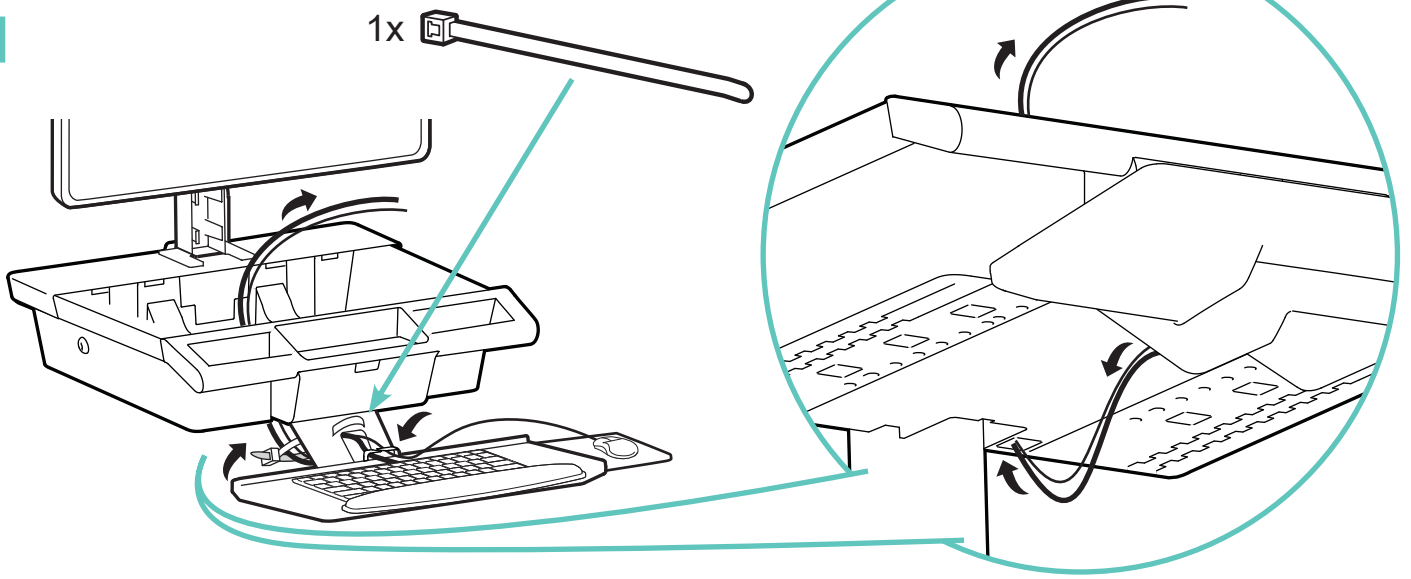
## 5



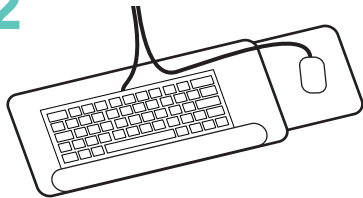
# Set-up

6

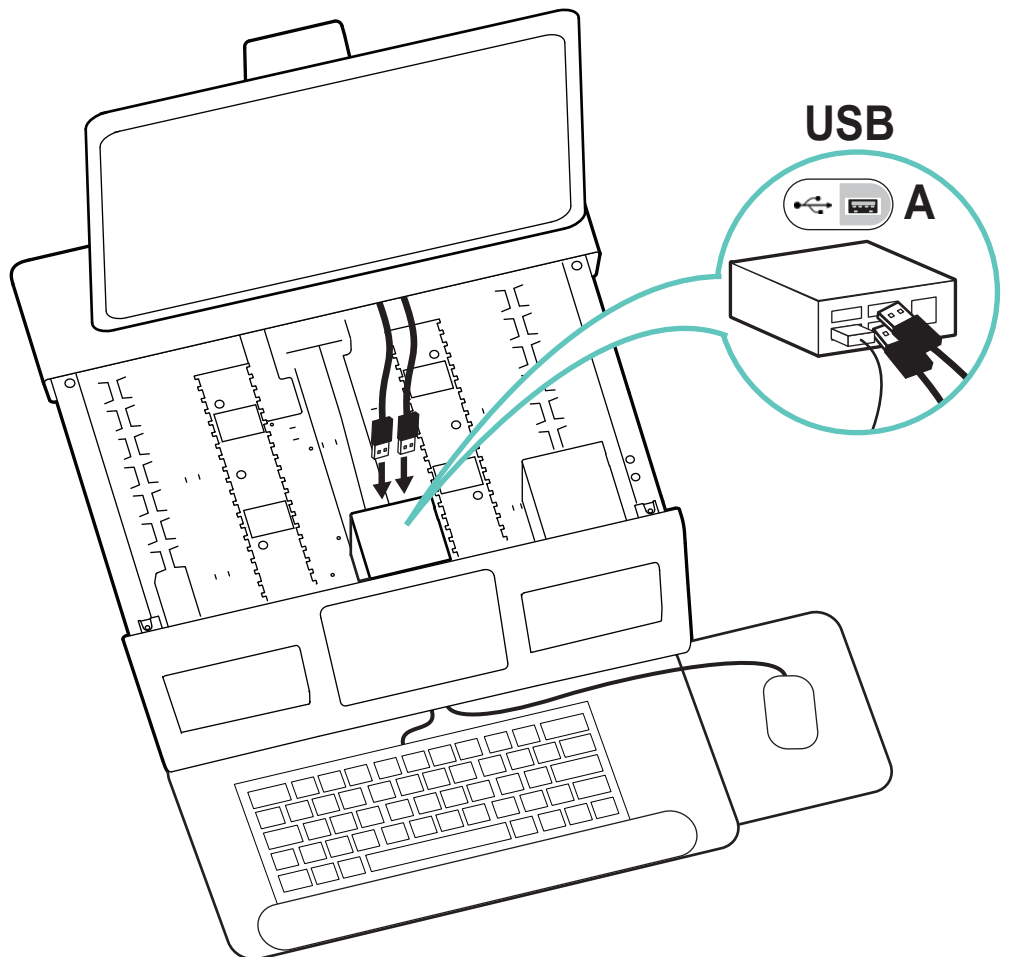
1



2



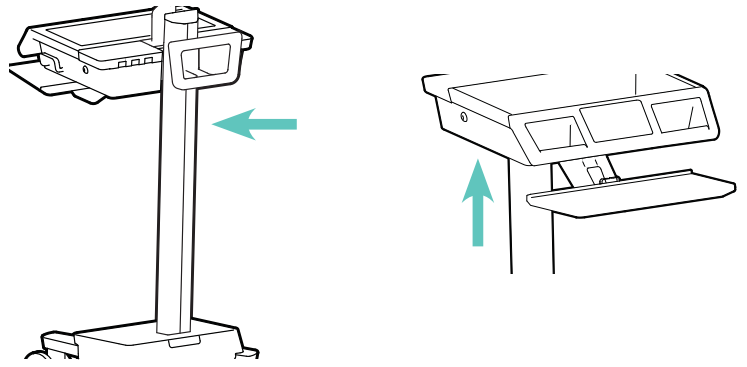
Plug in keyboard and mouse USB cables



## Set-up

7

If you are attaching accessories to the back of the cart or under the worksurface, do so now.

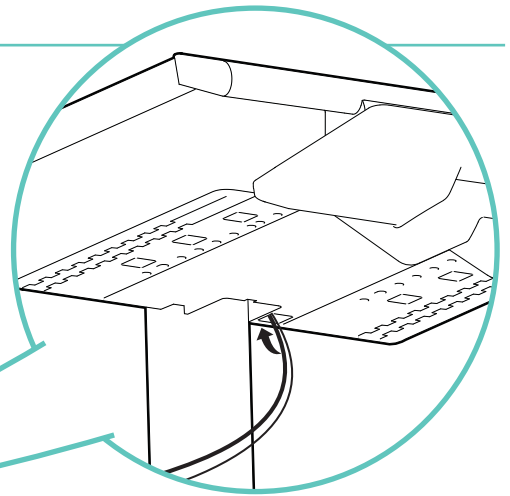
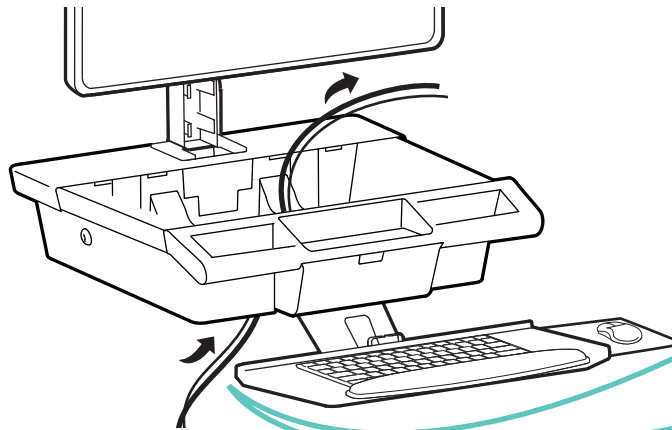
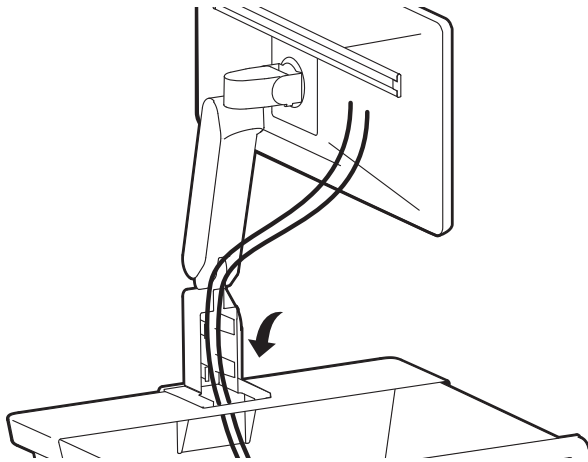


8

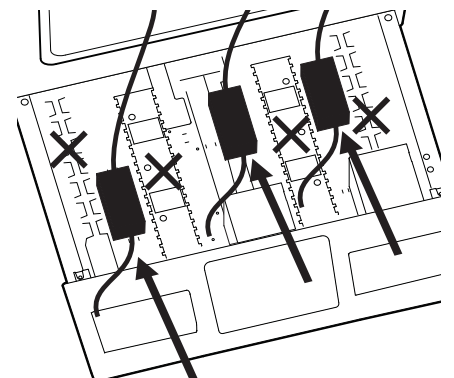
Route accessory cables

NOTE: Leave enough slack in cable to allow full range of motion.

Caution: To avoid the potential to pinch cables it is important to follow the cable routing instructions in this manual. Failure to follow these instructions may result in equipment damage or personal injury.



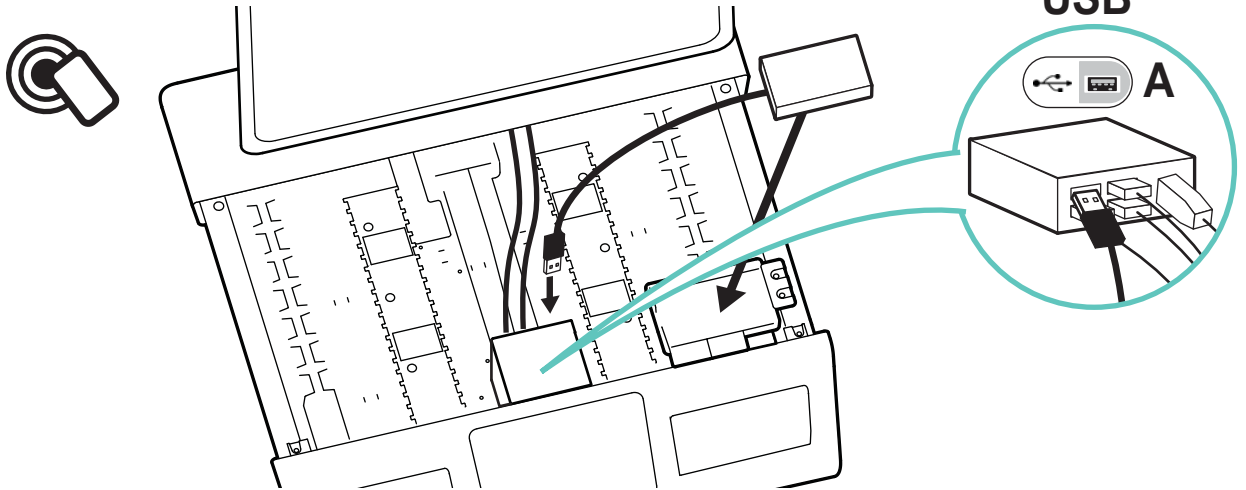
Place power bricks into lower sections of compartment



# Set-up

9

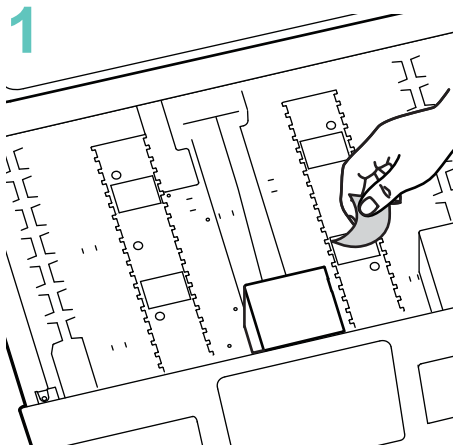
Attach OPTIONAL customer supplied RFID card reader



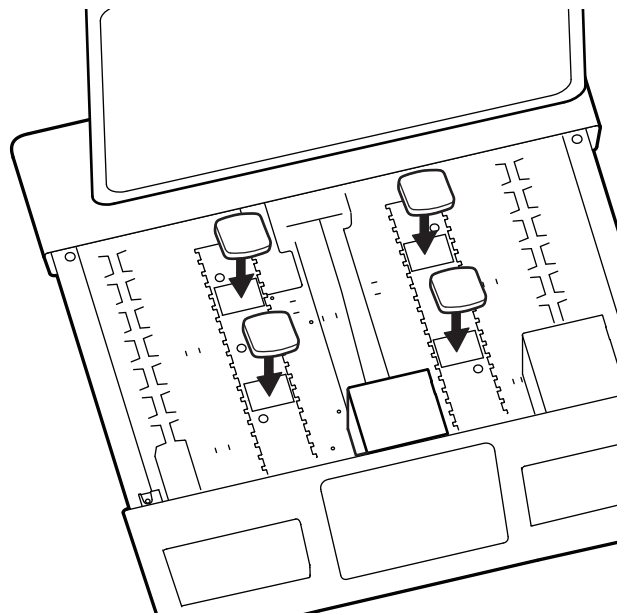
10



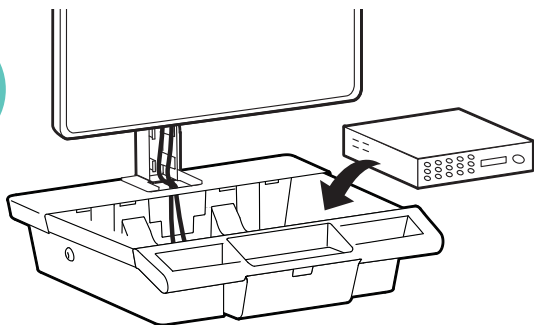
4x



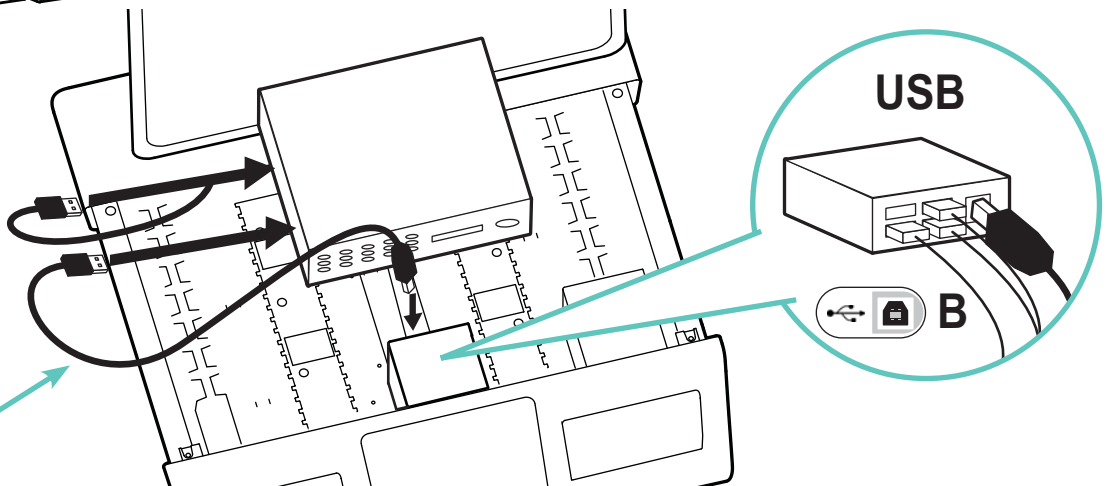
Let dry for 60 seconds.



11



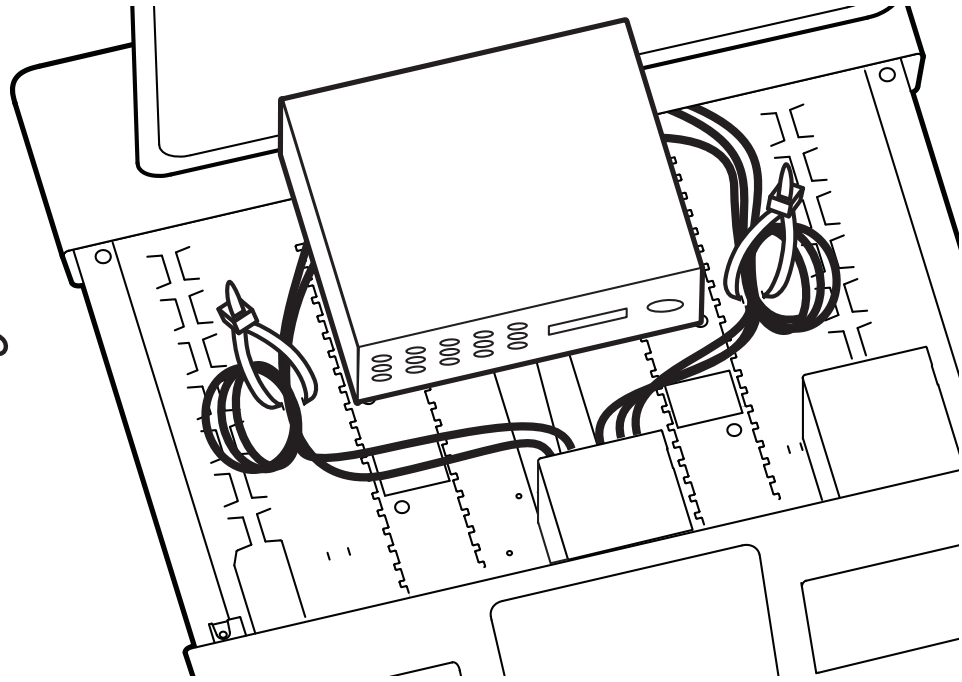
Route monitor, computer, and accessory USB cables.  
NOTE: USB hub is not powered and will not supply power to powered accessories.



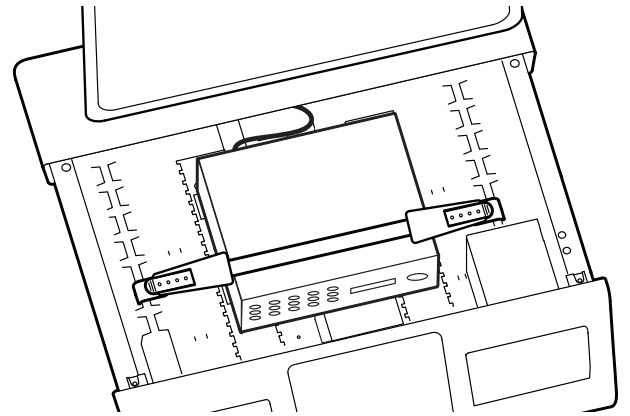
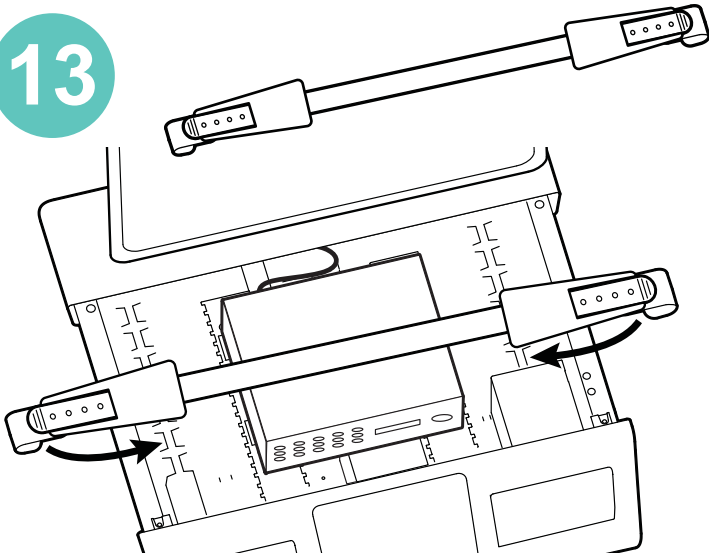
USB A

Set-up

12

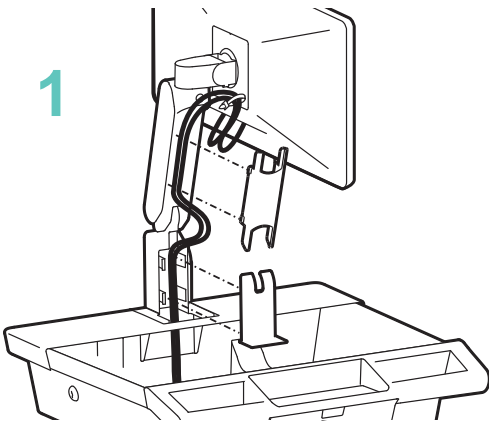


13

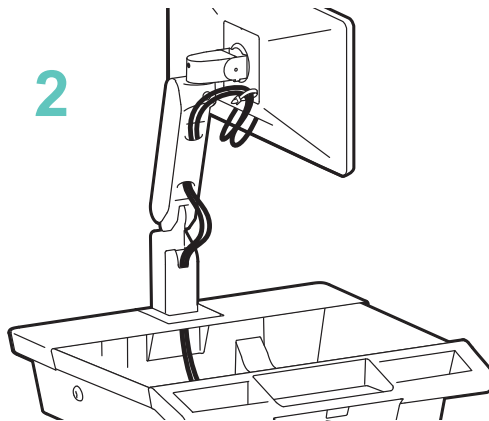


14

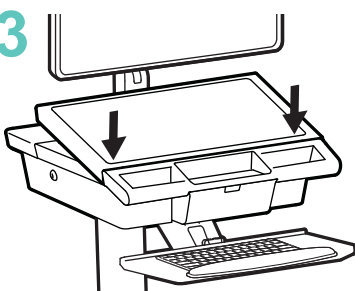
1



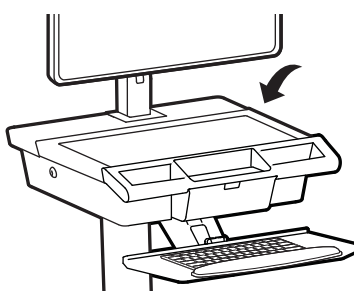
2



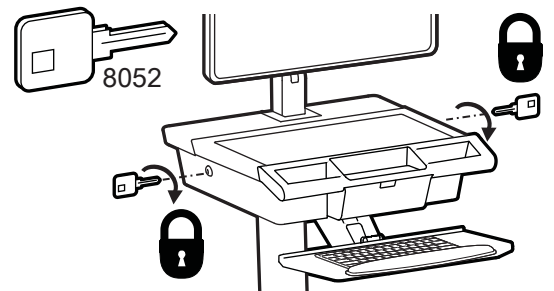
3



4




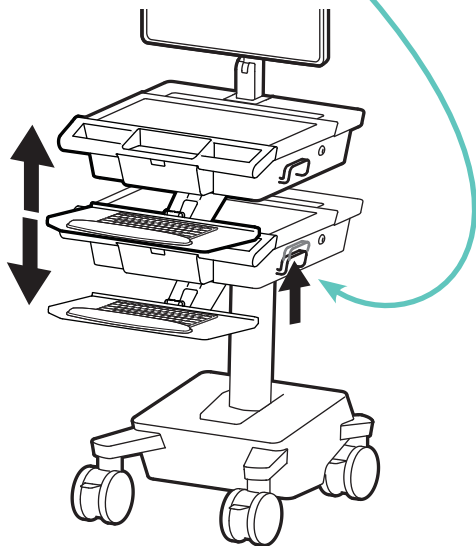
5



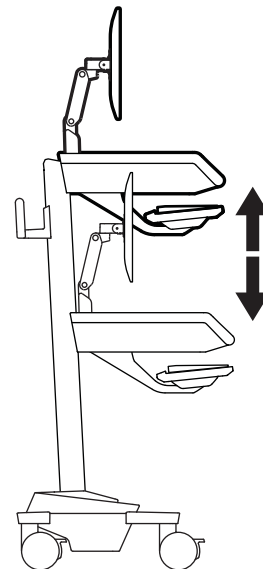
15

Important! You will need to adjust this product after installation is complete. Make sure all your equipment is properly installed on the product before attempting adjustments. This product should move smoothly and easily through the full range of motion and stay where you set it. If movements are too easy or difficult or if product does not stay in desired positions, follow the adjustment instructions to create smooth and easy movements. Depending on your product and the adjustment, it may take many turns to notice a difference. Any time equipment is added or removed from this product, resulting in a change in the weight of the mounted load, you should repeat these adjustment steps to ensure safe and optimum operation.

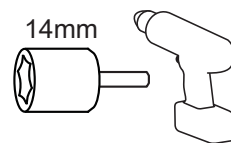
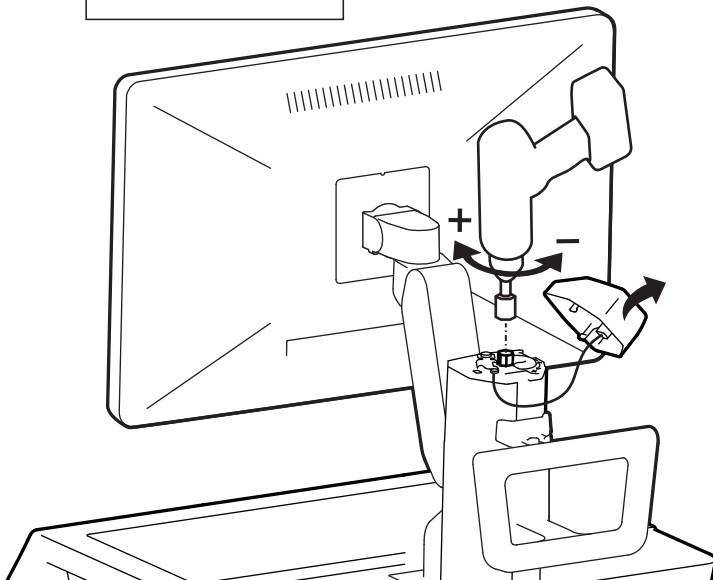
1  Release Brake to move riser.





Lift – Up and down

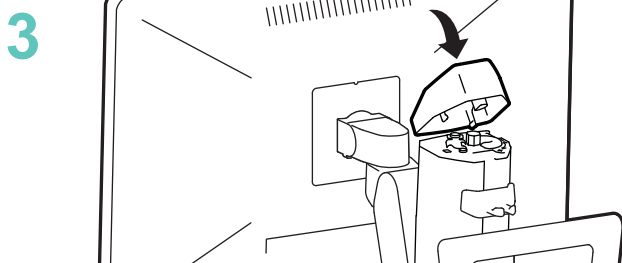


2  **CUSTOMER:**  
ADJUST  
LIFT TENSION  
AFTER SET UP  
SEE MANUAL 822-421-00

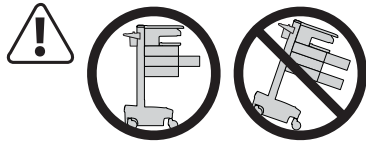
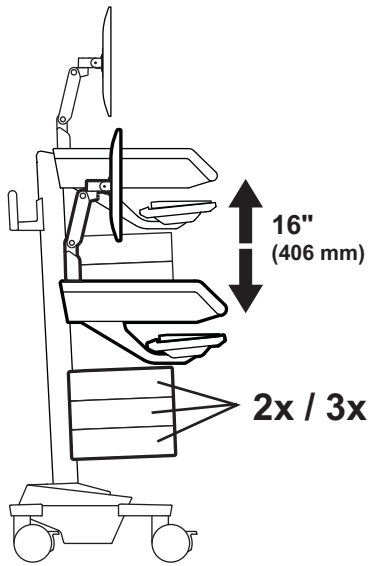


**+**  **Increase Lift Strength**  
If the mounted weight is too heavy or this product does not stay up when raised, then you'll need to increase Lift Strength

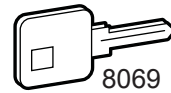
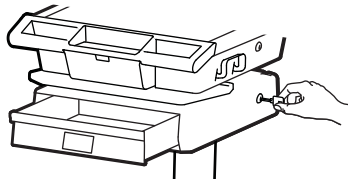
**-**  **Decrease Lift Strength**  
If the mounted weight is too light or this product does not stay down when lowered, then you'll need to decrease Lift Strength



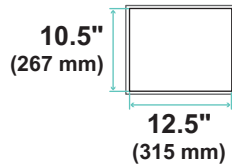
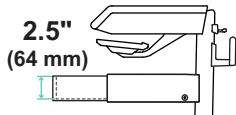
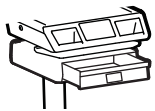
# Drawers



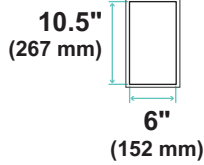
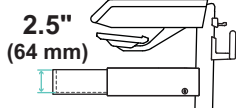
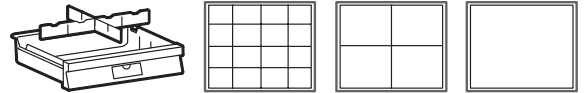
**CAUTION:** Open only one drawer at a time. Do Not push cart when drawers are open. Failure to follow these instructions may cause the cart to be unstable.



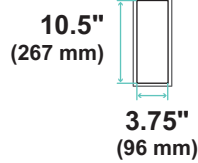
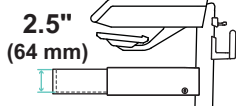
Use key to manually unlock drawer



**Total weight capacity per drawer.**  
 $\leq 2$  lbs (1 kg)



**Total weight capacity per drawer.**  
 $\leq 1$  lbs (0.5 kg)



**Total weight capacity per drawer.**  
 $\leq 0.25$  lbs (0.1 kg)





### Cleaning and Maintenance

The following procedures are not guaranteed to control infection. The hospital infection control administrator or epidemiologist should be consulted regarding cleaning procedures and processes.

To avoid risk of electric shock, do not expose electrical components to water, cleaning solutions or other potentially corrosive liquids or substances.

Before cleaning, disconnect the Cart from its power source.

Do not immerse Cart or Cart components in liquid or allow liquids to flow into the Cart. Wipe all cleaners off surface immediately using a damp cloth. Thoroughly dry surface after cleaning.

Do not use flammable cleaners on Cart surfaces due to close proximity of electrical power and equipment.

You can use most hospital-grade, diluted, non-abrasive, non-corrosive cleaning solutions on all plastic and metal surfaces, whether painted, polished or unfinished.

- Pen and permanent and dry erase markers can be removed with 91% isopropyl alcohol and a soft cloth.
- Iodine stains can be removed with commonly used cleaners and a soft cloth.
- Never use steel wool or other abrasive materials that will damage the surface finish.
- Do not use strong solvents such as trichloroethylene and acetone. These solvents will damage the surface finish.

It is recommended that any cleaning solution be tested on a small, inconspicuous area to ensure surface is not harmed.

Adjustment, Service, Replacement - DO NOT attempt to adjust, service or replace any part of the Cart unless directed to do so through Ergotron-approved documentation (i.e. installation instructions). Only Ergotron, Inc. or an Ergotron-certified entity may adjust, service or replace Cart components. If any component on the Cart is missing or damaged, the Cart must not be used, contact Ergotron Customer Care immediately to request a replacement part.

Cables - Keep cables neatly organized on the Cart (a variety of solutions are provided with your cart for this purpose). Excess cables should be routed away from moving components with cable clips. Review Cable Routing section of this guide, or contact Ergotron Customer Care for more information.

Casters - Check casters periodically to make sure they are clean and free of debris that would prevent smooth travel. Avoid moving Cart across uneven, dirty or damaged surfaces.

Customer Equipment- Make sure equipment is balanced and mounted securely to Cart. Do not reposition Cart components on riser or tower unless instructed to do so in the installation instructions. Moving Cart components too high or too low on the Riser may create an unstable condition, leading to equipment damage or even personal injury. Contact Ergotron Customer Care for information about moving Cart components.



### Equipment & Accessories Disposal

1. Please dispose of all batteries in accordance with local law.
2. All Electronics should be recycled through an electronics recycler.
3. Remaining plastics and metals can be recycled through a commercial recycler.

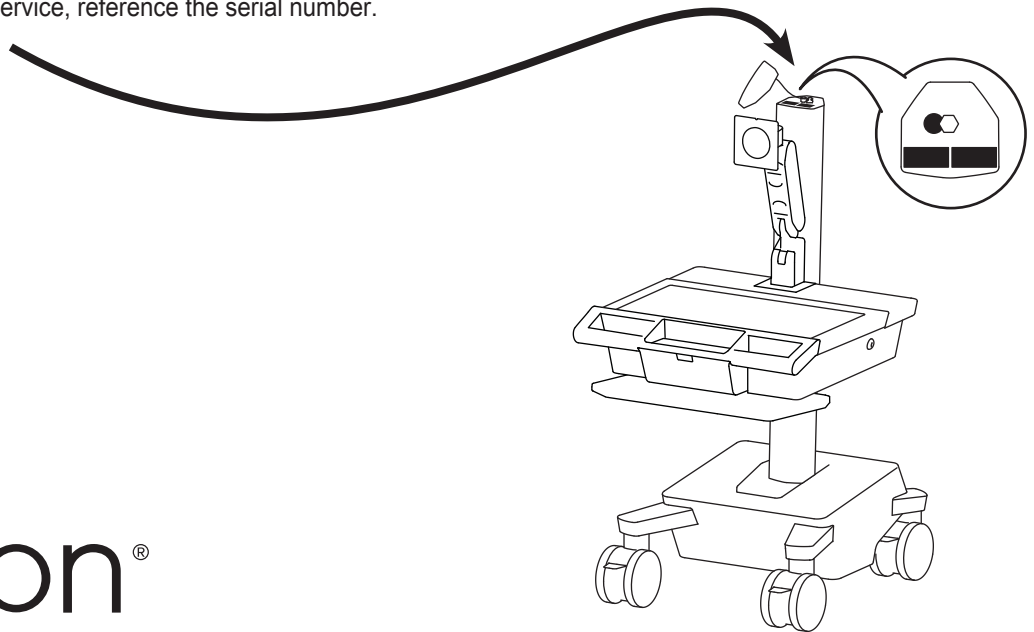
For the latest User Installation Guide please visit: [www.ergotron.com](http://www.ergotron.com)

For Warranty visit: [www.ergotron.com/warranty](http://www.ergotron.com/warranty)

For Service visit: [www.ergotron.com](http://www.ergotron.com)

For local customer care phone numbers visit: <http://contact.ergotron.com>

NOTE: When contacting customer service, reference the serial number.



[www.ergotron.com](http://www.ergotron.com) | USA: 1-800-888-8458 | Europe: +31 (0)33-45 45 600 | China: 400-120-3051 | Japan: [japansupport@ergotron.com](mailto:japansupport@ergotron.com)

© 2025 Ergotron, Inc. All rights reserved. Mosaic™ is a trademark of Ergotron, Inc.

While Ergotron, Inc. makes every effort to provide accurate and complete information on the installation and use of its products, it will not be held liable for any editorial errors or omissions (including those made in the process of translation from English to another language), or for incidental, special or consequential damages of any nature resulting from furnishing this instruction and performance of equipment in connection with this instruction. Ergotron, Inc. reserves the right to make changes in the product design and/or product documentation without notification to its users. For the most current product information, or to know if this document is available in languages other than those herein, please contact Ergotron. No part of this publication may be reproduced, stored in a retrieval system, or transmitted in any form or by any means, electronic, mechanical, photocopying, recording or otherwise without the prior written consent of Ergotron, Inc., 1181 Trapp Road, Eagan, Minnesota, 55121, USA Patents Pending and Patented U.S. & Foreign. Ergotron is a registered trademark of Ergotron, Inc.