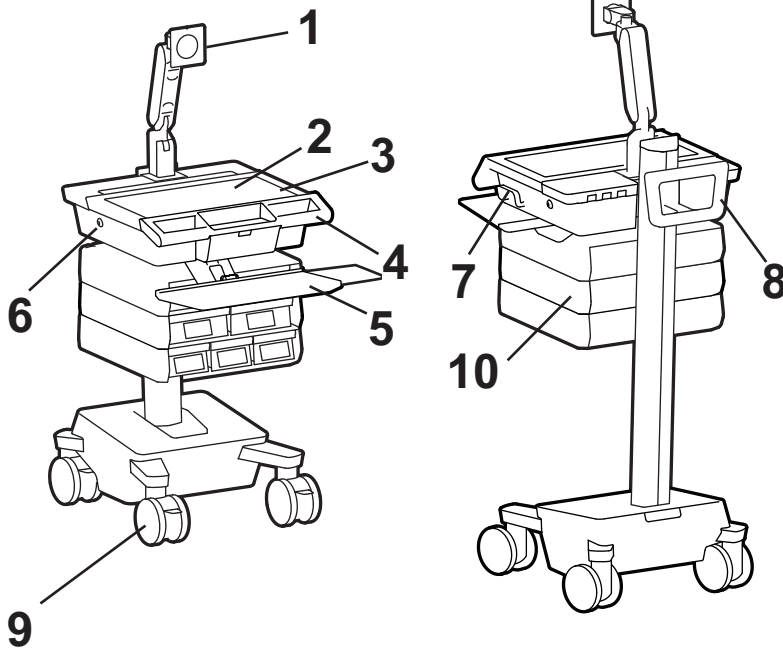


mosaic™

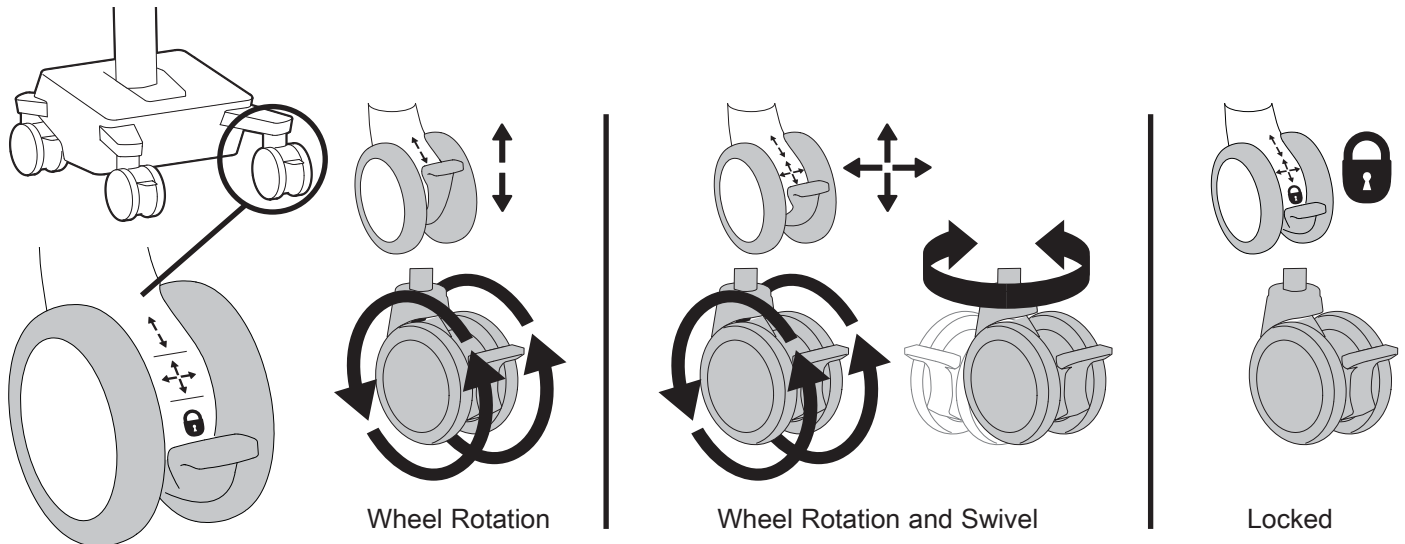
Flex Arm, Non-Powered

FEATURES



1. LCD Mount for LCDs or Tablet PC's with 75x75 or 100x100 mm Mounting Interface Provides Lift, Tilt, Pan, and P/L Rotation, with option to: lock P/L Rotation
2. Worksurface with removable document cover
3. Badge Scanning location for customer supplied RFID
4. Front Handle
5. Keyboard Tray, mouse pouch, and Wrist Rest. Slides Out, Pans, and Allows for Right or Left Mousing
6. Secure Storage for CPU, Cable Management, Excess Cables, 3 Port USB Hub, and Removable Top/Worksurface
7. Height Adjustment Brake Release
8. Rear Handle
9. Four Locking Casters with one 3 Function Caster - Locks Swivel or Rotation and Swivel
10. Optional Manual Locking Drawers

3 Function Caster



Wheel Rotation

Wheel Rotation and Swivel

Locked

Download additional resources at ergotron.com

USA & Canada Sales & Corporate Headquarters: St. Paul, MN USA / 800.888.8458 / +1.651.681.7600 / insidesales@ergotron.com

EMEA Sales: Amersfoort, The Netherlands / +31.33.45.45.600 / info.eu@ergotron.com

APAC Sales: Sydney, Australia / apaccustomerservice@ergotron.com

LATAM Sales: info.latam@ergotron.com

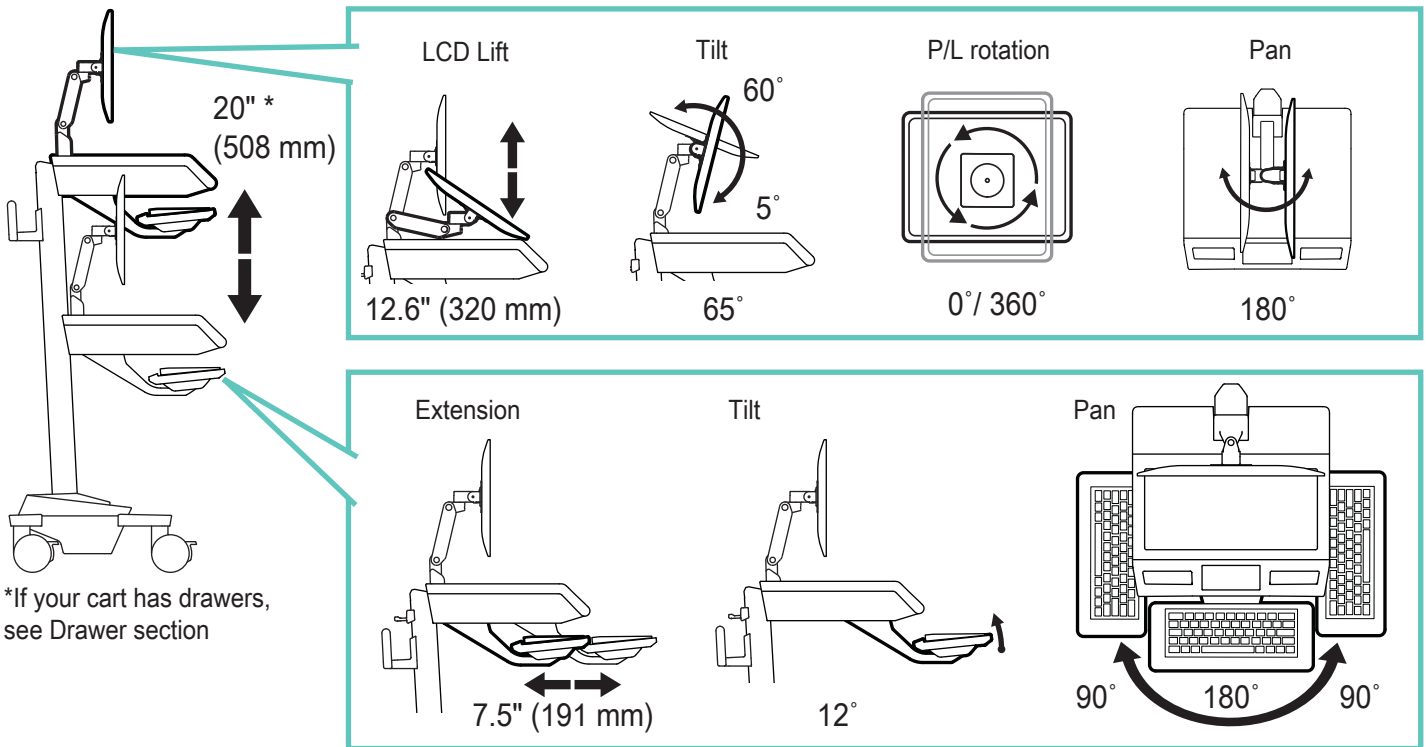
Worldwide Custom Sales: custom@ergotron.com

Ergotron devices are not intended to cure, treat, mitigate or prevent any disease. Patent information available at www.ergotron.com/patents

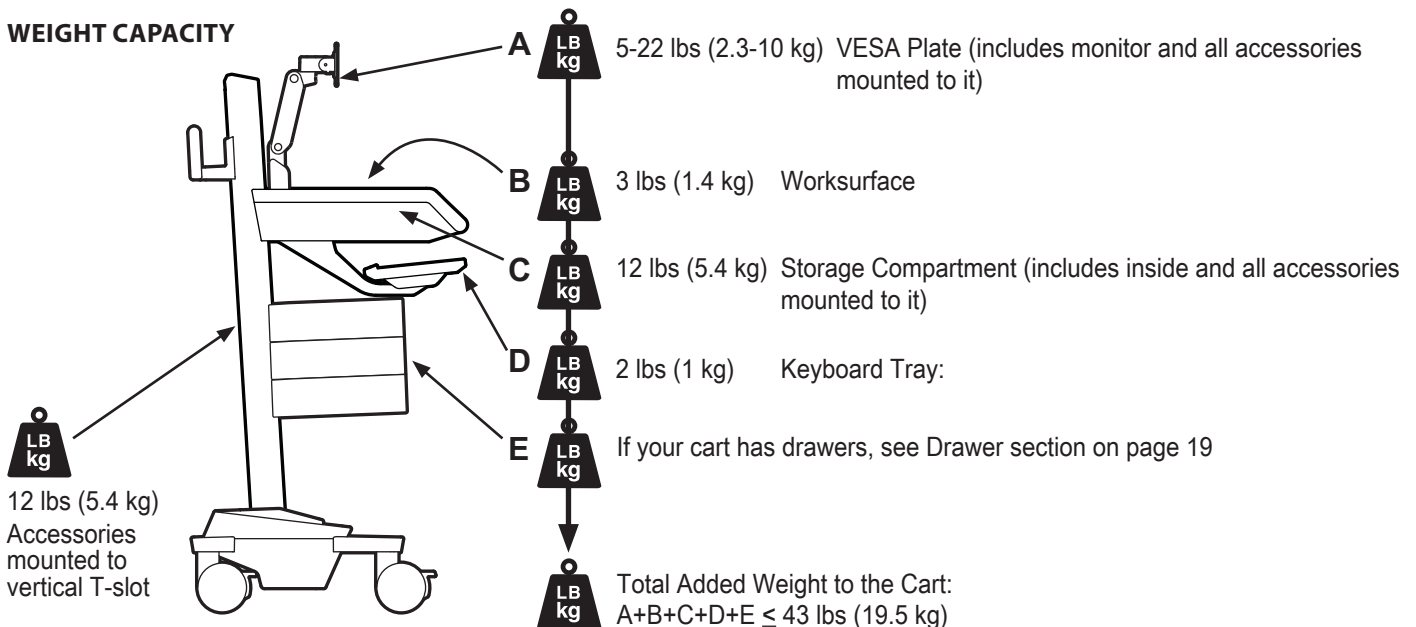
© 2026 Ergotron, Inc. rev. 03/10/2026 DIM-MosaicARM **Content is subject to change without notification**

mosaic™ Flex Arm, Non-Powered

RANGE OF MOTION



WEIGHT CAPACITY



Download additional resources at ergotron.com

USA & Canada Sales & Corporate Headquarters: St. Paul, MN USA / 800.888.8458 / +1.651.681.7600 / insidesales@ergotron.com

EMEA Sales: Amersfoort, The Netherlands / +31.33.45.45.600 / info.eu@ergotron.com

APAC Sales: Sydney, Australia / apaccustomerservice@ergotron.com

LATAM Sales: info.latam@ergotron.com

Worldwide Custom Sales: custom@ergotron.com

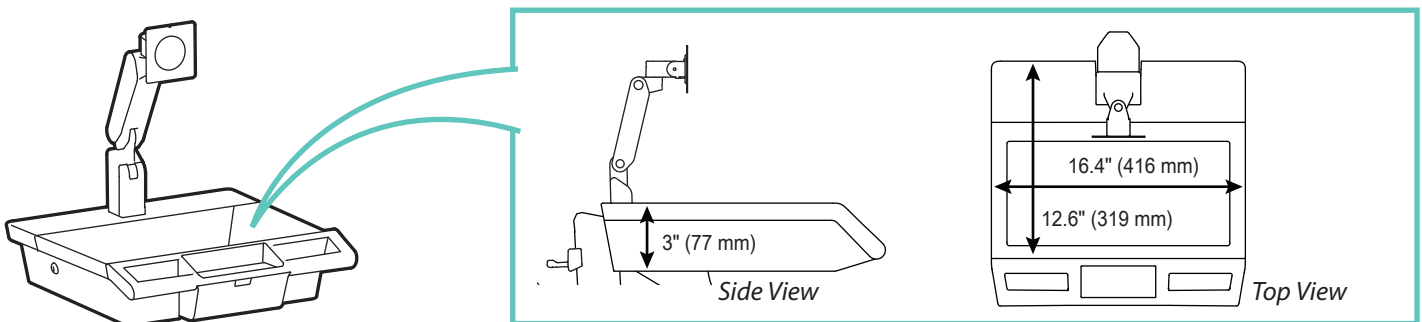
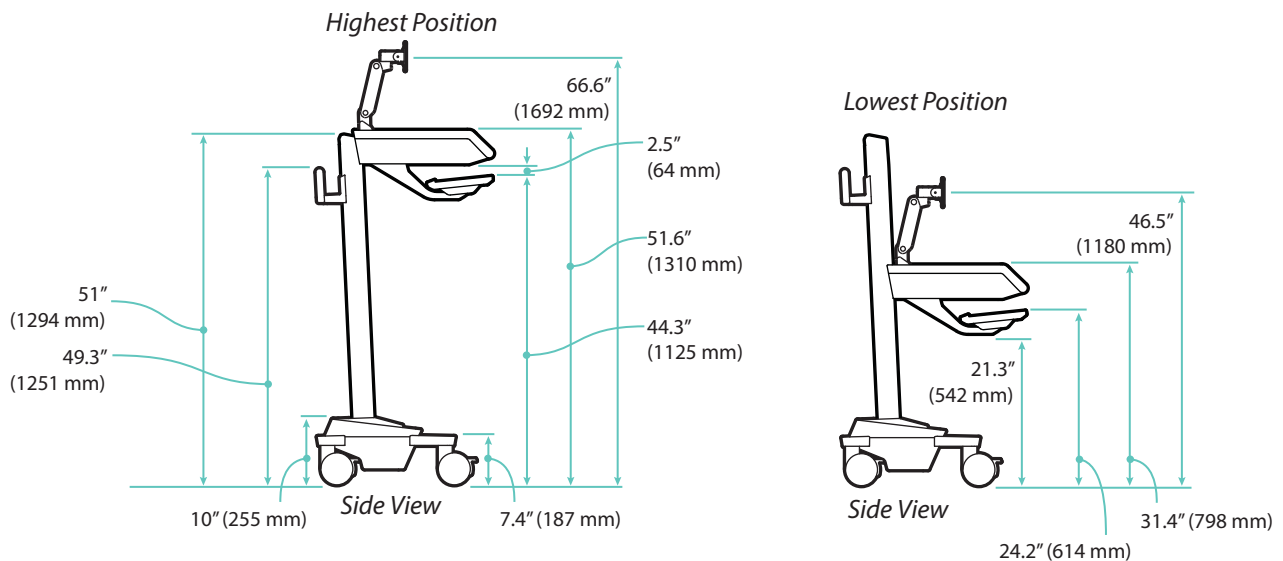
Ergotron devices are not intended to cure, treat, mitigate or prevent any disease. Patent information available at www.ergotron.com/patents

© 2026 Ergotron, Inc. rev. 03/10/2026 DIM-MosaicARM **Content is subject to change without notification**

mosaic™

Flex Arm, Non-Powered

DIMENSIONS



Download additional resources at ergotron.com

USA & Canada Sales & Corporate Headquarters: St. Paul, MN USA / 800.888.8458 / +1.651.681.7600 / insidesales@ergotron.com

EMEA Sales: Amersfoort, The Netherlands / +31.33.45.45.600 / info.eu@ergotron.com

APAC Sales: Sydney, Australia / apaccustomerservice@ergotron.com

LATAM Sales: info.latam@ergotron.com

Worldwide Custom Sales: custom@ergotron.com

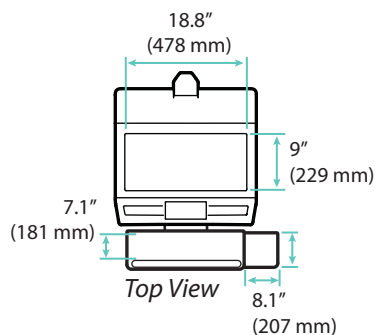
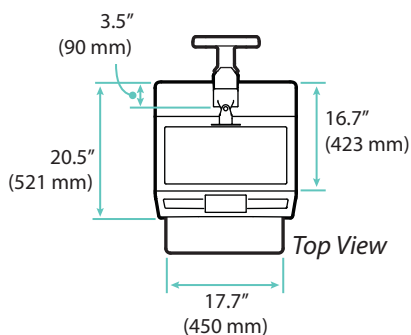
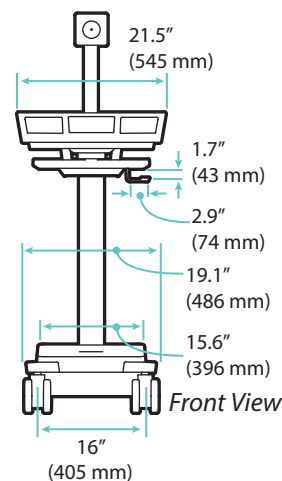
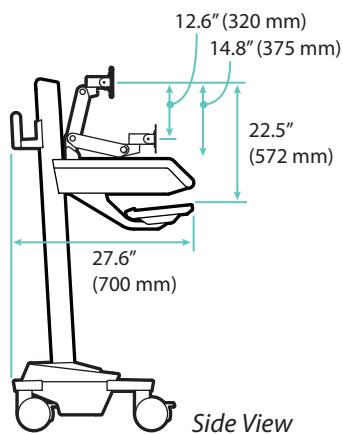
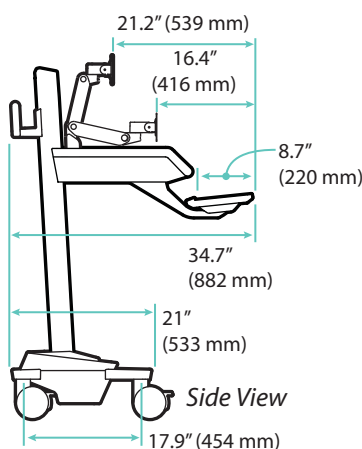
Ergotron devices are not intended to cure, treat, mitigate or prevent any disease. Patent information available at www.ergotron.com/patents

© 2026 Ergotron, Inc. rev. 03/10/2026 DIM-MosaicARM **Content is subject to change without notification**

mosaic™

Flex Arm, Non-Powered

DIMENSIONS



Download additional resources at ergotron.com

USA & Canada Sales & Corporate Headquarters: St. Paul, MN USA / 800.888.8458 / +1.651.681.7600 / insidesales@ergotron.com

EMEA Sales: Amersfoort, The Netherlands / +31.33.45.45.600 / info.eu@ergotron.com

APAC Sales: Sydney, Australia / apaccustomerservice@ergotron.com

LATAM Sales: info.latam@ergotron.com

Worldwide Custom Sales: custom@ergotron.com

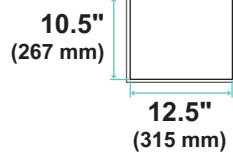
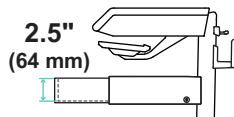
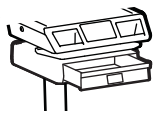
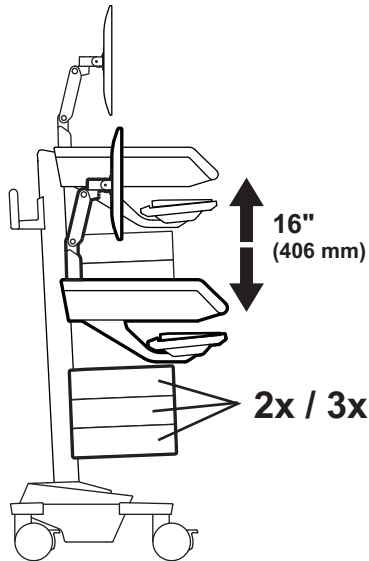
Ergotron devices are not intended to cure, treat, mitigate or prevent any disease. Patent information available at www.ergotron.com/patents

© 2026 Ergotron, Inc. rev. 03/10/2026 DIM-MosaicARM **Content is subject to change without notification**

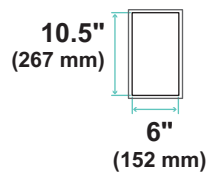
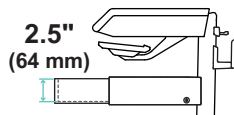
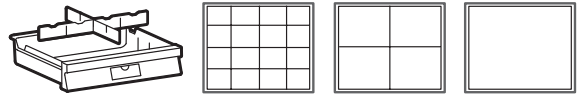
mosaic™

Flex Arm, Non-Powered

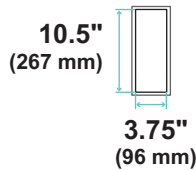
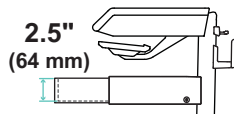
DRAWERS



LB kg Total weight capacity per drawer.
≤ 2 lbs (1 kg)



LB kg Total weight capacity per drawer.
≤ 1 lbs (0.5 kg)



LB kg Total weight capacity per drawer.
≤ 0.25 lbs (0.1 kg)



Download additional resources at ergotron.com

USA & Canada Sales & Corporate Headquarters: St. Paul, MN USA / 800.888.8458 / +1.651.681.7600 / insidesales@ergotron.com

EMEA Sales: Amersfoort, The Netherlands / +31.33.45.45.600 / info.eu@ergotron.com

APAC Sales: Sydney, Australia / apaccustomerservice@ergotron.com

LATAM Sales: info.latam@ergotron.com

Worldwide Custom Sales: custom@ergotron.com

Ergotron devices are not intended to cure, treat, mitigate or prevent any disease. Patent information available at www.ergotron.com/patents

© 2026 Ergotron, Inc. rev. 03/10/2026 DIM-MosaicARM **Content is subject to change without notification**