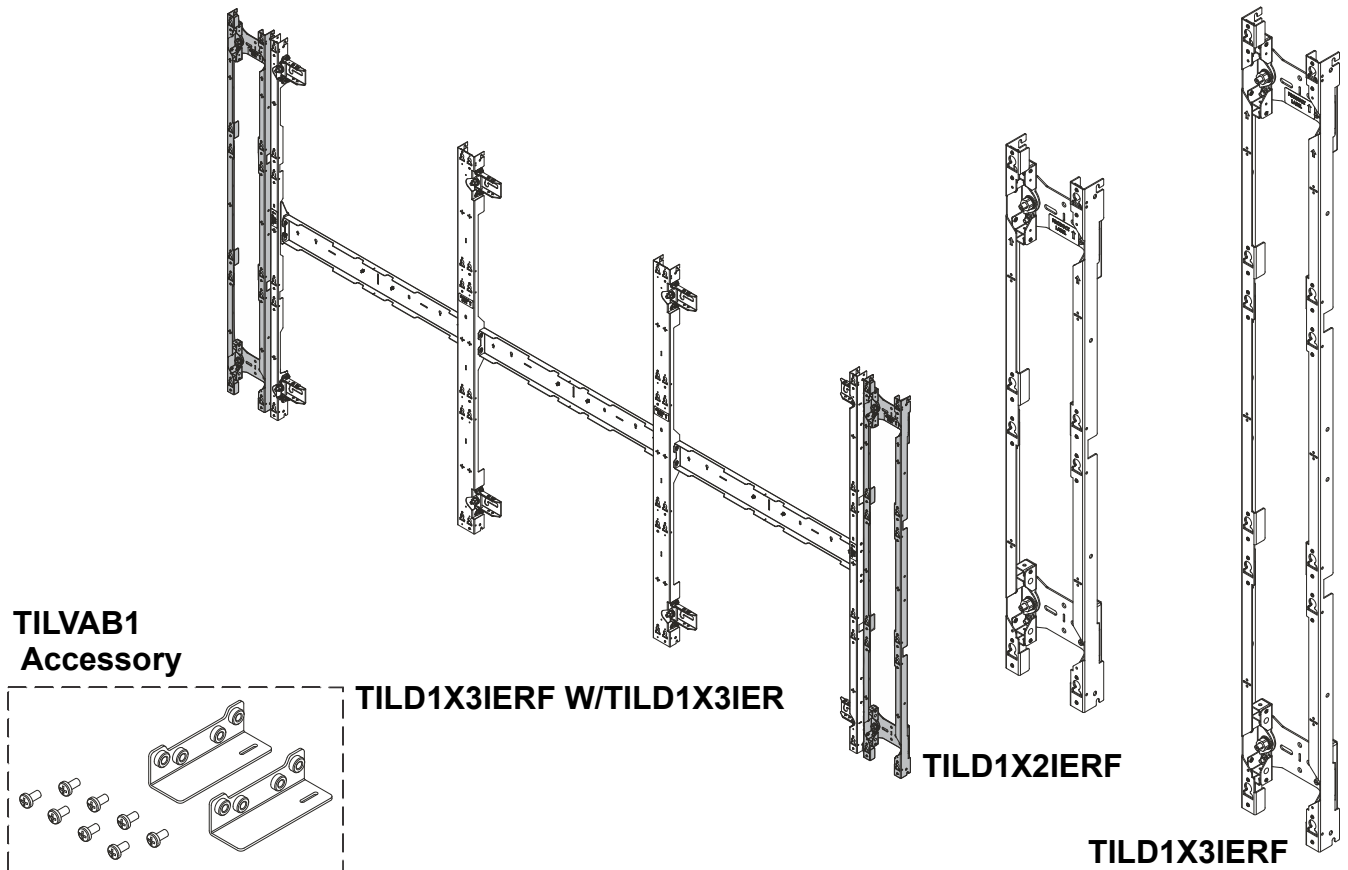


INSTALLATION INSTRUCTIONS



Samsung IERF LED Wall Mounts

CHIEF[®]

A brand of **legrand**[®]

TILD1X2IERF / TILD1X3IERF

DISCLAIMER

Legrand | AV and its affiliated corporations and subsidiaries (collectively "Legrand | AV"), intend to make this manual accurate and complete. However, Legrand | AV makes no claim that the information contained herein covers all details, conditions or variations, nor does it provide for every possible contingency in connection with the installation or use of this product. The information contained in this document is subject to change without notice or obligation of any kind. Legrand | AV makes no representation of warranty, expressed or implied, regarding the information contained herein. Legrand | AV assumes no responsibility for accuracy, completeness or sufficiency of the information contained in this document.

Chief® is a registered trademark of Legrand AV Inc.

DEFINITIONS

MOUNTING SYSTEM: A MOUNTING SYSTEM is the primary Chief product to which an accessory and/or component is attached.

ACCESSORY: AN ACCESSORY is the secondary Chief product which is attached to a primary Chief product, and may have a component attached or setting on it.

COMPONENT: A COMPONENT is an audiovisual item designed to be attached or resting on an accessory or mounting system such as a video camera, CPU, screen, display, projector, etc.



WARNING: A WARNING alerts you to the possibility of serious injury or death if you do not follow the instructions.



CAUTION: A CAUTION alerts you to the possibility of damage or destruction of equipment if you do not follow the corresponding instructions.



IMPORTANT SAFETY INSTRUCTIONS



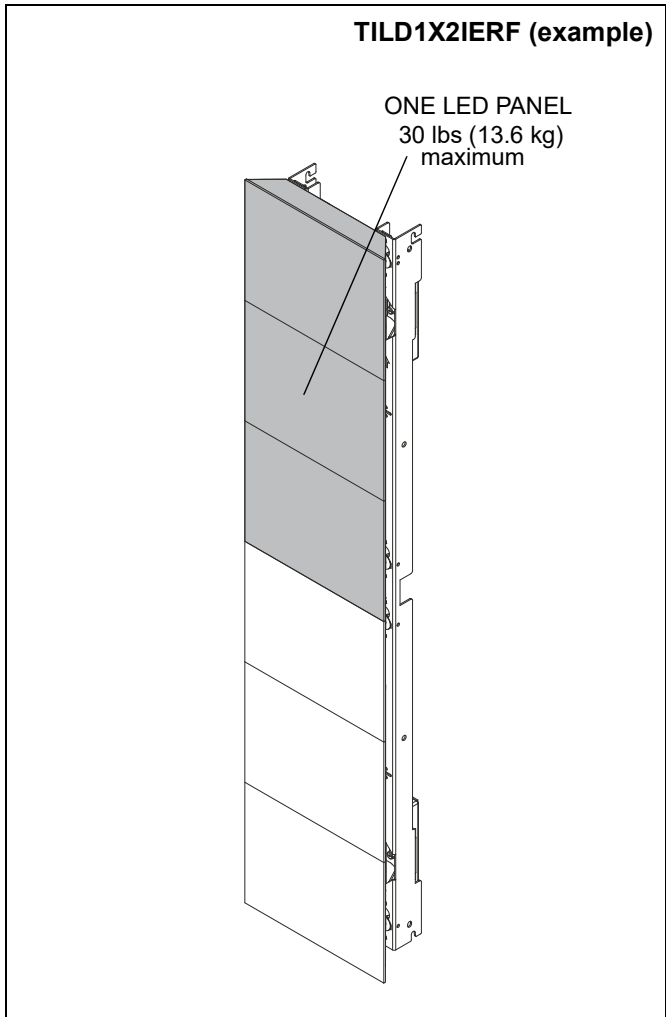
WARNING: Failure to read, thoroughly understand, and follow all instructions can result in serious personal injury, damage to equipment, or voiding of factory warranty! It is the installer's responsibility to make sure all mounting systems are properly assembled and installed using the instructions provided.



WARNING: Failure to provide adequate structural strength for this mounting system can result in serious personal injury or damage to equipment! It is the installer's responsibility to make sure the structure to which this mounting system is attached can support five times the combined weight of all equipment. Reinforce the structure as required before installing the mounting system. The wall to which the mounting system is being attached may have a maximum drywall thickness of 5/8" (1.6cm). Do not install drywall anchors into the seam between drywall pieces.



WARNING: The TILD1XIER / TILD1X3XIER LED wall mounts are designed for use with LED panels only. Exceeding the weight capacity (listed) can result in serious personal injury or damage to equipment! Do NOT attach LED panels to TILD1XIER / TILD1X3XIER LED video wall mounts that exceed 30 lbs (13.6 kg) regardless of the size or design of the configuration. See figure below for examples.



WARNING: Use this mounting system only for its intended use as described in these instructions. Do not use attachments not recommended by the manufacturer.



WARNING: Never operate this mounting system if it is damaged. Return the mounting system to a service center for examination and repair.

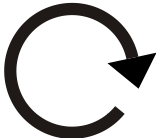

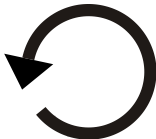











WARNING: Do not use this mounting system outdoors.

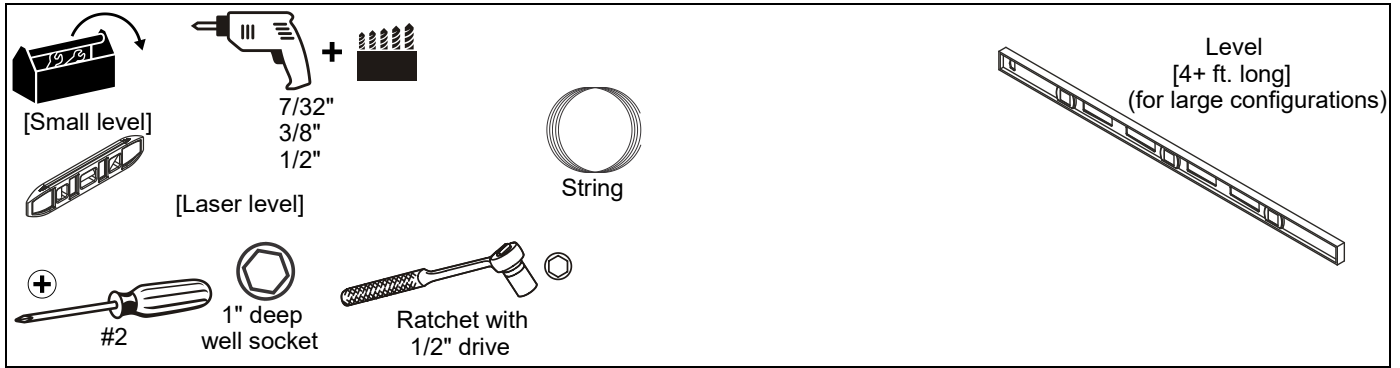
IMPORTANT ! : The TILD1X2IERF/TILD1X3IERF LED wall mounts are designed to be mounted to a bare 8" concrete or 8"x8"x16" concrete block wall.

--SAVE THESE INSTRUCTIONS--

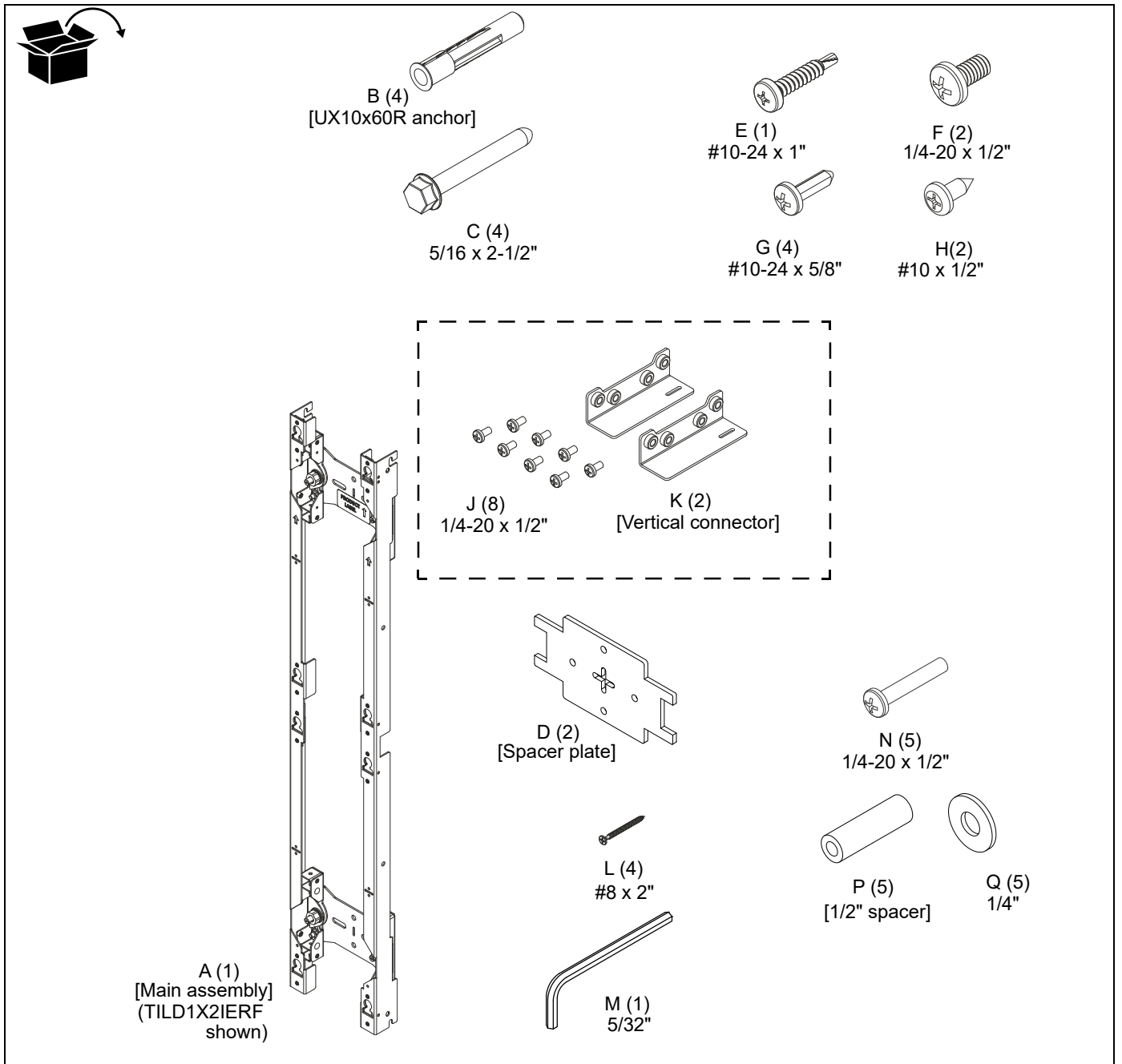
LEGEND

	Tighten Fastener Apretar elemento de fijación Befestigungsteil festziehen Apertar fixador Serrare il fissaggio Bevestiging vastdraaien Serrez les fixations		Pencil Mark Marcar con lápiz Stiftmarkierung Marcar com lápis Segno a matita Potloodmerkten Marquage au crayon
	Loosen Fastener Aflojar elemento de fijación Befestigungsteil lösen Desapertar fixador Allentare il fissaggio Bevestiging losdraaien Desserrez les fixations		Drill Hole Perforar Bohrloch Fazer furo Praticare un foro Gat boren Percez un trou
	Phillips Screwdriver Destornillador Phillips Kreuzschlitzschraubendreher Chave de fendas Phillips Cacciavite a stella Kruiskopschroevendraaier Tournevis à pointe cruciforme		Adjust Ajustar Einstellen Ajustar Regolare Afstellen Ajuster
	Open-Ended Wrench Llave de boca Gabelschlüssel Chave de bocas Chiave a punte aperte Steeksleutel Clé à fourche		Remove Quitar Entfernen Remover Rimuovere Verwijderen Retirez
	By Hand A mano Von Hand Com a mão A mano Met de hand À la main		Optional Opcional Optional Opcional Opzionale Optie En option
	Hex-Head Wrench Llave de cabeza hexagonal Sechskantschlüssel Chave de cabeça sextavada Chiave esagonale Zeskantsleutel Clé à tête hexagonale		Security Wrench Llave de seguridad Sicherheitsschlüssel Chave de segurança Chiave di sicurezza Veiligheidssleutel Clé de sécurité

TOOLS REQUIRED FOR INSTALLATION



PARTS



INSTALLATION

Preinstallation

IMPORTANT ! : Reference the LED screen installation manual for specific instructions regarding care, handling, cabling and installation of the LED screens.



CAUTION: Handle the LED screens with care, being careful to not impact or drop the LED screen.



CAUTION: There is a magnetic surface on the front of the LED screen. To prevent damage ensure that no metallic object is pulled onto the LED screen.

NOTE: When planning the installation, remember the requirement to run power and signal to the video wall.

Site Assessment

Before beginning any installation the site should be assessed in several areas to help avoid any issues during the actual installation.

- **Wall Structure** - It is recommended that a 3/4" furniture-grade plywood-backed wall be used in most LED video walls. The use of a wood stud wall is not appropriate since the studs won't be in the proper location for an LED video wall.
- **Wall High/Low Points** - Locate any high or low points on the wall that may cause problems, and try to set up install so that these points can be avoided, if possible.
- **Flatness/Plumb of Wall** - Learn how much depth adjustment will be needed across the LED video wall mounting area.
- **Power/Cable** - Locate all power outlets and cable access holes that need to be cleared by the installation. Plan appropriately for those holes.
- **Installing in a Recess** - Verify the level and squareness of the recessed area. Since these areas are rarely perfect you may need to decide what to use as a reference point.
 - The recess top or bottom may not be level so the video wall may need to be installed to align with the recess, rather than being level with the wall.
 - If the recess is not square the sides may make the recess look crooked. If possible, the recess should be fixed. If repairing the recess isn't an option it may be best to "split the difference" between the recess sides to make the video wall appear level.
- **Where to Begin the Video Wall** - The installer should make the decision whether the video wall will be started at the top, bottom, left, right or center.
 - If a lower bottom reference is given in the specifications, it may make sense to start at the bottom of the video wall to ensure that this specification is met from the start of installation.
 - If building inside of a recess, it may be easier to start in the center of the space since the video wall will most likely need to be centered within the recess.
- **Vertical Connector Brackets** - If creating a video wall with more than a single row, you will be using the vertical connectors which are sold separately.
 - **Vertical Connector Brackets [sold separately]** If the video wall requires multiple rows, decide on whether the installation will start with the top or

bottom row. This determines to which end (top or bottom) the vertical connector brackets are attached.



Just a tip - For larger LED walls it is helpful to check placement and alignment of the mounts by putting a few cabinets without the LED's in place in the bottom row of the installed mounts (referencing the LED screen installation manual for specific instructions) during the mount installation, verifying that everything is staying aligned and level, and then continuing the mount installation.



Just a tip - The horizontal slots located along the vertical mount pieces (and vertical slots located along the horizontal mount pieces) are the center-of-screen indicators to illustrate where the center of each LED screen will be located, and can be used to hold a tape measure tab while measuring. (See Figure 1)

[TILD1X2US shown for reference]

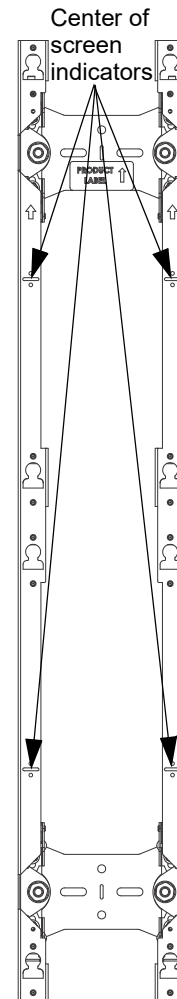


Figure 1

Determining Installation Site

IMPORTANT ! : The top of the LED screen is 5.15" above the center line of the mounting lags in the upper mounting slots. (See Figure 2)

IMPORTANT ! : The bottom of the LED screen is 5.32" below the center line of the mounting lags in the lowest mounting slots.

NOTE: Refer to dimensions drawings on pages 15-16 and in Figure 2 for further details on installation locations.

Installation to Wall

NOTE: The TILD1X2IERF/TILD1X3IERF mounts may be installed by themselves or attached to the side of previously installed TILD Series IER video wall mounting systems. If installing to IER video wall, proceed to **Installation to Existing Video Wall** Section.

The TILD1X2IER/TILD1X3IER LED wall mounts are designed to be mounted to a bare 8" concrete wall or 8"x 8"x 16" concrete block wall.

Table 1: Fastener Information

WALL TYPE	PILOT HOLE	FASTENERS (see PARTS drawing)
Concrete or concrete block	3/8" x 3"	- 5/16 x 2-1/2" flanged hex head lag (C) - 5/16" washer (D) - Adjustment washer (A) - Fischer Anchor UX10x60R (B)

1. Hold main assembly (A) against wall ensuring that mounting slot is lined up with center line marked on the wall in **Determining Installation Site** section. Double-check with a level. (See Figure 10) or (See Figure 9)
2. Mark mounting holes in four mounting slots along the horizontal lines. (See Figure 10)

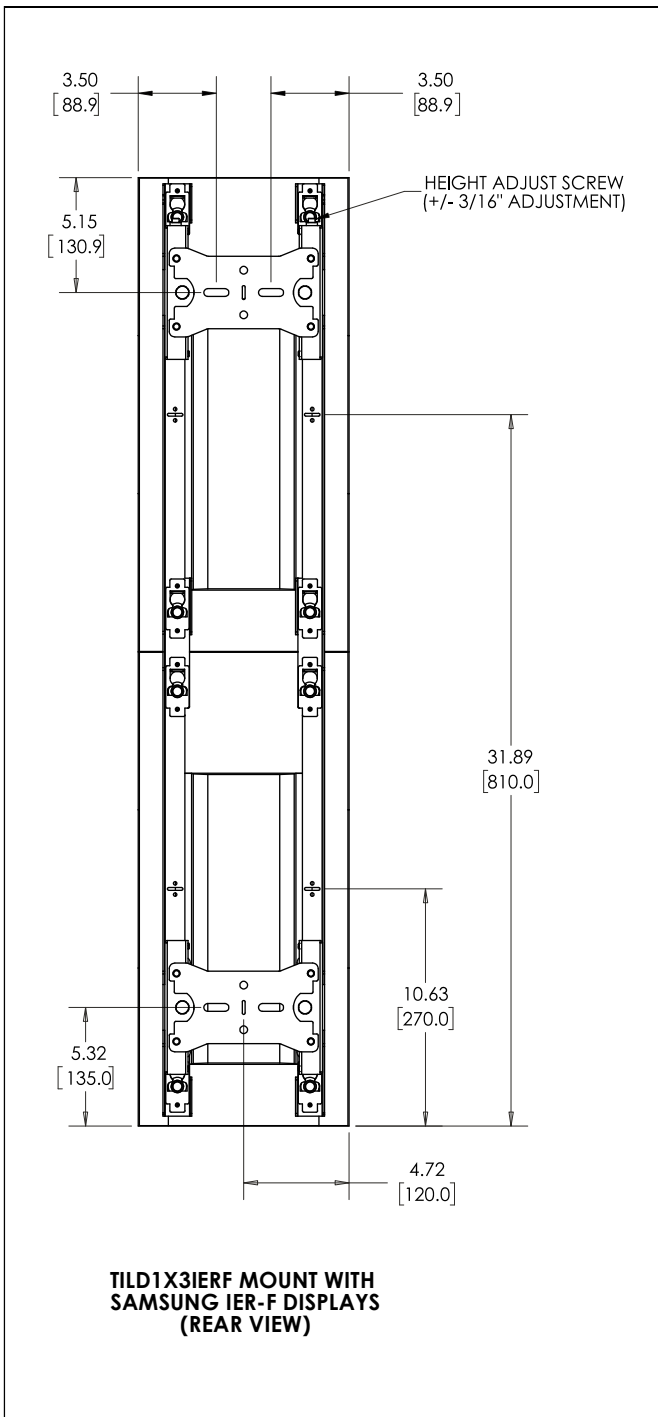


Figure 2

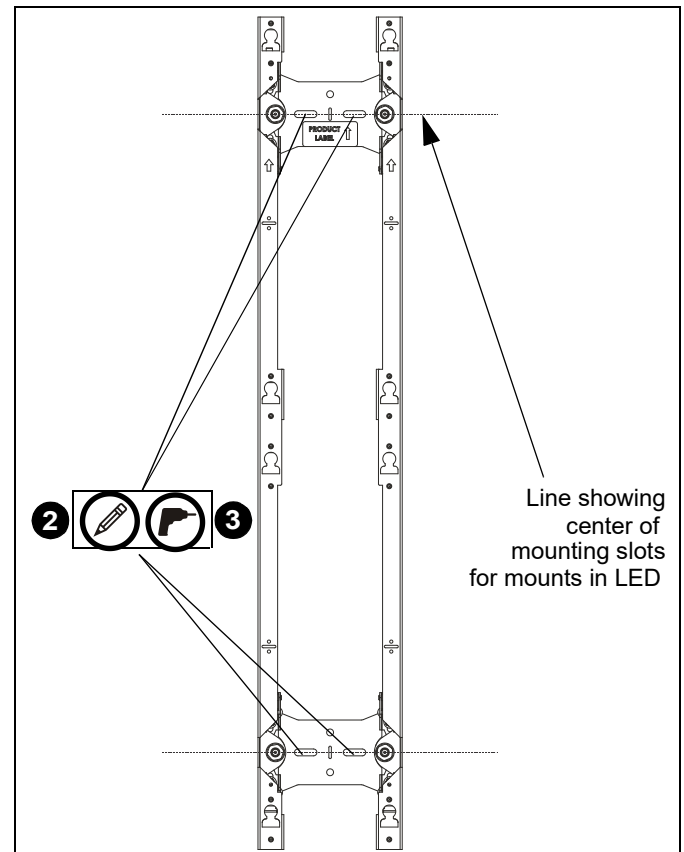


Figure 3

3. Drill two pilot holes (see Table 1 for size) at each location marked in Step 2 (See Figure 10) or (See Figure 9) and follow fastener information located in Table 1.

IMPORTANT ! : Refer to **Fastener Installation Methods** (located in **Appendix** at end of Installation Instructions) for details on installing product into various wall types.

4. Install four lag screws (C) into wall. (See Figure 4)

NOTE: (OPTIONAL) If more LED screens need to be added to the top or bottom of the screen configuration, add TILVABPT vertical connector kit (not included) to top or bottom of wall mount following instructions in the **(OPTIONAL) Adding Vertical Connector Kit**. If you are NOT adding the TILVABPT connector kit, proceed to **Step 5**.

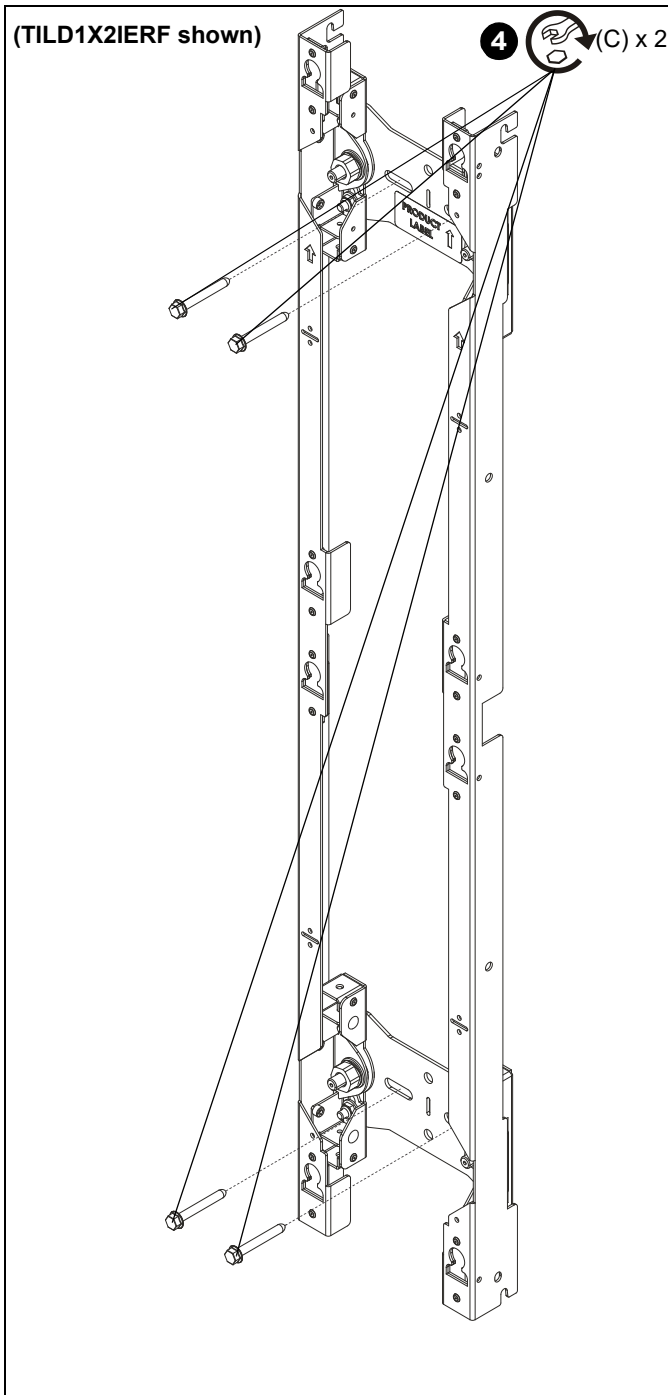


Figure 4

Adding Vertical Connector Kit

NOTE: If more LED screens will need to be added to the top of the screen configuration, add TILVAB1 vertical connector kit to top of wall mount using the following instructions. If you are NOT adding the TILVAB1 connector kit, proceed to **Installing First Mount** section.

IMPORTANT ! : Install the vertical connector kit **BEFORE** the mounts are attached to the wall.

1. Slide the vertical connector (K) down from the top of the mount, and attach with two 1/4-20 x 1/2" Phillips pan head screws (J) per vertical connector. (See Figure 5)
2. Loosely install one 1/4-20 x 1/2" Phillips pan head screw (J) in the lower screw hole at the top of each vertical connector (K). (See Figure 5)

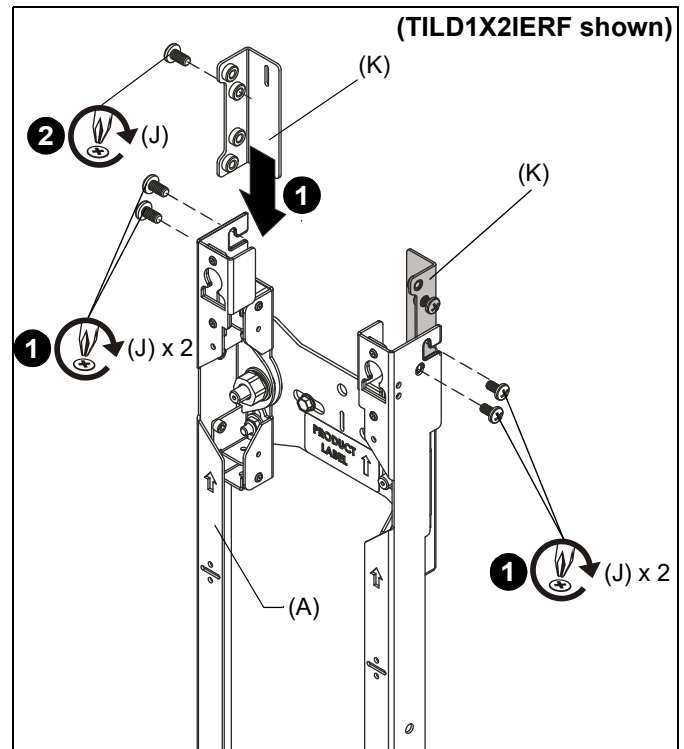


Figure 5

NOTE: Row of mounts above first row will not be installed to vertical connectors (K) until the **Connecting Mounts Above First Row Section**.

Installing to Existing Video Wall

1. Slide spacer plates (D) into slots on side of TILD1XxIER mount where TILD1XxIERF mount will be attached. Plates should fit into slots perfectly if aligned correctly. (See Figure 6)

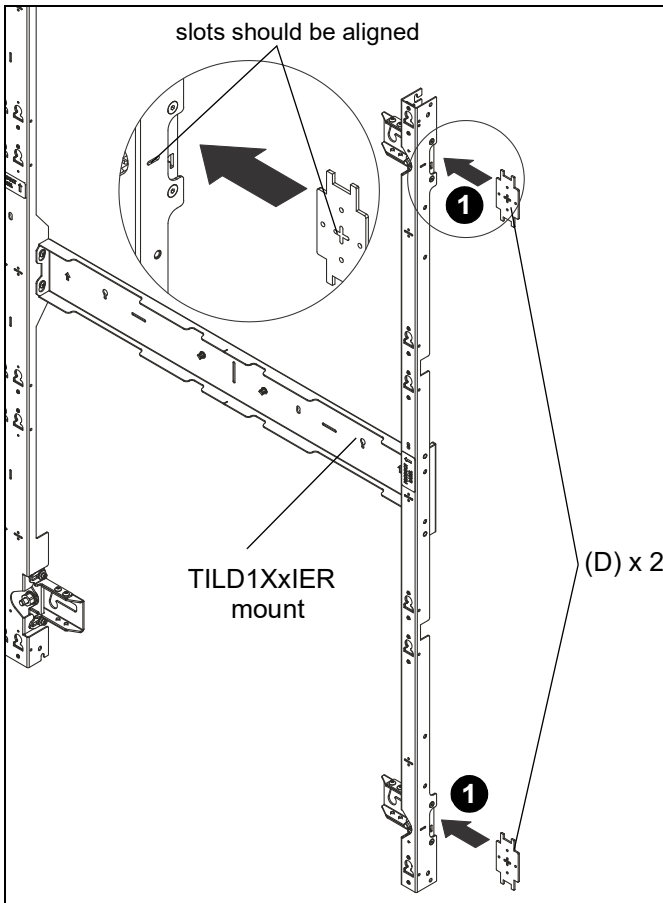


Figure 6

2. Use two #8 x 2" Phillips drywall screws (L) to secure each spacer plate to wall. (See Figure 7)
3. (Optional) For additional stability, install stability spacers (P) using 1/4-20 x 1/2" Phillips head cap screws (N) and two 1/4" washers (Q) per spacer. (See Figure 7)
4. Slide main assembly (A) onto spacer plates (D) and hold against wall in mounting position. (See Figure 7)

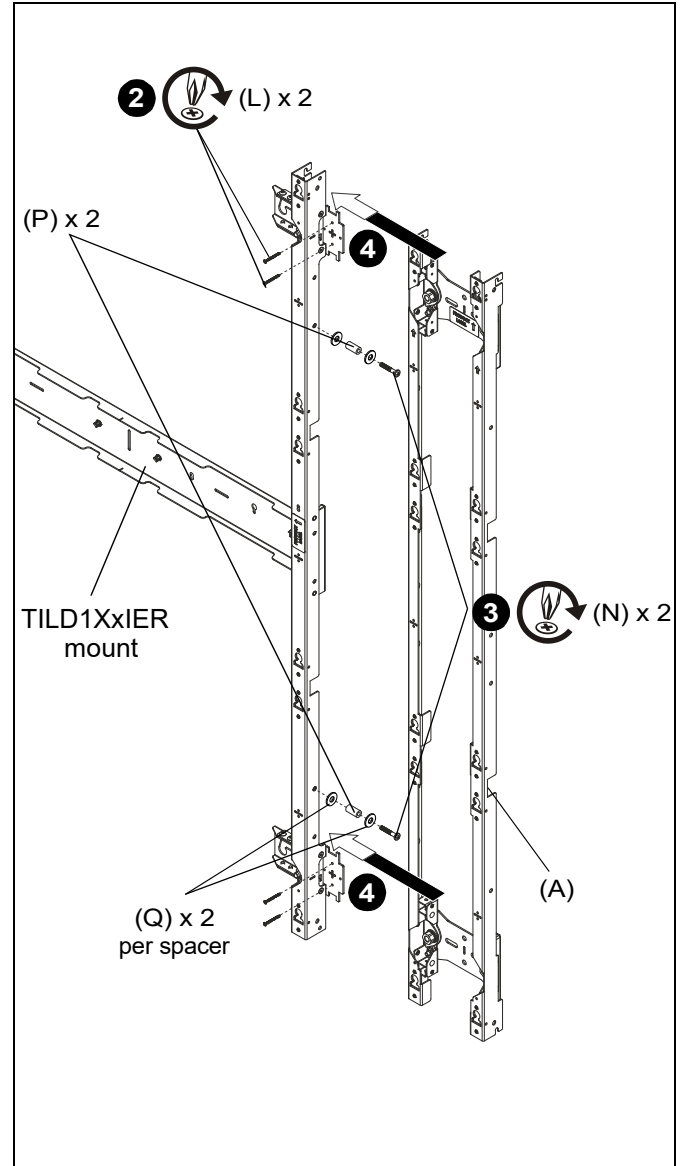


Figure 7

5. Follow Steps 2-4 of **Installation to Wall Section** secure main assembly (A) to wall.

Installing TILD1XxIERF to TILD1XxIERF

- Slide spacer plates (D) into slots on side of TILD1XxIERF mount where additional TILD1XxIERF mount will be attached. Plates should fit into slots perfectly if aligned correctly. (See Figure 8)

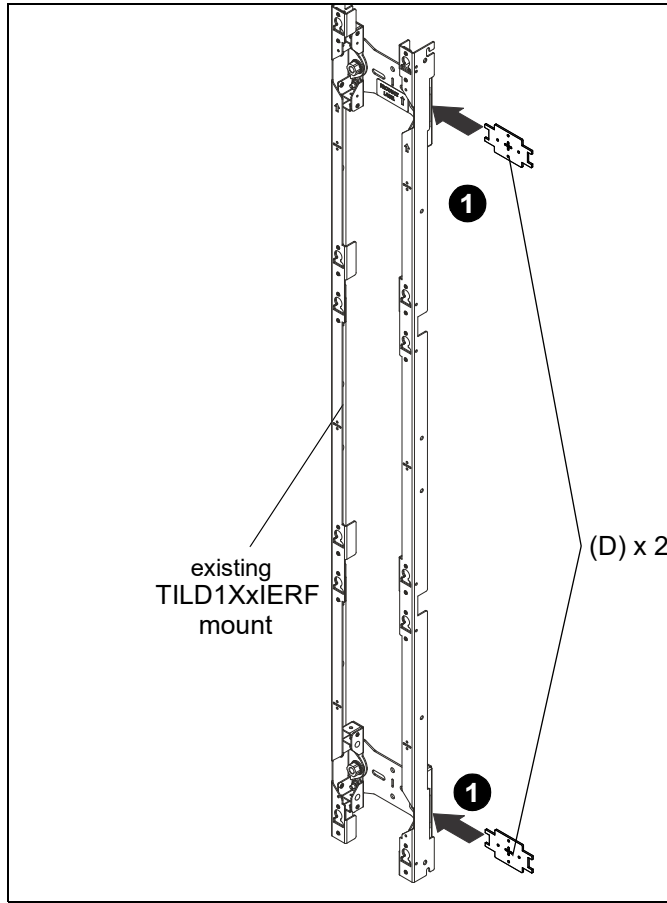


Figure 8

- Use two #8 x 2" Phillips drywall screws (L) to secure each spacer plate to wall. (See Figure 9)
- Slide main assembly (A) onto spacer plates (D) and hold against wall in mounting position. (See Figure 9)

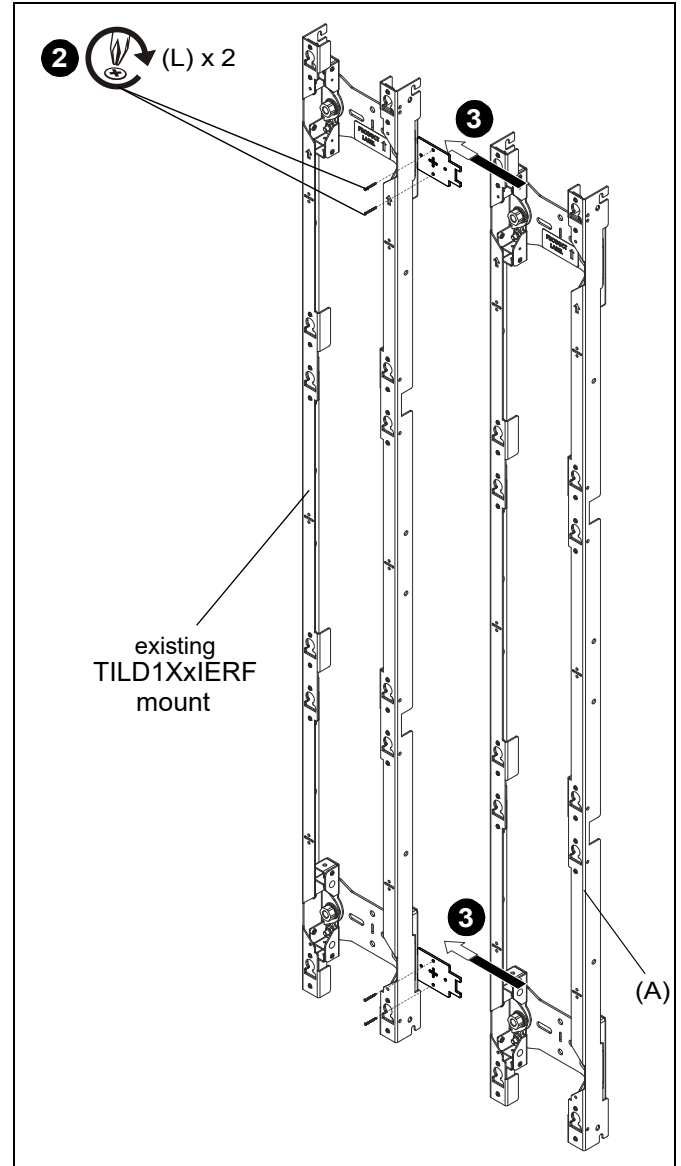


Figure 9

- Follow Steps 2-4 of **Installation to Wall Section** secure main assembly (A) to wall.

IMPORTANT ! : Continually recheck the alignment and overall flatness of the wall mounts during the installation process.

5. Continue the installation process until all wall mounts are attached. Use a magnetic level on front face of outside uprights to make sure they are plumb. Use 3/4" hex nuts to adjust as needed. (See Figure 10)
6. Install two #10 x 1/2" Phillips tapping screw (H) into far left and far right upper LED mounting button hole for each LED screen space. Install the tapping screws ONLY on the furthest left and right column of mounts. (See Figure 10)

8. Turn 3/4" hex nuts on each upright to adjust depth to match the string depth as needed. (See Figure 11)

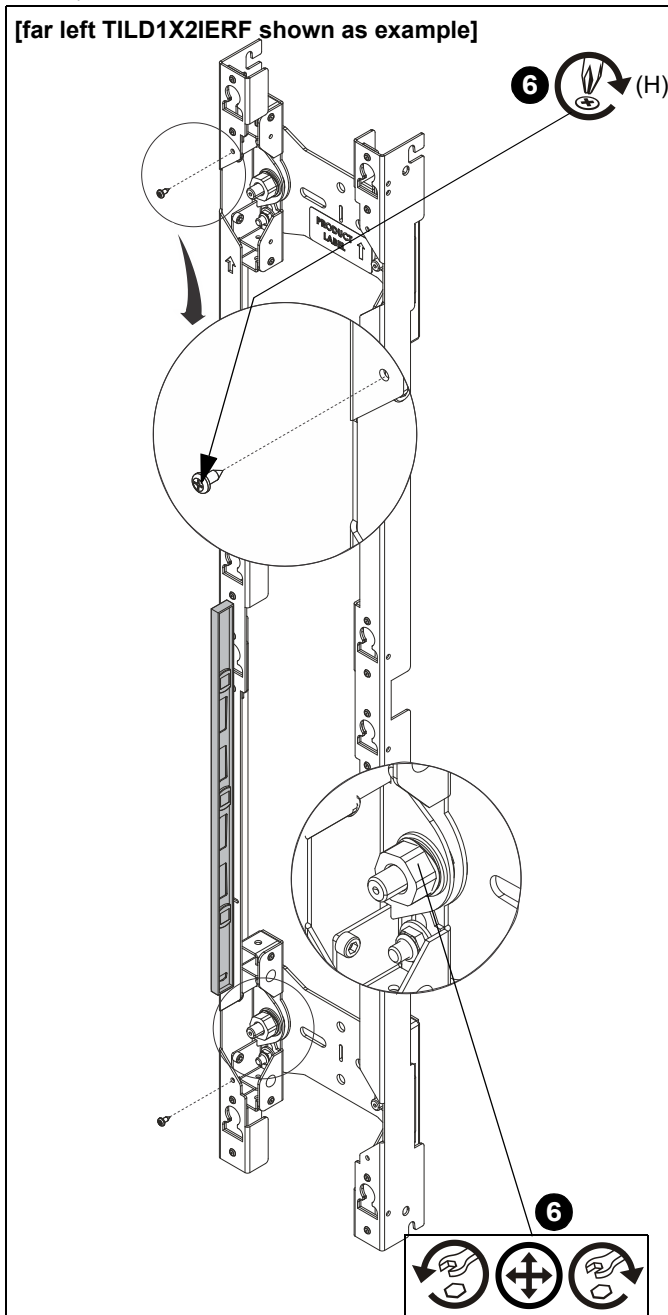


Figure 10

7. Run a string between the self-tapping screws installed in **Step 7** to assist with alignment across long sections of mounts. (See Figure 11)

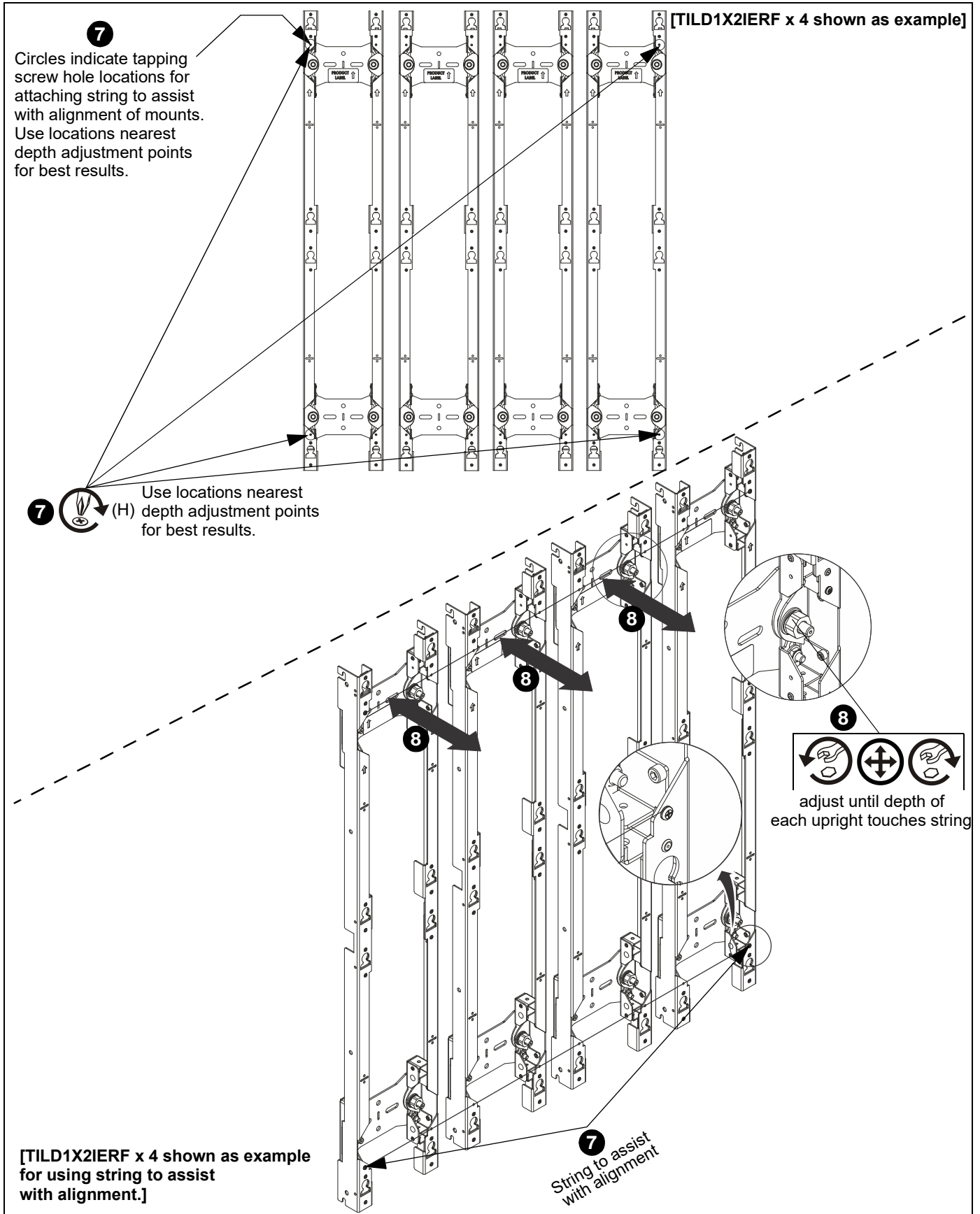


Figure 11

Connecting Mounts Above First Row

1. Lower additional mounts (A) onto installed mounts (A), placing grooves at bottom of uprights over partially installed screws (J) on connector kit. (See Figure 12)

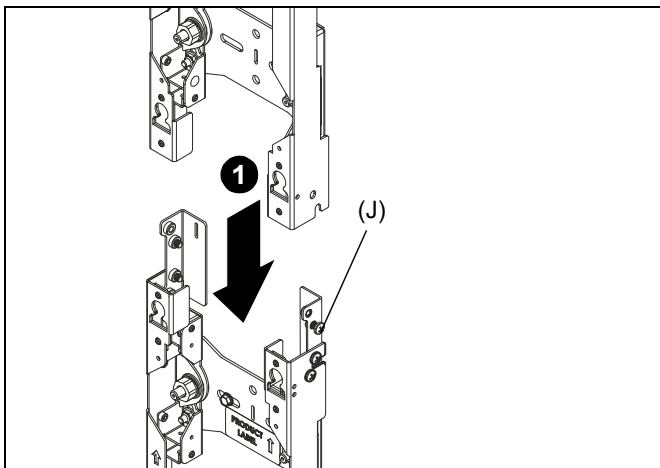


Figure 12

2. Install remaining 1/4-20 x 1/2" Phillips pan machine screws (J) into hole above partially installed screws. (See Figure 13)
3. Tighten partially installed screw (J) to secure additional upright to existing upright. (See Figure 13)

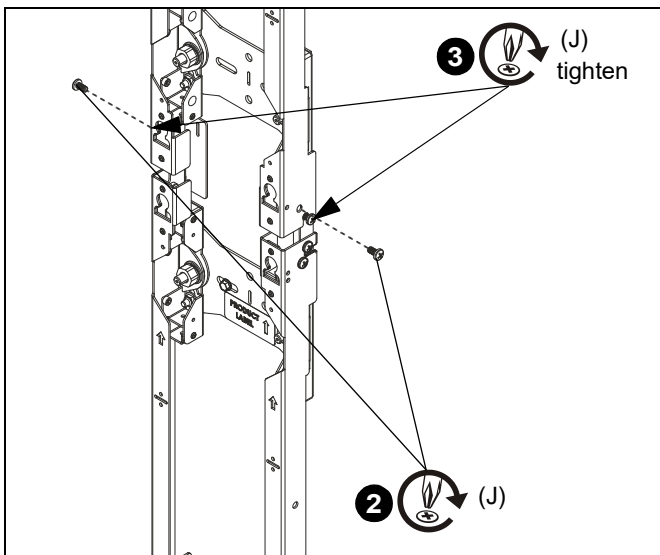


Figure 13

Installing Housings and LED Screens

IMPORTANT ! : Reference the LED screen installation manual for specific instructions regarding care, handling, cabling and installation of the LED housings and screens.

NOTE: Begin the installation of the housings at the bottom of the video wall.

NOTE: One complete column of housings should be installed before proceeding to the next column.

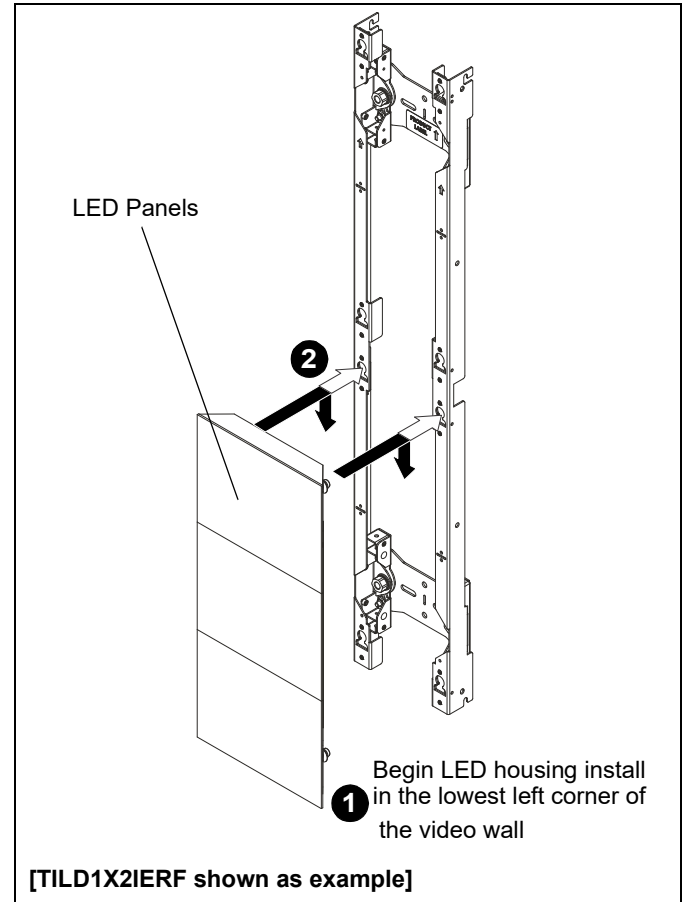


Figure 14

1. Install the first LED housing in the lowest left-hand corner of the video wall by aligning mounting buttons on the housing with the mounting holes on the wall mount. (See Figure 14)
2. Move LED housing forward until all four mounting buttons are through mounting holes in wall mount.
3. Continue with the next housing (directly above installed housing).

NOTE: Be sure to check the level and plumb of the housings often during the housing installation.

4. **AFTER** the **entire** first column of housings are installed, slide the column to the left to allow clearance for installation of the second column.
5. After the second column of housings is installed, push to the left until the first and second columns of housings are touching.
6. Repeat until all housings are installed.
7. Using levels, check the level and plumb of the housings installed on the mounts and adjust as necessary following information in the **Adjustments** section.
8. Connect housings following instructions included with LED screens.
9. Install LED screens following instructions included with screens.

Adjustments

Plumb Adjust

NOTE: Plumb adjustments should be made prior to installing displays but if further adjustments are still needed, follow the following steps.

1. Remove LED housings from mounting system.
2. Turn 3/4" hex nuts on upright to adjust depth as needed. (See Figure 15)
3. Re-install LED housings onto mounting system.

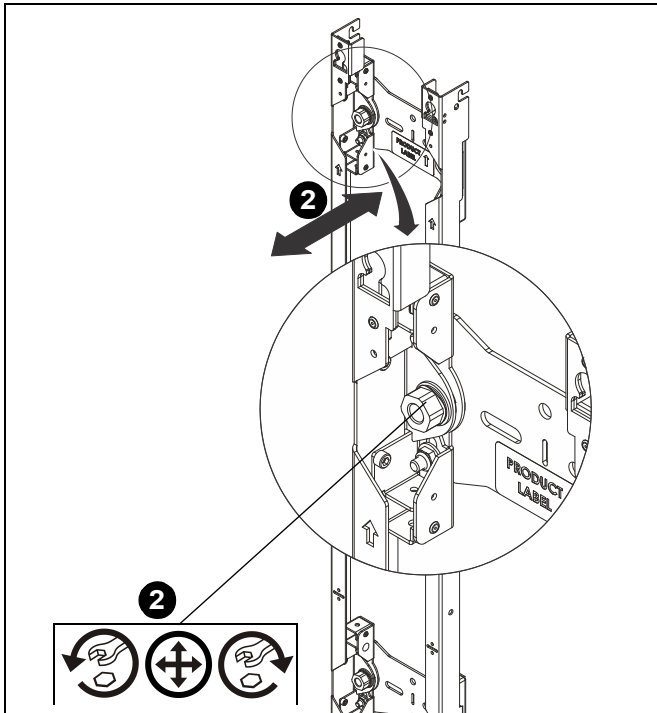


Figure 15

Fastener Installation Methods

IMPORTANT ! : See Table 1 for appropriate hardware and pilot hole sizes for various wall types.

IMPORTANT ! : The expanse of the LED wall will most likely mean that attachment of the wall mounts will not all be in studs. The attachment method will most likely vary throughout the installation, and more than one of the various methods outlined here will most likely be used.

Concrete or Concrete Block

1. Install one UX10X60R anchor (B) into each pilot hole using a hammer, making sure that the anchor is flush with the wall. (See Figure 16)
2. Use one 5/16" x 2-1/2" hex flange head lag bolt (C) through product into each anchor in wall. (See Figure 16)

3. Repeat for remaining pilot holes.

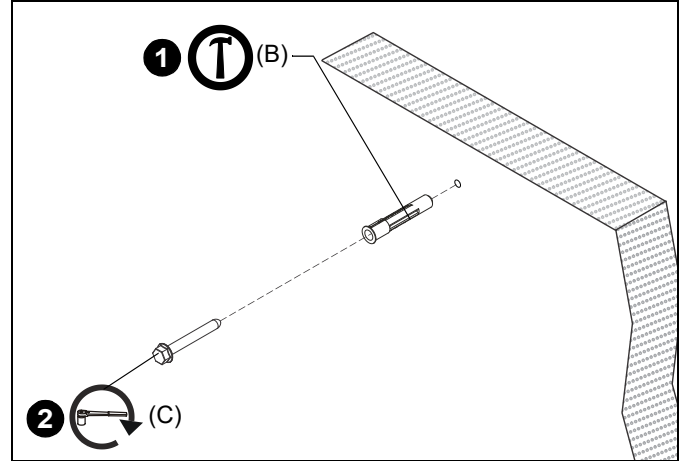


Figure 16

Lateral Shift Locking Screws (Optional)

NOTE: To lock lateral shift position, #10-24 x 5/8" Phillips tapping screws (G) may be used to secure displays in position.

1. After all displays are mounted and leveled, install #10-24 x 5/8" Phillips tapping screws (G) on the outermost uprights. (See Figure 17)

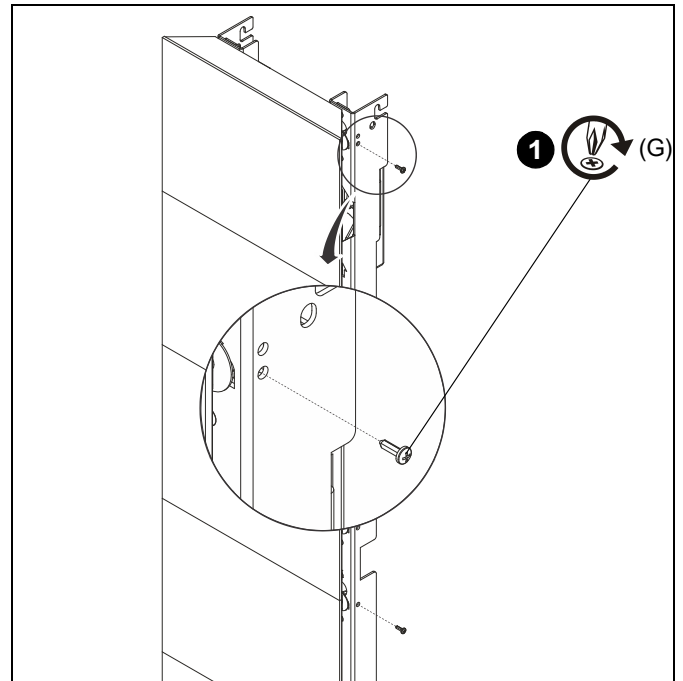


Figure 17

Security Screws (Optional)

NOTE: For increased security, #10-24 x 1" Phillips screws (E) may be used to secure displays to uprights (L, M or N).

1. After all displays are mounted and leveled, install #10-24 x 1" Phillips screws (E) until the screw contacts mounting buttons of LED displays. (See Figure 17)

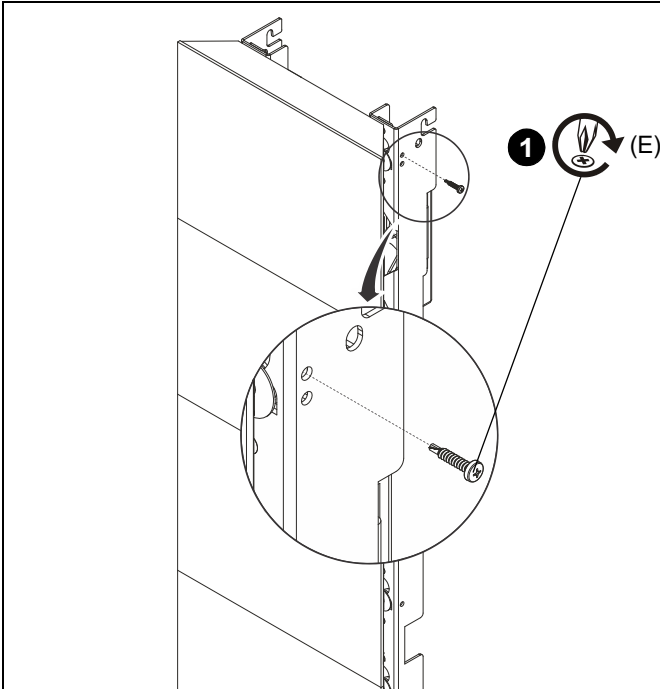


Figure 18

Side Cover Installation (Optional)

Side Covers (not included) can be installed to outer uprights using stability hardware (N and P).

1. Install two 1/4-20 x 1/2" Phillips screws (N) and two stability spacers (P) to side of main assembly (A). (See Figure 19)
2. Hang side covers (not included) onto screws (N). (See Figure 19)

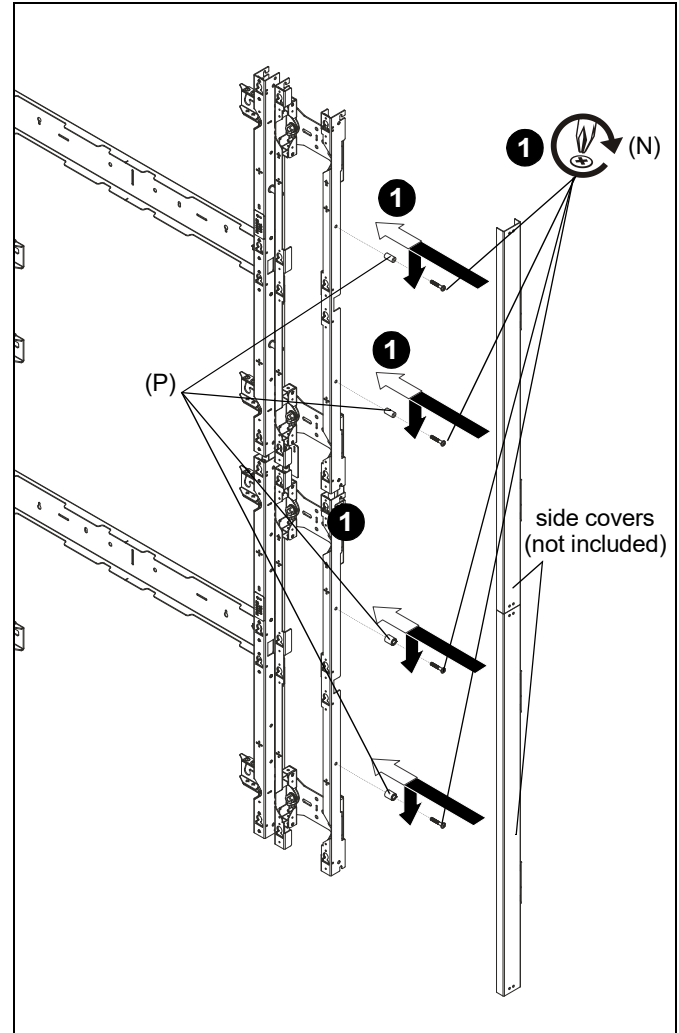
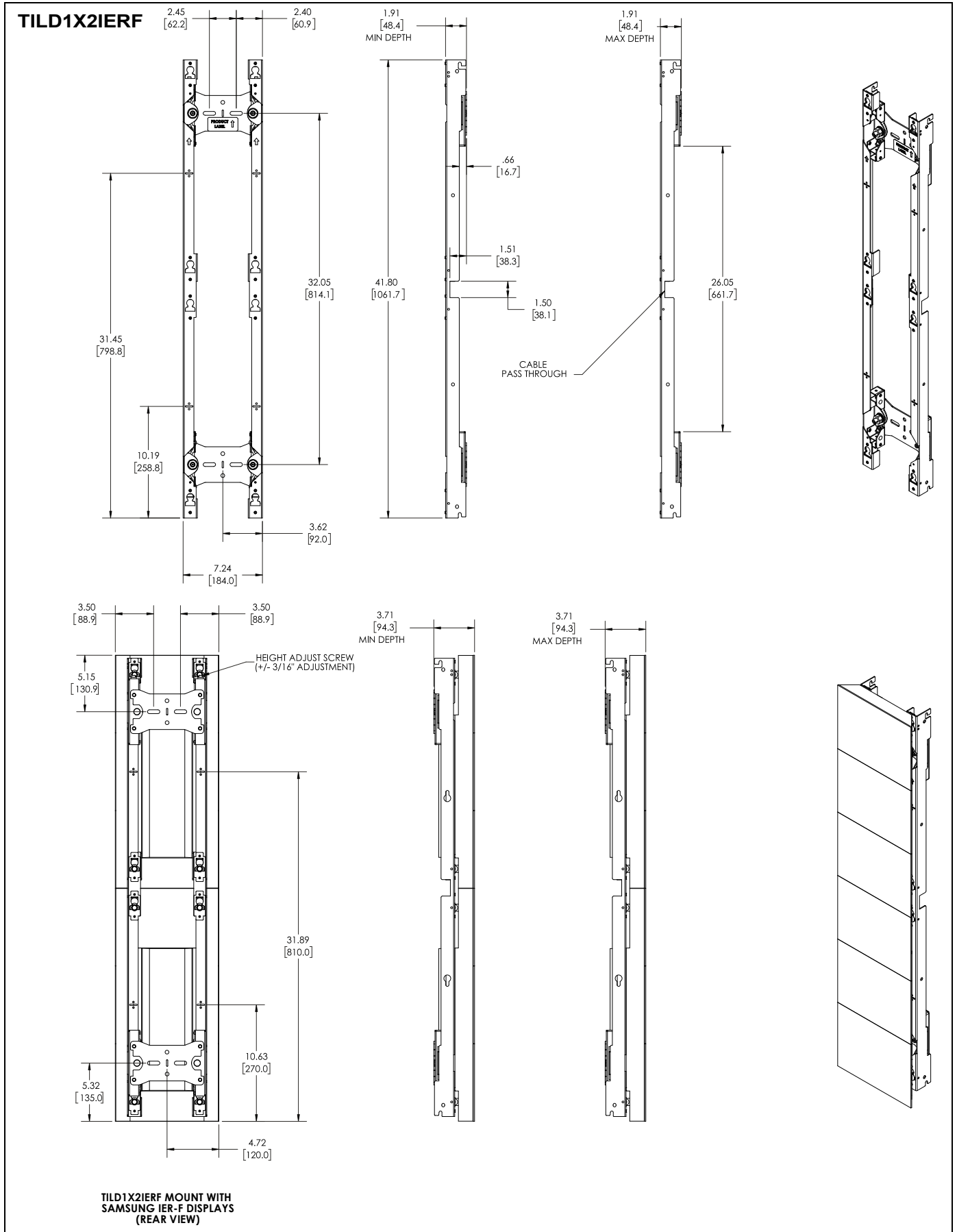
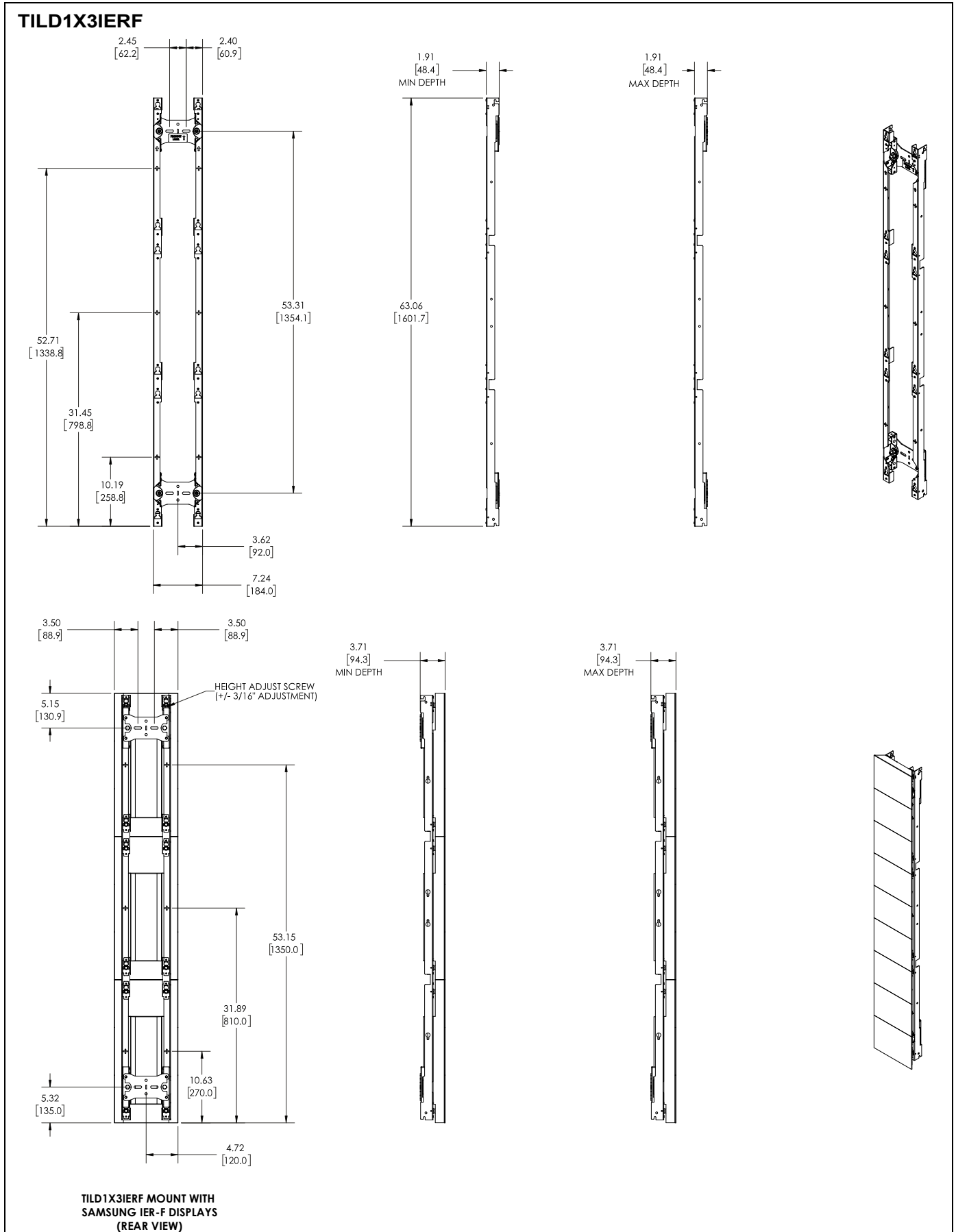


Figure 19

DIMENSIONS







A brand of  **legrand**[®]

8800-003325 Rev01
©2022 Legrand | AV
www.legrandav.com
02/2022

USA/International	A 6436 City West Parkway, Eden Prairie, MN 55344
	P 800.582.6480 / 952.225.6000
	F 877.894.6918 / 952.894.6918
Europe	A Franklinstraat 14, 6003 DK Weert, Netherlands
	P +31 (0) 495 580 852
	F +31 (0) 495 580 845
Asia Pacific	A Office No. 918 on 9/F, Shatin Galleria 18-24 Shan Mei Street Fotan, Shatin, Hong Kong
	P 852 2145 4099
	F 852 2145 4477

