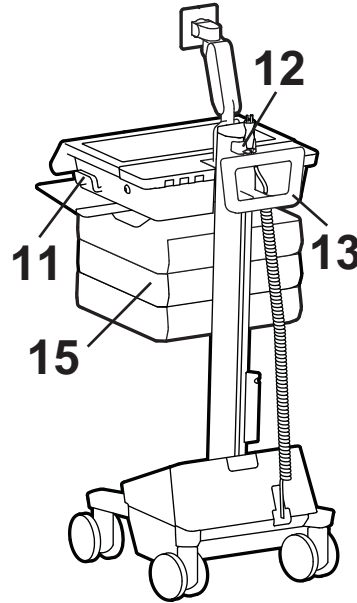
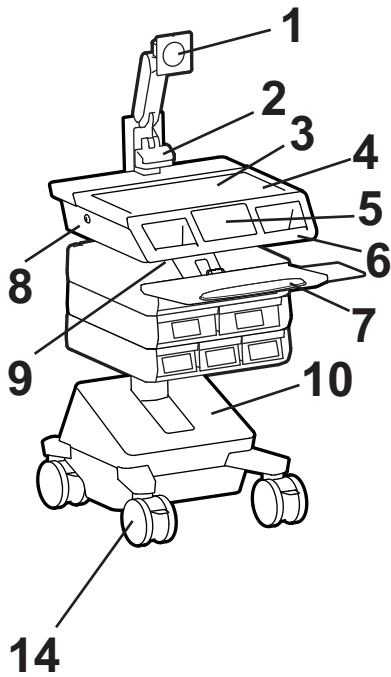


# mosaic™

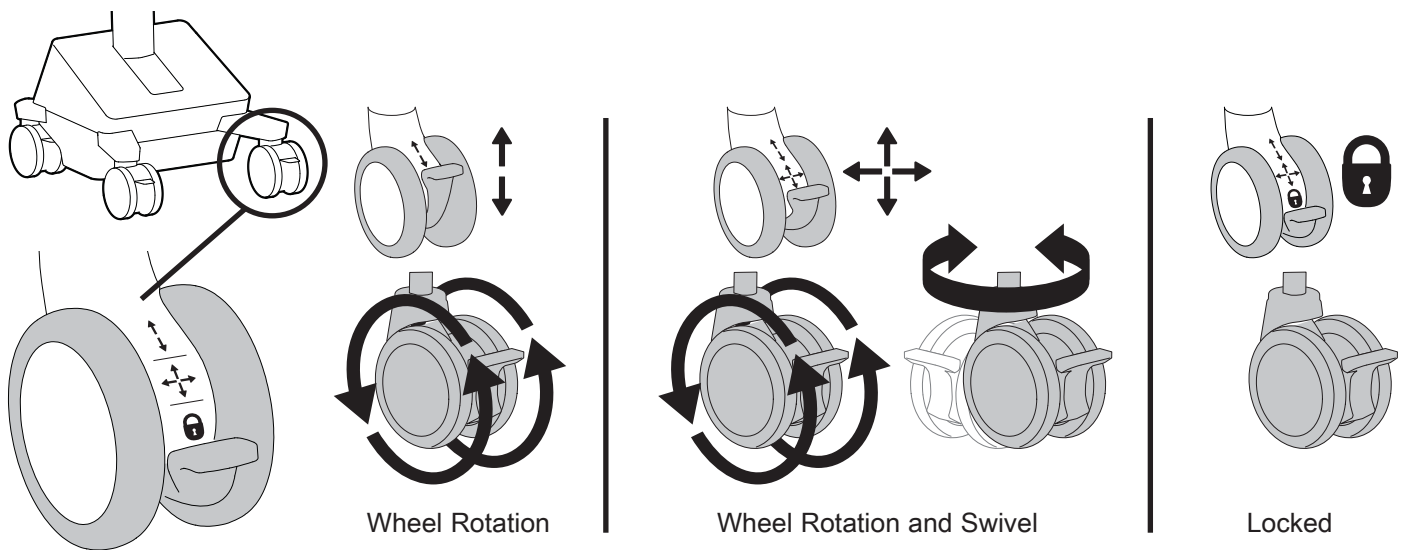
## Mobile Workstation Powered (AC or DC), LCD

### FEATURES



1. LCD Mount for LCDs or Tablet PC's with 75x75 or 100x100 mm Mounting Interface Provides Lift, Tilt, Pan, and P/L Rotation, with option to: lock P/L Rotation
2. Worksurface light with USB charging port
3. Worksurface with removable document cover
4. Badge Scanning location for customer supplied RFID
5. Touch Screen Control Panel Controls all Lights, Power System on/off, Displays Battery Charge Levels, and provides Low Battery Charge warning. Refer to Software User Guide for instructions.
6. Front Handle
7. Keyboard Tray, mouse pouch, and Wrist Rest. Slides Out, Pans, and Allows for Right or Left Mousing
8. Secure Storage for CPU, Cable Management, Excess Cables, 3 Port USB Hub, 4 Power Cord Receptacles for AC or 3 Channels for DC, and Removable Top/Worksurface
9. Keyboard Lights
10. Internal Battery
11. Height Adjustment Brake Release
12. Power Cord and Hook
13. Rear Handle
14. Four Locking Casters with one 3 Function Caster - Locks Swivel or Rotation and Swivel
15. Optional Auto-Lock Drawers

3 Function Caster



Download additional resources at [ergotron.com](http://ergotron.com)

USA & Canada Sales & Corporate Headquarters: St. Paul, MN USA / 800.888.8458 / +1.651.681.7600 / [insidesales@ergotron.com](mailto:insidesales@ergotron.com)

EMEA Sales: Amersfoort, The Netherlands / +31.33.45.45.600 / [info.eu@ergotron.com](mailto:info.eu@ergotron.com)

APAC Sales: Sydney, Australia / [apaccustomerservice@ergotron.com](mailto:apaccustomerservice@ergotron.com)

LATAM Sales: [info.latam@ergotron.com](mailto:info.latam@ergotron.com)

Worldwide Custom Sales: [custom@ergotron.com](mailto:custom@ergotron.com)

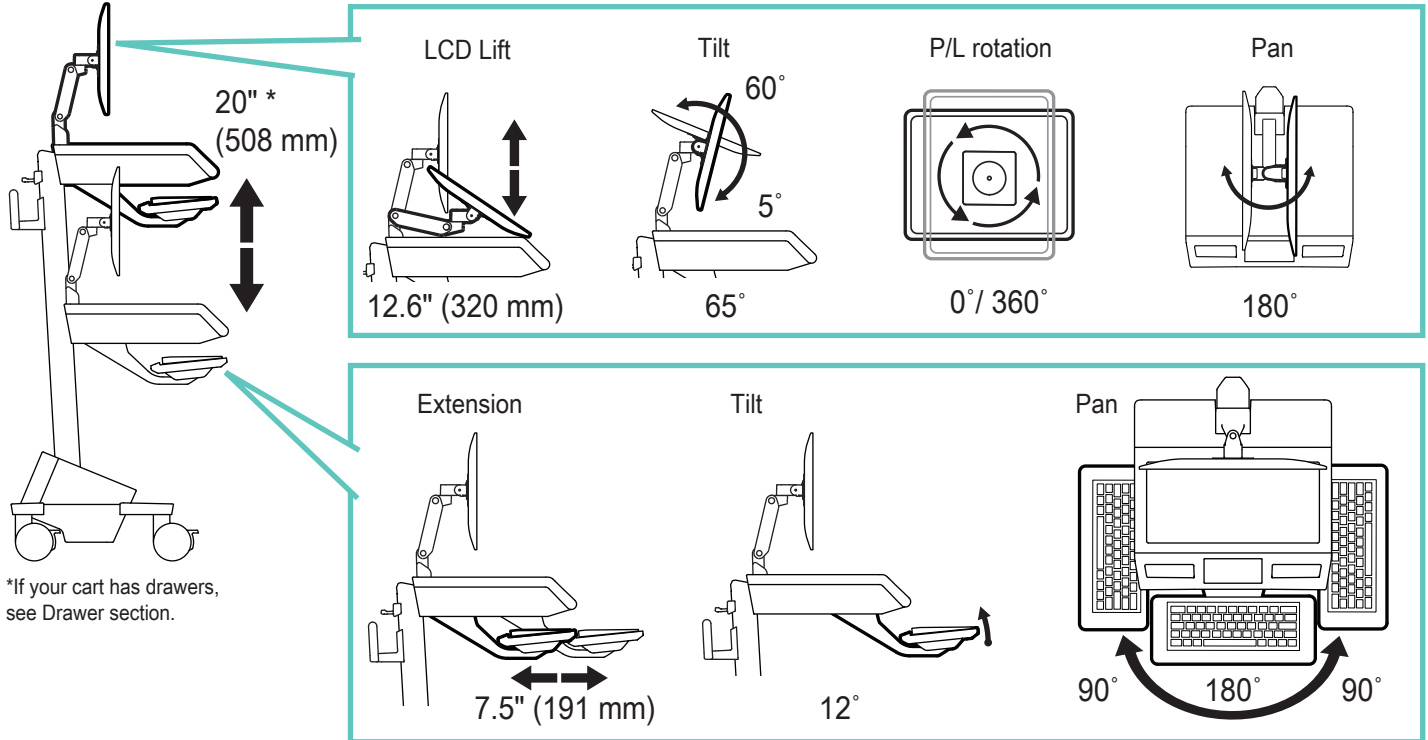
Ergotron devices are not intended to cure, treat, mitigate or prevent any disease. Patent information available at [www.ergotron.com/patents](http://www.ergotron.com/patents)

© 2026 Ergotron, Inc. rev. 03/10/2026 DIM-MosaicARMpwr **Content is subject to change without notification**

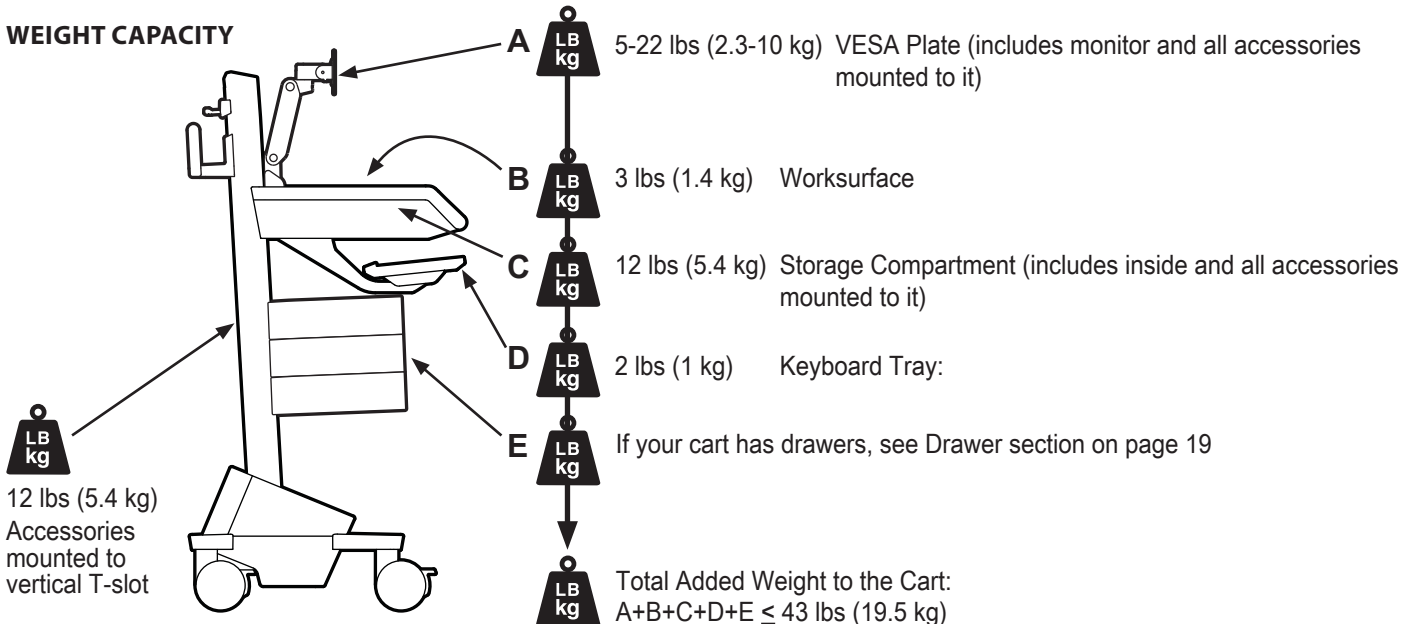
# mosaic™

## Mobile Workstation Powered (AC or DC), LCD

### RANGE OF MOTION



### WEIGHT CAPACITY



Download additional resources at [ergotron.com](http://ergotron.com)

USA & Canada Sales & Corporate Headquarters: St. Paul, MN USA / 800.888.8458 / +1.651.681.7600 / [insidesales@ergotron.com](mailto:insidesales@ergotron.com)

EMEA Sales: Amersfoort, The Netherlands / +31.33.45.45.600 / [info.eu@ergotron.com](mailto:info.eu@ergotron.com)

APAC Sales: Sydney, Australia / [apaccustomerservice@ergotron.com](mailto:apaccustomerservice@ergotron.com)

LATAM Sales: [info.latam@ergotron.com](mailto:info.latam@ergotron.com)

Worldwide Custom Sales: [custom@ergotron.com](mailto:custom@ergotron.com)

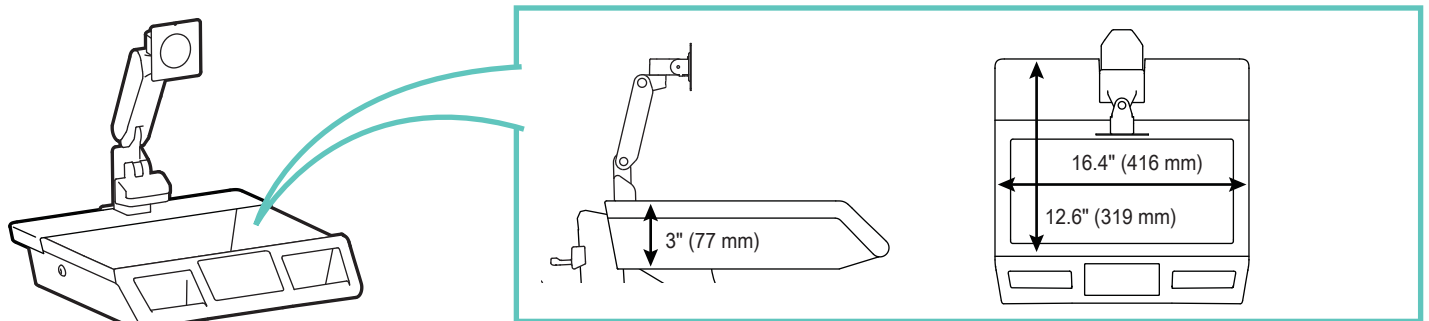
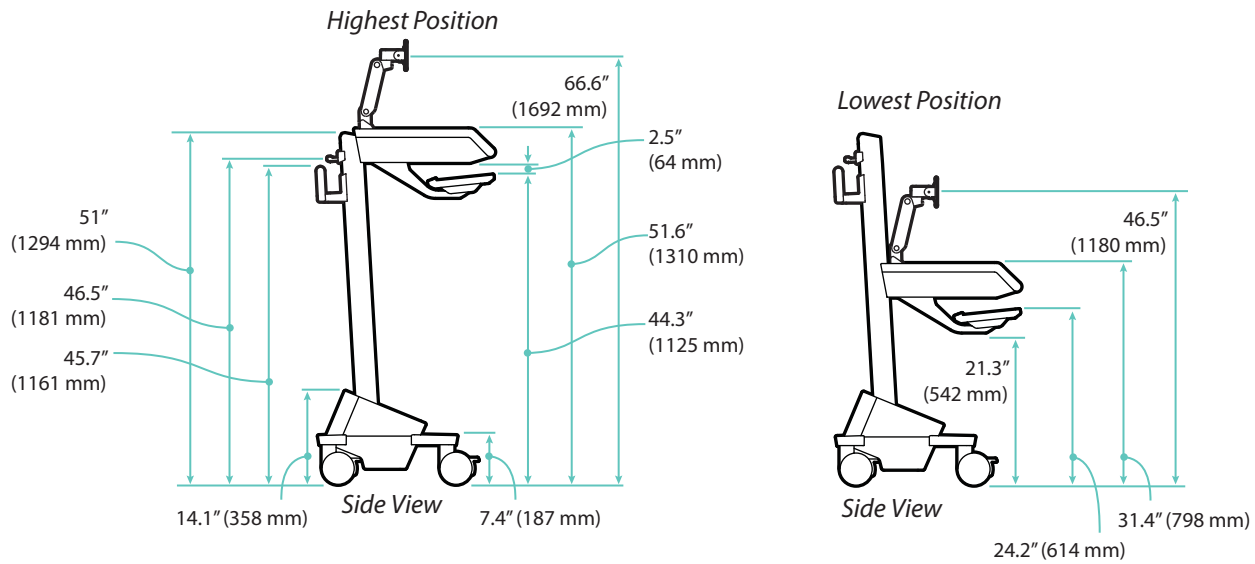
Ergotron devices are not intended to cure, treat, mitigate or prevent any disease. Patent information available at [www.ergotron.com/patents](http://www.ergotron.com/patents)

© 2026 Ergotron, Inc. rev. 03/10/2026 DIM-MosaicARMpwr **Content is subject to change without notification**

# mosaic™

## Mobile Workstation Powered (AC or DC), LCD

**DIMENSIONS**



Download additional resources at [ergotron.com](http://ergotron.com)

USA & Canada Sales & Corporate Headquarters: St. Paul, MN USA / 800.888.8458 / +1.651.681.7600 / [insidesales@ergotron.com](mailto:insidesales@ergotron.com)

EMEA Sales: Amersfoort, The Netherlands / +31.33.45.45.600 / [info.eu@ergotron.com](mailto:info.eu@ergotron.com)

APAC Sales: Sydney, Australia / [apaccustomerservice@ergotron.com](mailto:apaccustomerservice@ergotron.com)

LATAM Sales: [info.latam@ergotron.com](mailto:info.latam@ergotron.com)

Worldwide Custom Sales: [custom@ergotron.com](mailto:custom@ergotron.com)

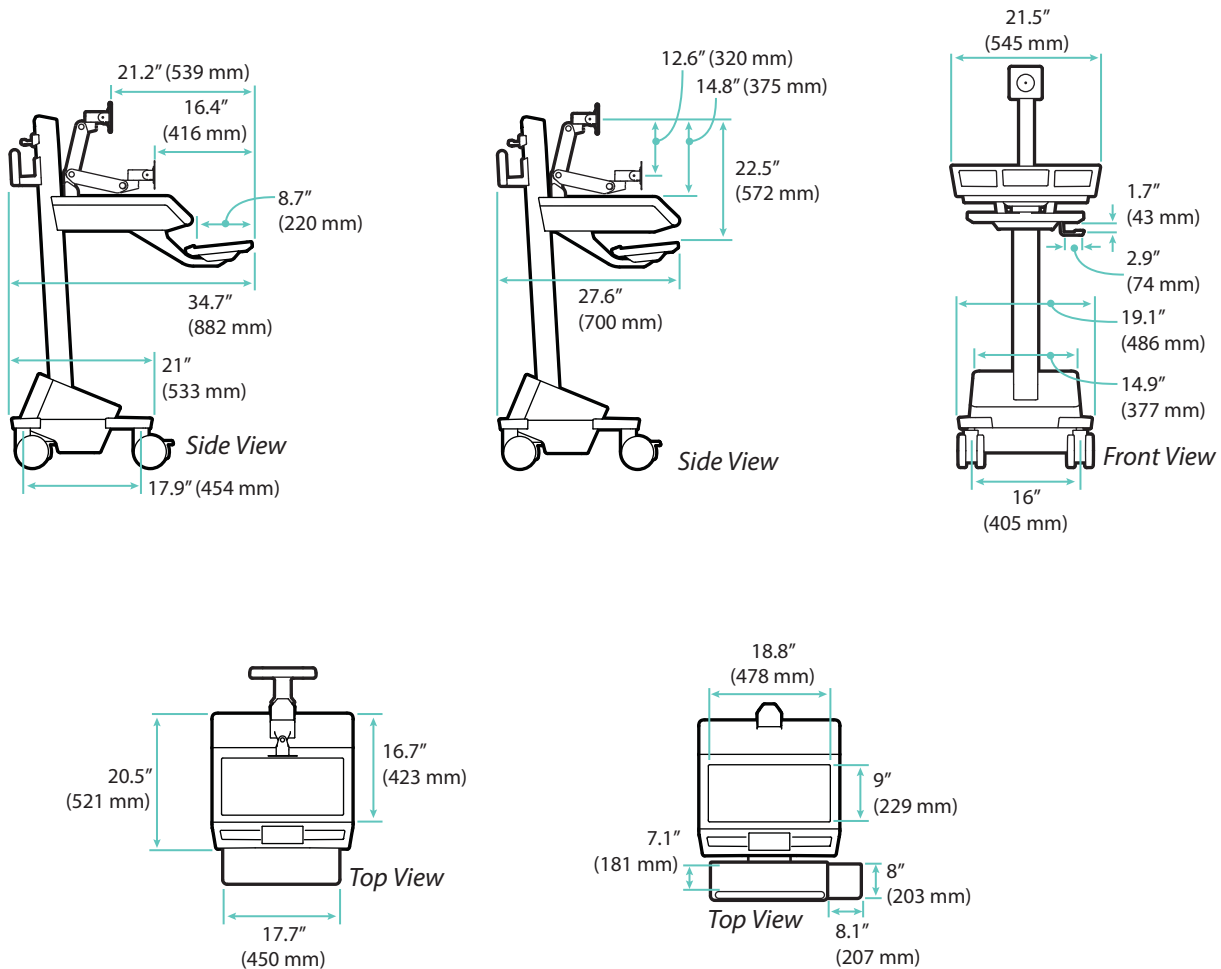
Ergotron devices are not intended to cure, treat, mitigate or prevent any disease. Patent information available at [www.ergotron.com/patents](http://www.ergotron.com/patents)

© 2026 Ergotron, Inc. rev. 03/10/2026 DIM-MosaicARMpwr **Content is subject to change without notification**

# mosaic™

## Mobile Workstation Powered (AC or DC), LCD

**DIMENSIONS**



Download additional resources at [ergotron.com](http://ergotron.com)

USA & Canada Sales & Corporate Headquarters: St. Paul, MN USA / 800.888.8458 / +1.651.681.7600 / [insidesales@ergotron.com](mailto:insidesales@ergotron.com)

EMEA Sales: Amersfoort, The Netherlands / +31.33.45.45.600 / [info.eu@ergotron.com](mailto:info.eu@ergotron.com)

APAC Sales: Sydney, Australia / [apaccustomerservice@ergotron.com](mailto:apaccustomerservice@ergotron.com)

LATAM Sales: [info.latam@ergotron.com](mailto:info.latam@ergotron.com)

Worldwide Custom Sales: [custom@ergotron.com](mailto:custom@ergotron.com)

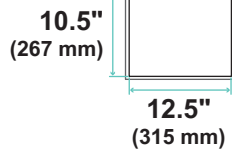
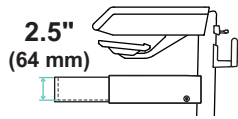
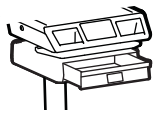
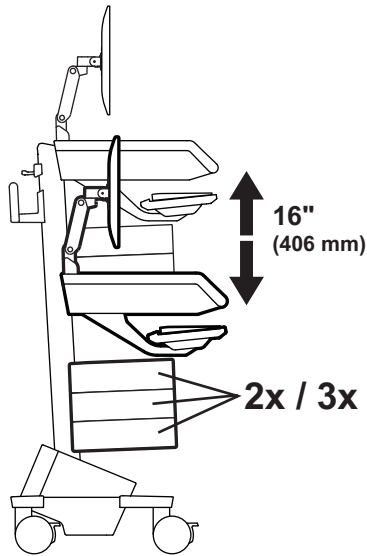
Ergotron devices are not intended to cure, treat, mitigate or prevent any disease. Patent information available at [www.ergotron.com/patents](http://www.ergotron.com/patents)

© 2026 Ergotron, Inc. rev. 03/10/2026 DIM-MosaicARMpwr **Content is subject to change without notification**

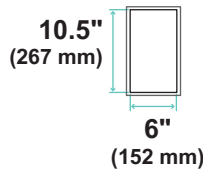
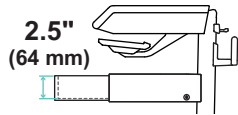
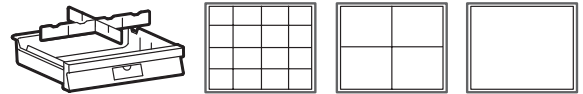
## mosaic™

### Mobile Workstation Powered (AC or DC), LCD

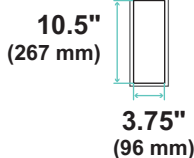
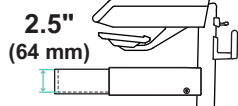
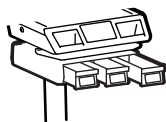
#### DRAWERS



**LB kg** Total weight capacity per drawer.  
≤ 2 lbs (1 kg)



**LB kg** Total weight capacity per drawer.  
≤ 1 lbs (0.5 kg)



**LB kg** Total weight capacity per drawer.  
≤ 0.25 lbs (0.1 kg)



Download additional resources at [ergotron.com](http://ergotron.com)

USA & Canada Sales & Corporate Headquarters: St. Paul, MN USA / 800.888.8458 / +1.651.681.7600 / [insidesales@ergotron.com](mailto:insidesales@ergotron.com)

EMEA Sales: Amersfoort, The Netherlands / +31.33.45.45.600 / [info.eu@ergotron.com](mailto:info.eu@ergotron.com)

APAC Sales: Sydney, Australia / [apaccustomerservice@ergotron.com](mailto:apaccustomerservice@ergotron.com)

LATAM Sales: [info.latam@ergotron.com](mailto:info.latam@ergotron.com)

Worldwide Custom Sales: [custom@ergotron.com](mailto:custom@ergotron.com)

Ergotron devices are not intended to cure, treat, mitigate or prevent any disease. Patent information available at [www.ergotron.com/patents](http://www.ergotron.com/patents)

© 2026 Ergotron, Inc. rev. 03/10/2026 DIM-MosaicARMpwr **Content is subject to change without notification**